



Dimension A&B

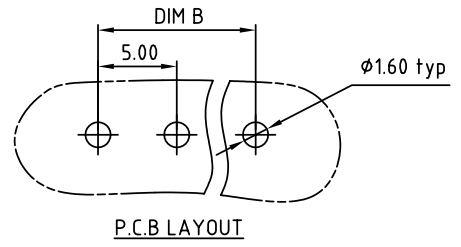
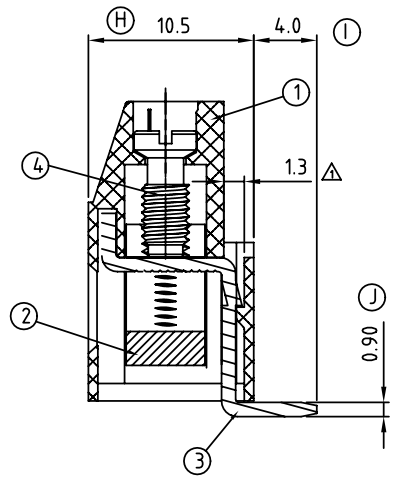
DIM A	N×5.0
DIM B	(N-1)×5.0

N=Number of contacts

Poles	A&B Tolerance
2P-8P	±0.15
9P-14P	±0.25
15P-20P	±0.35
21P-24P	±0.40



N=Number of contacts



P.C.B LAYOUT

SIGN	DATE	DESCRIPTION	APPROVER
△	3/22'06	Hole size changed from 0.5mm to 1.3mm	Tony
△	01/12'07	Soldering temperature changed from 245° to 250°	Tason
△	01/12'07	Part NO is Changed	Tason
△	08/28'08	Construction is change	Seamus
△	9/01'08	Operating temperature changed from -30°C/+105°C to -40°C/+115°C	Seamus
△	10/26'09	Wire guard solder pin is Changed from Brass to Copper	Aaron
△	11/09'10	Add is " VDE "	Aaron

THIS IS CAD DRAWING, DO NOT REVISE MANUALLY!!!

Material:

- Item 1 Terminal housing: Thermoplastic (UL 94V-0)
- Item 2 Clamp: Brass Ni plated
- Item 3 Wire guard solder pin: Copper, Tin plated
- Item 4 Terminal screw: Steel Zinc plating"-slot type

Electrical cULus / VDE

- Voltage rating : 300VAC / 450V
- Current rating : 20A / 24A
- Wire range : 0.2-2.5mm²
- Solid wire(AWG) : 12-30
- Stranded wire(AWG) : 12-30
- Torque : 3.5 Lb-In / 0.5 N.m
- Screw: M3
- Wire striping length: 6-7mm
- Withstanding Voltage: 1.6KV / 2.5KV

- △ ● Operating temperature: -40°C to +115°C
- △ ● Soldering temperature: 250°C±10°C/5 Sec
- Safety Approval:

VJ xx 01 x 0 xxxx G

		RoHS
		Pb<40,000ppm
No. of poles end stackable design	0 Black (RAL9005)	0000:"@ "Logo (Standard)
02 2 CONTACTS	2 Red (RAL3001/D)	000A:"ANYTEK"Logo
03 3 CONTACTS	3 Orange(RAL2011/P)	Any special item by customer request,
...	4 Yellow(RAL1018/A)	please contact sales department.
...	5 Green(RAL6018/T)	
24 24 CONTACTS	6 Blue (RAL5015/A)	
	8 Grey(RAL7035/D)	

<h1>ANYTEK</h1>		<h2>CUSTOMER COPY</h2>	
TITLE	VJ-5.0 Series 2P-24P Vertical (90D wire inlet)		
PART NO.	VJxx01x0xxxxG	DWG NO.	8VJ0002
APPROVED	CHECKED	DESIGNED	DRAWN
		Aaron 2010.11.09	Aaron 2009.10.26
SHEET: 01/01		UNIT: mm	Tolerance
SCALE: NONE		SCALE: NONE	X. ±0.50
REV: H		REV: H	X.X ±0.30
			X.XX ±0.10
			X* ±1°