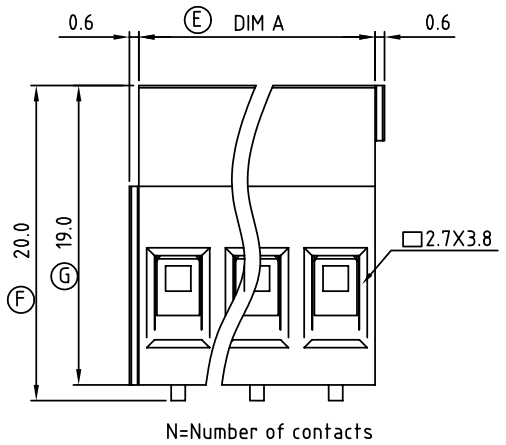


Dimension A&B

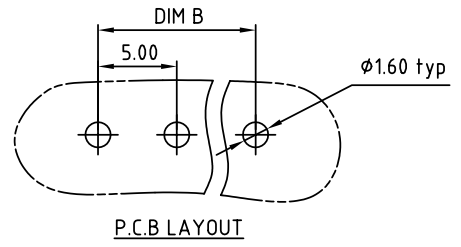
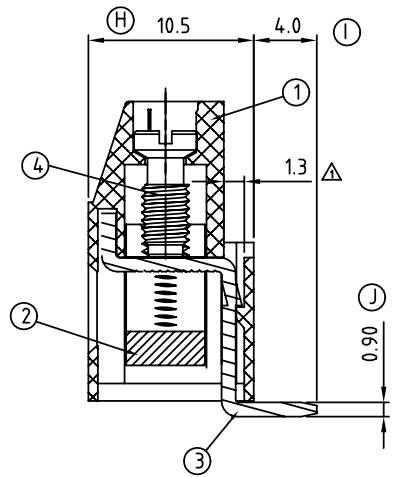
DIM A	N×5.0
DIM B	(N-1)×5.0

N=Number of contacts

Poles	A&B Tolerance
2P-8P	±0.15
9P-14P	±0.25
15P-20P	±0.35
21P-24P	±0.40



N=Number of contacts



SIGN	DATE	DESCRIPTION	APPROVER
△	3/22'06	Hole size changed from 0.5mm to 1.3mm	Tony
△	01/12'07	Soldering temperature changed from 245° to 250°	Tason
△	01/12'07	Part NO is Changed	Tason
△	08/28'08	Construction is change	Seamus
△	9/01'08	Operating temperature changed from -30°C/+105°C to -40°C/+115°C	Seamus
△	10/26'09	Wire guard solder pin is Changed from Brass to Copper	Aaron
△	11/09'10	Add is " VDE "	Aaron

THIS IS CAD DRAWING, DO NOT REVISE MANUALLY!!!

Material:

- Item 1 Terminal housing:Thermoplastic (UL 94V-0)
- Item 2 Clamp: Brass Ni plated
- Item 3 Wire guard solder pin: Copper, Tin plated
- Item 4 Terminal screw: Steel Zinc plating"-slot type

Electrical cULus / VDE

- Voltage rating : 300VAC / 450V
- Current rating : 20A / 24A
- Wire range : 0.2-2.5mm²
- Solid wire(AWG) : 12-30
- Stranded wire(AWG) : 12-30
- Torque : 3.5 Lb-In / 0.5 N.m
- Screw: M3
- Wire strip length: 6-7mm
- Withstanding Voltage: 1.6KV / 2.5KV

- △ ● Operating temperature: -40°C to +115°C
- △ ● Soldering temperature: 250°C±10°C/5 Sec
- Safety Approval:

VJ xx 01 x 0 xxxx G

		RoHS
No. of poles end stackable design	0 Black (RAL9005)	0000:"@ "Logo (Standard)
02 2 CONTACTS	2 Red (RAL3001/D)	000A:"ANYTEK"Logo
03 3 CONTACTS	3 Orange(RAL2011/P)	Any special item by customer request,
...	4 Yellow(RAL1018/A)	please contact sales department.
24 24 CONTACTS	5 Green(RAL6018/T)	
	6 Blue (RAL5015/A)	
	8 Grey(RAL7035/D)	

ANYTEK		CUSTOMER COPY	
ALL RIGHTS RESERVED. REPRODUCTION OR ISSUE TO THRD PARTIES IN ANY FORM WHATEVER IS NOT PERMITTED WITHOUT WRITTEN AUTHORITY FROM THE PROPRIETOR. PROPERTY OF ANYTEK TECHNOLOGY CO., LTD			
TITLE	VJ-5.0 Series 2P-24P Vertical (90D wire inlet)		
PART NO.	VJxx01x0xxxxG	DWG NO.	8VJ0002
APPROVED	CHECKED	DESIGNED	DRAWN
		Aaron 2010.11.09	Aaron 2009.10.26
SHEET: 01/01		UNIT: mm	Tolerance
SCALE: NONE		SCALE: NONE	X. ±0.50
REV.: H		REV.: H	X.X ±0.30
			X.XX ±0.10
			X* ±1°