



Dimension A&B

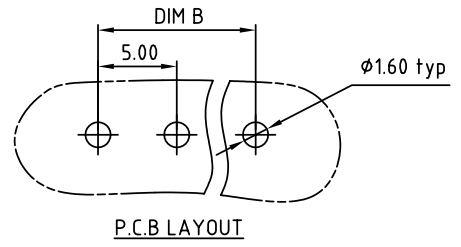
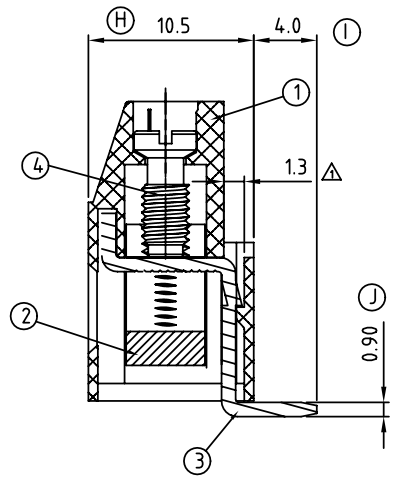
| | |
|-------|-----------|
| DIM A | N×5.0 |
| DIM B | (N-1)×5.0 |

N=Number of contacts

| Poles | A&B Tolerance |
|---------|---------------|
| 2P-8P | ±0.15 |
| 9P-14P | ±0.25 |
| 15P-20P | ±0.35 |
| 21P-24P | ±0.40 |



N=Number of contacts



| SIGN | DATE | DESCRIPTION | APPROVER |
|------|----------|---|----------|
| △ | 3/22'06 | Hole size changed from 0.5mm to 1.3mm | Tony |
| △ | 01/12'07 | Soldering temperature changed from 245° to 250° | Tason |
| △ | 01/12'07 | Part NO is Changed | Tason |
| △ | 08/28'08 | Construction is change | Seamus |
| △ | 9/01'08 | Operating temperature changed from -30°C/+105°C to -40°C/+115°C | Seamus |
| △ | 10/26'09 | Wire guard solder pin is Changed from Brass to Copper | Aaron |
| △ | 11/09'10 | Add is " VDE " | Aaron |

THIS IS CAD DRAWING, DO NOT REVISE MANUALLY!!!

Material:

- Item 1 Terminal housing: Thermoplastic (UL 94V-0)
- Item 2 Clamp: Brass Ni plated
- Item 3 Wire guard solder pin: Copper, Tin plated
- Item 4 Terminal screw: Steel Zinc plating"-slot type

Electrical cULus / VDE

- Voltage rating : 300VAC / 450V
- Current rating : 20A / 24A
- Wire range : 0.2-2.5mm²
- Solid wire(AWG) : 12-30
- Stranded wire(AWG) : 12-30
- Torque : 3.5 Lb-In / 0.5 N.m
- Screw: M3
- Wire striping length: 6-7mm
- Withstanding Voltage: 1.6KV / 2.5KV

- △ ● Operating temperature: -40°C to +115°C
- △ ● Soldering temperature: 250°C±10°C/5 Sec
- Safety Approval:

VJ xx 01 x 0 xxxx G

| | | RoHS |
|-----------------------------------|---------------------|---------------------------------------|
| No. of poles end stackable design | 0 Black (RAL9005) | 0000:"@"Logo (Standard) |
| 02 2 CONTACTS | 2 Red (RAL3001/D) | 000A:"ANYTEK"Logo |
| 03 3 CONTACTS | 3 Orange(RAL2011/P) | Any special item by customer request, |
| ... | 4 Yellow(RAL1018/A) | please contact sales department. |
| 24 24 CONTACTS | 5 Green(RAL6018/T) | |
| | 6 Blue (RAL5015/A) | |
| | 8 Grey(RAL7035/D) | |

| | | | |
|--|--|----------------------|---------------------|
| ANYTEK | | CUSTOMER COPY | |
| ALL RIGHTS RESERVED. REPRODUCTION OR ISSUE TO THRD PARTIES IN ANY FORM WHATEVER IS NOT PERMITTED WITHOUT WRITTEN AUTHORITY FROM THE PROPRIETOR. PROPERTY OF ANYTEK TECHNOLOGY CO., LTD | | | |
| TITLE | VJ-5.0 Series 2P-24P Vertical (90D wire inlet) | | |
| PART NO. | VJxx01x0xxxxG | DWG NO. | 8VJ0002 |
| APPROVED | CHECKED | DESIGNED | DRAWN |
| | | Aaron 2010.11.09 | Aaron 2009.10.26 |
| SHEET: 01/01 | | UNIT: mm | Tolerance |
| SCALE: NONE | | SCALE: NONE | X. ±0.50 |
| REV.: H | | REV.: H | X.X ±0.30 |
| | | | X.XX ±0.10 |
| | | | X* ±1° |