

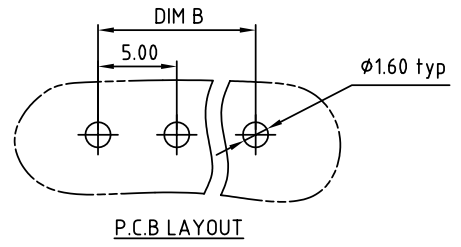
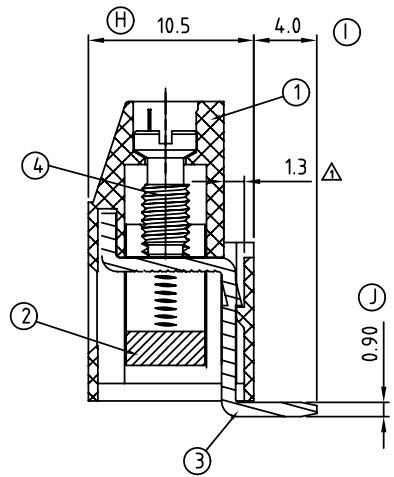


Dimension A&B

| | |
|-------|-----------|
| DIM A | N×5.0 |
| DIM B | (N-1)×5.0 |

N=Number of contacts

| Poles | A&B Tolerance |
|---------|---------------|
| 2P-8P | ±0.15 |
| 9P-14P | ±0.25 |
| 15P-20P | ±0.35 |
| 21P-24P | ±0.40 |



| SIGN | DATE | DESCRIPTION | APPROVER |
|------|----------|---|----------|
| △ | 3/22'06 | Hole size changed from 0.5mm to 1.3mm | Tony |
| △ | 01/12'07 | Soldering temperature changed from 245° to 250° | Tason |
| △ | 01/12'07 | Part NO is Changed | Tason |
| △ | 08/28'08 | Construction is change | Seamus |
| △ | 9/01'08 | Operating temperature changed from -30°C/+105°C to -40°C/+115°C | Seamus |
| △ | 10/26'09 | Wire guard solder pin is Changed from Brass to Copper | Aaron |
| △ | 11/09'10 | Add is " VDE " | Aaron |

THIS IS CAD DRAWING, DO NOT REVISE MANUALLY!!!

Material:

- Item 1 Terminal housing: Thermoplastic (UL 94V-0)
- Item 2 Clamp: Brass Ni plated
- Item 3 Wire guard solder pin: Copper, Tin plated
- Item 4 Terminal screw: Steel Zinc plating"-slot type

Electrical cULus / VDE

- Voltage rating : 300VAC / 450V
- Current rating : 20A / 24A
- Wire range : 0.2-2.5mm²
- Solid wire(AWG) : 12-30
- Stranded wire(AWG) : 12-30
- Torque : 3.5 Lb-In / 0.5 N.m
- Screw: M3
- Wire striping length: 6-7mm
- Withstanding Voltage: 1.6KV / 2.5KV

- △ ● Operating temperature: -40°C to +115°C
- △ ● Soldering temperature: 250°C±10°C/5 Sec
- Safety Approval:

VJ xx 01 x 0 xxxx G

| | | RoHS |
|-----------------------------------|---------------------|---------------------------------------|
| No. of poles end stackable design | 0 Black (RAL9005) | 0000:"@ "Logo (Standard) |
| 02 2 CONTACTS | 2 Red (RAL3001/D) | 000A:"ANYTEK"Logo |
| 03 3 CONTACTS | 3 Orange(RAL2011/P) | Any special item by customer request, |
| ... | 4 Yellow(RAL1018/A) | please contact sales department. |
| 24 24 CONTACTS | 5 Green(RAL6018/T) | |
| | 6 Blue (RAL5015/A) | |
| | 8 Grey(RAL7035/D) | |

Pb<40,000ppm

ANYTEK

CUSTOMER COPY

ALL RIGHTS RESERVED. REPRODUCTION OR ISSUE TO THRD PARTIES IN ANY FORM WHATEVER IS NOT PERMITTED WITHOUT WRITTEN AUTHORITY FROM THE PROPRIETOR. PROPERTY OF ANYTEK TECHNOLOGY CO., LTD

| | | | | | |
|----------|---------|--|---------------------|--------------|------------|
| TITLE | | VJ-5.0 Series 2P-24P Vertical (90D wire inlet) | | | |
| PART NO. | | VJxx01x0xxxxG | | DWG NO. | 8VJ0002 |
| APPROVED | CHECKED | DESIGNED | DRAWN | CUST NO. | |
| | | Aaron 2010.11.09 | Aaron 2009.10.26 | | |
| | | | | UNIT: mm | Tolerance |
| | | | | SCALE: NONE | X. ±0.50 |
| | | | | SHEET: 01/01 | X.X ±0.30 |
| | | | | REV.: H | X.XX ±0.10 |
| | | | | | X* ±1° |