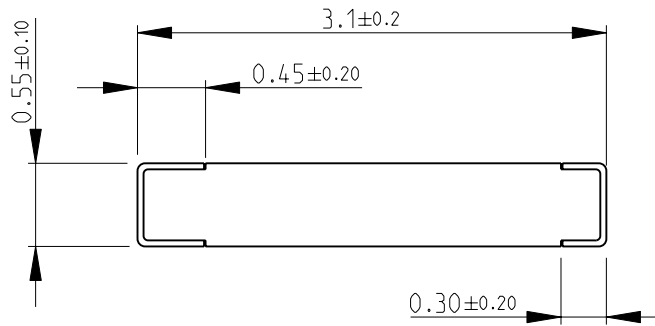
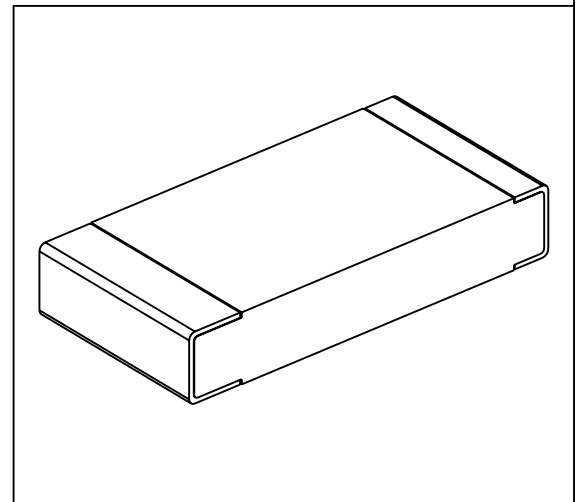


| LOC | DIST | REVISIONS   |             |           |      |      |
|-----|------|-------------|-------------|-----------|------|------|
| P   | LTR  | DESCRIPTION | DATE        | DWN       | APVD |      |
| E   | B    | BA          | NEW RELEASE | 24-Sep-08 | SM   | St.P |

FOR FURTHER INFORMATION SEE DATA SHEET FOR  
CPF SERIES-THIN FILM PRECISION CHIP RESISTORS



RoHS Compliant



2008

RELEASED FOR PUBLICATION

THIS DRAWING IS UNPUBLISHED.

BY TYCO ELECTRONICS CORPORATION. ALL RIGHTS RESERVED.

© COPYRIGHT 2008

|  |                   |                  |  |            |           |               |
|--|-------------------|------------------|--|------------|-----------|---------------|
| DIMENSIONS:<br>mm                      | DWN<br>SUBHASH.M  | 24-Sep-08        | MATERIAL   | -          | FINISH    | -             |
|  | CHK<br>PRAKASH.S  | 24-Sep-08        | Tyco Electronics Corporation<br>Dorcan, Swindon, SN3 5HH   |            |           |               |
| TOLERANCES UNLESS OTHERWISE SPECIFIED: | APVD<br>STEPHEN.P | 24-Sep-08        |  |            |           |               |
| 0 PLC ±0.2                             | PRODUCT SPEC      | -                | NAME THIN FILM PRECISION CHIP RESISTORS<br>SERIES CPF 1206 |            |           |               |
| 1 PLC ±0.1                             | APPLICATION SPEC  | -                |  |            |           |               |
| 2 PLC ±-                               | WEIGHT            | -                | SIZE   | A 4        | CAGE CODE | 00779         |
| 3 PLC ±-                               | ±5°               | CUSTOMER DRAWING | DRAWING NO   | C= 1614965 |           | RESTRICTED TO |
| 4 PLC ±-                               |                   |                  | SCALE  | 20:1       | SHEET     | 1 OF 1        |
| ANGLES ±5°                             |                   |                  |  |            |           |               |