

REVISEMENTS		DATE	BY	APP'D
1	REVISED	25FEB10	RF	JM
2	REVISED	08APR10	RF	JM

1 SHELL & KEY RETENTION PLATE: ALUMINUM ALLOY
 QUARTER-TURN FASTENER: COPPER ALLOY PER ASTM B196
 INSERT RETENTION CLIP, CURVED WASHER & FASTENER RETENTION CLIP: COPPER ALLOY PER ASTM B194
 CAPTIVE SCREW: STAINLESS STEEL PER AISI 303
 SCREW RETENTION CLIPS: STAINLESS STEEL PER AISI 304
 PROTECTIVE COVER: THERMOPLASTIC ELASTOMER
 POLARIZATION KEY: PEI THERMOPLASTIC PER ASTM D5205

2 SHELL: ELECTROLESS NICKEL PER SAE AMS-C-26074, CLASS 1
 KEY RETENTION PLATE: ANODIZED, CLEAR

3 PART TO BE MARKED WITH TYCO ELECTRONICS PRODUCT IDENTIFIER, PART NUMBER AND DATE CODE (YYWW) IN APPROX. AREA SHOWN.

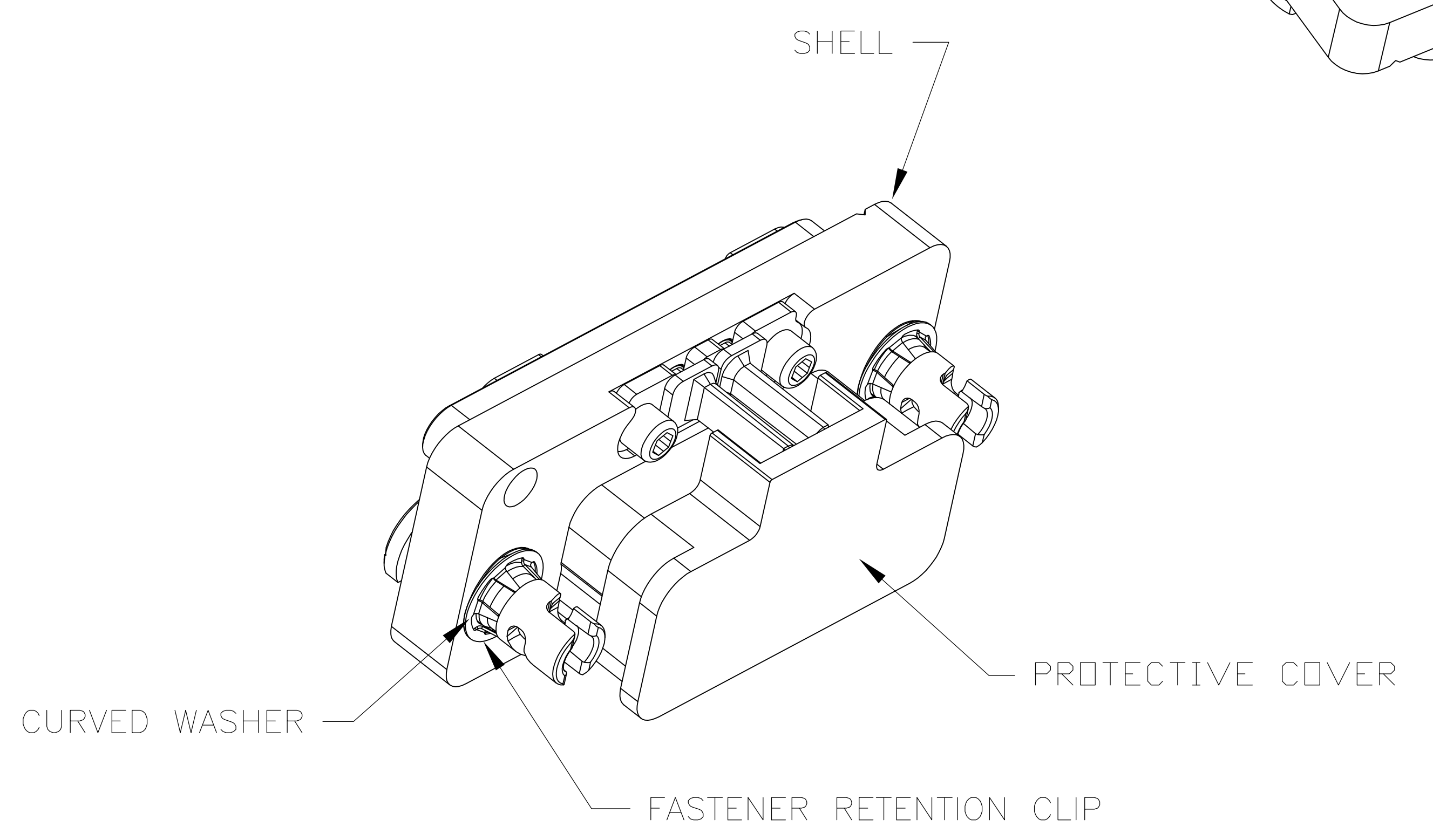
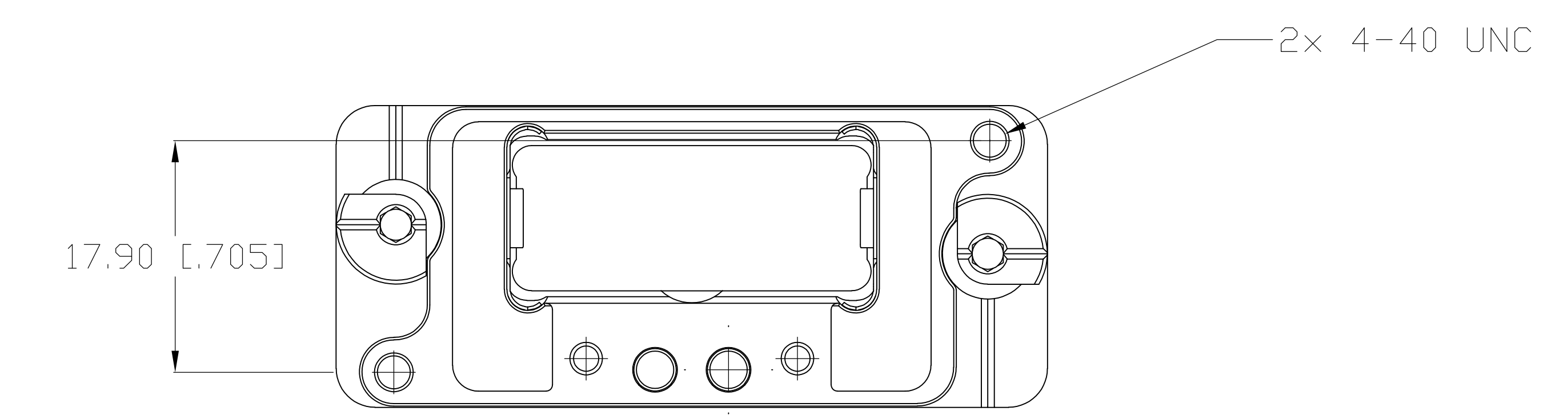
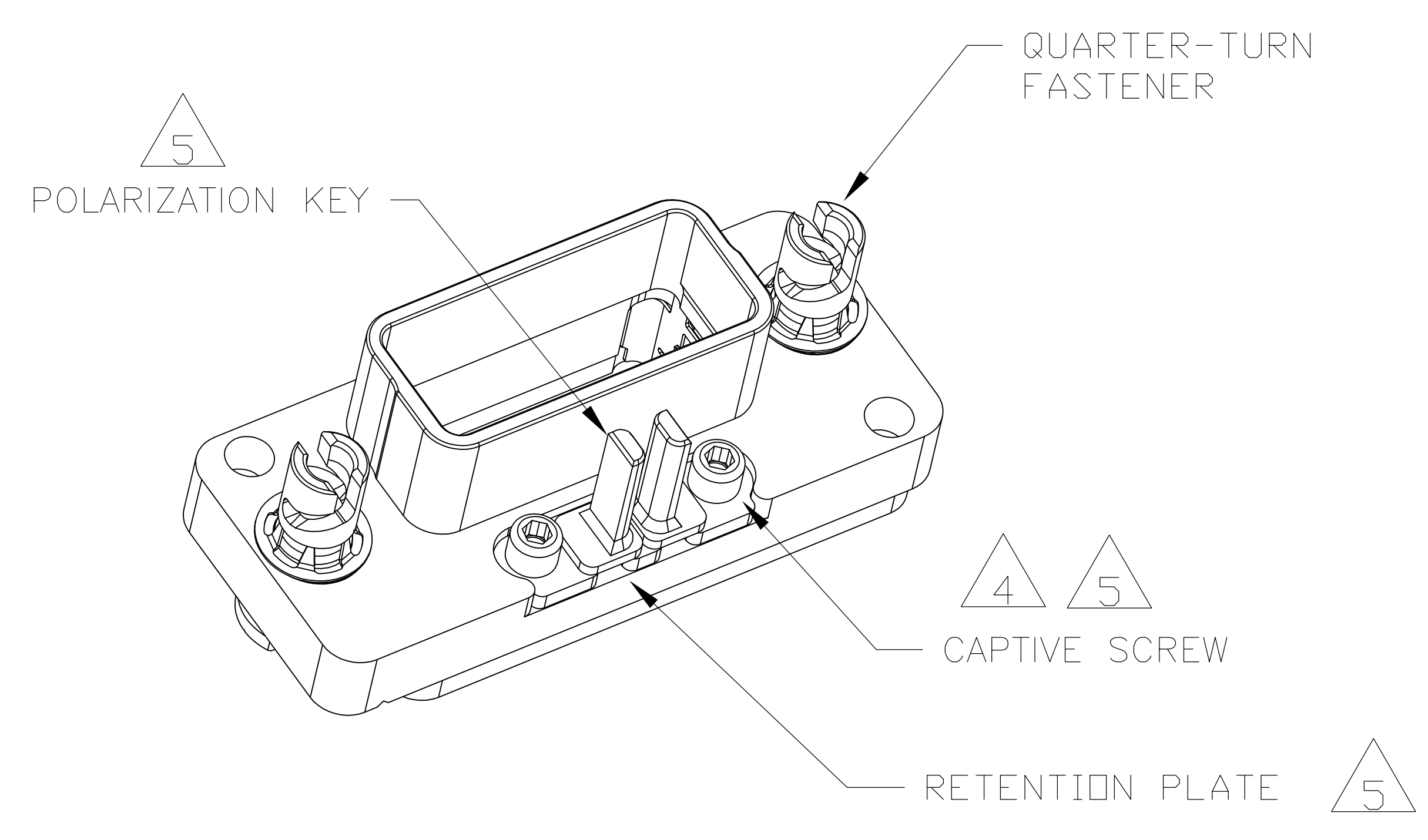
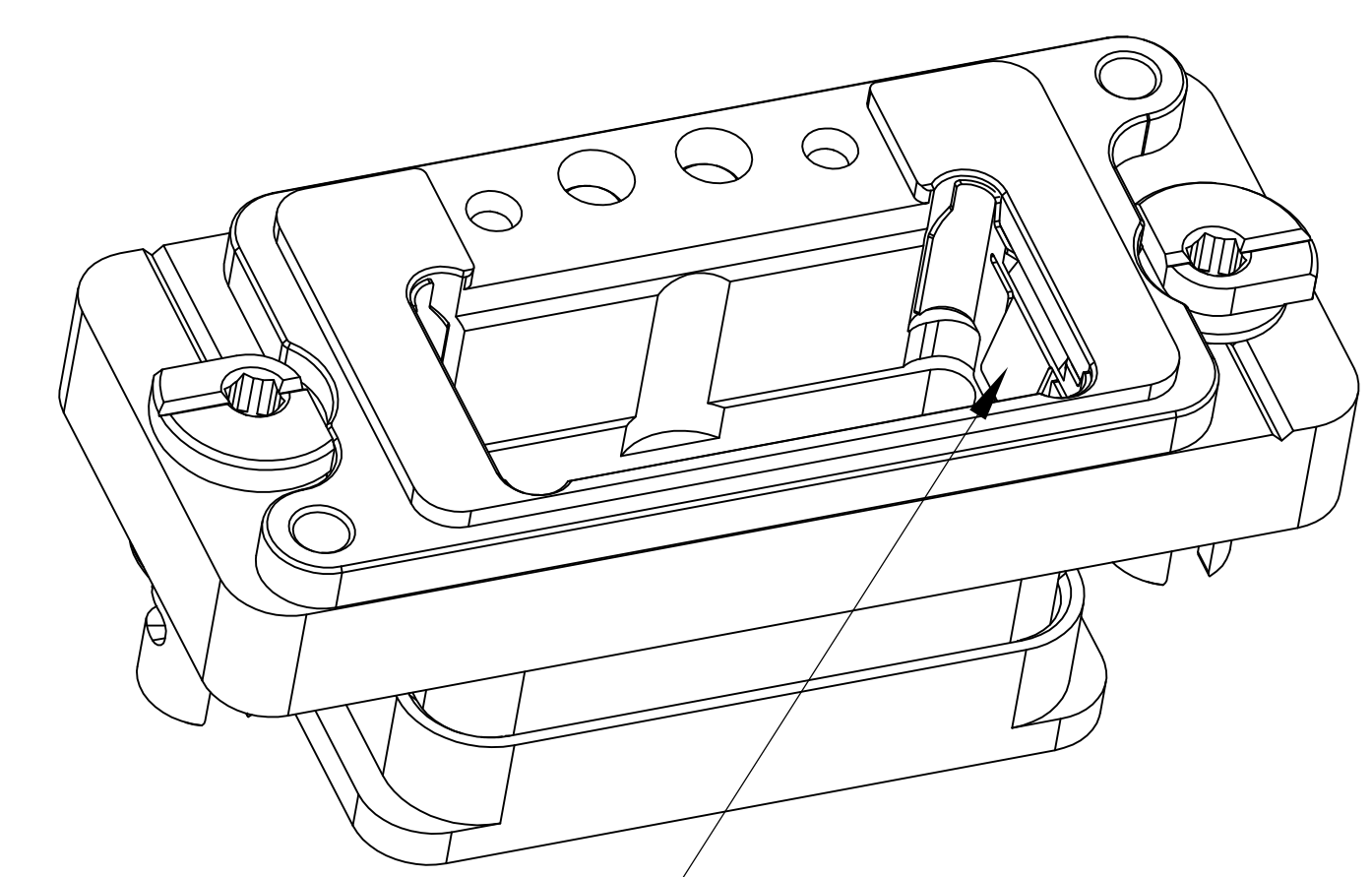
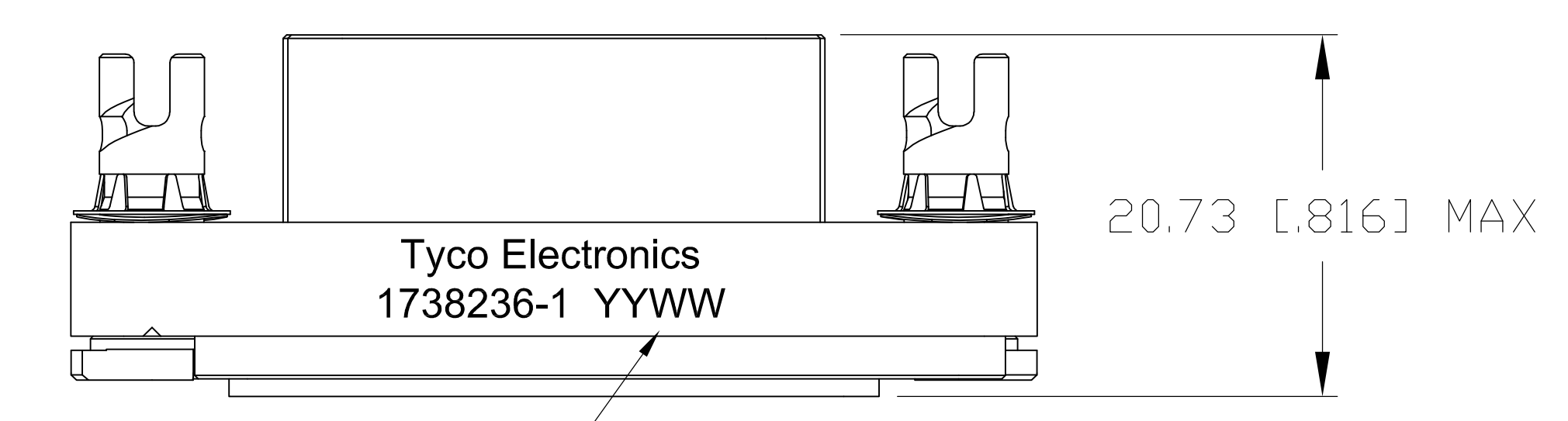
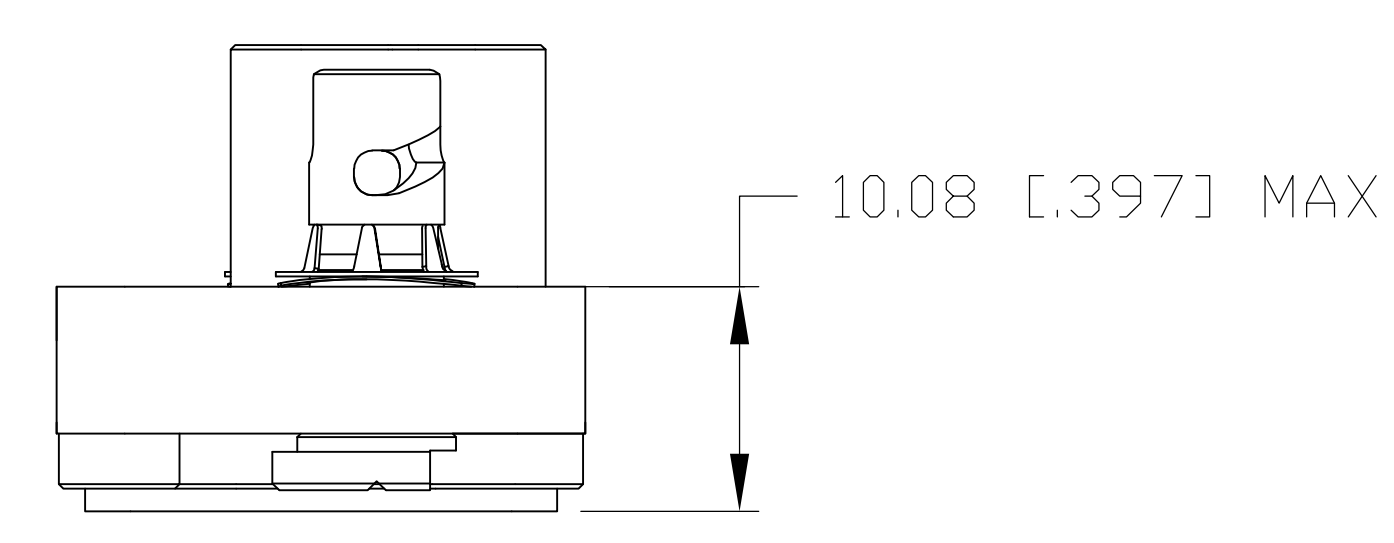
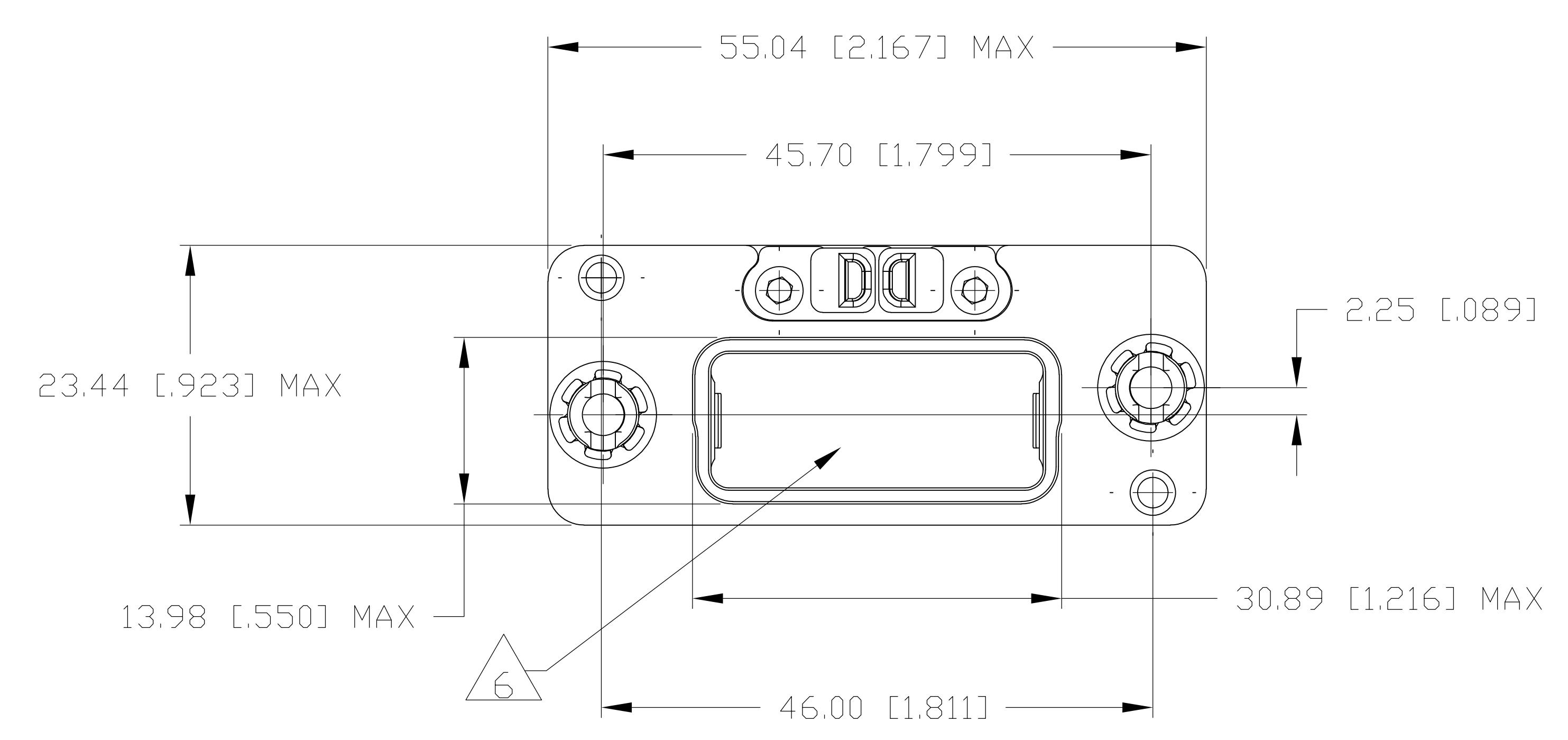
4 4-40 CAPTIVE SCREWS ON KEY RETENTION PLATE
 RECOMMENDED LOCKING TORQUE: 0.8 N.m [7in-lb]

5 THE POLARIZATION KEYS & RETENTION PLATE ARE SHIPPED UNASSEMBLED.

6 SHELL CAVITY FOR GPRB SERIES INSERTS WITH KEYING CODE A.

7. DESCRIPTIVE PART NUMBER: GPRB1PB04N
 SERIES: GPRB
 SHELL SIZE: 1 (SINGLE-CAVITY SHELL)
 SHELL STYLE: P (PLUG)
 MODIFICATION CODE: B (NO MOUNTING HOLES)
 LOCKING DEVICE: 0 (QUARTER-TURN FASTENER)
 POLARIZATION CODE: 4 (KIT, WITH POLARIZING HARDWARE UNASSEMBLED)
 SHELL PLATING: N (NICKEL PLATING)

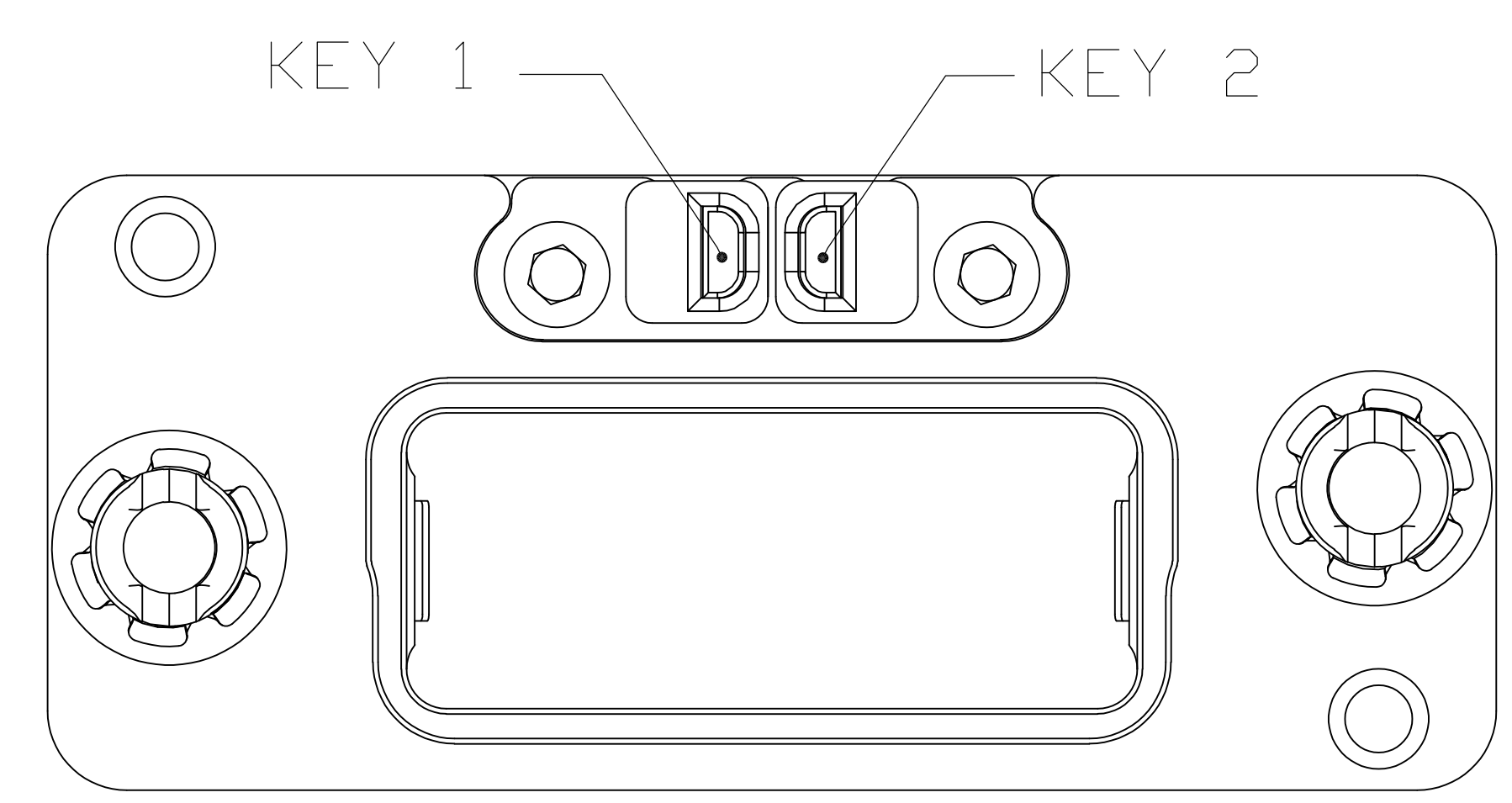
8. THIS PRODUCT IS SOLD BY TYCO ELECTRONICS UNDER A LICENSE FROM RADIAL SA.



THIS PRINT IS
PRELIMINARY
 UNQUALIFIED PRODUCT
 CONTACT PRODUCT ENGINEERING
 BEFORE USING THIS PRINT

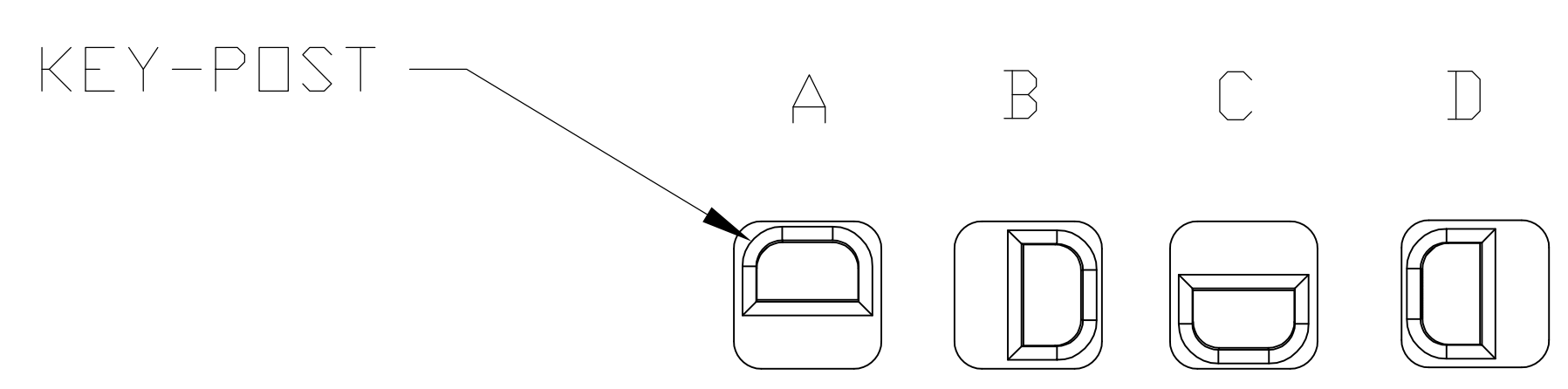
1738236-1
 PART NUMBER

THIS DRAWING IS A CONTROLLED DOCUMENT.		DATE	BY	APP'D
DIMENSIONS: mm (INCHES)		0	1	2
TOLERANCES UNLESS OTHERWISE SPECIFIED:		MATERIAL		
Ø	F. P.L.C.	TYCO ELECTRONICS		
+	F. P.L.C.	Tyco Electronics Corporation		
-	F. P.L.C.	Middletown, Pa. 17105-0625		
+	F. P.L.C.	PRODUCT SPEC		
-	F. P.L.C.	APPLICATION SPEC		
+	F. P.L.C.	SIZE		
-	F. P.L.C.	DRAWING NO.		
+	F. P.L.C.	RESTRICTED TO		
+	F. P.L.C.	CUSTOMER DRAWING		
SCALE: 2:1		SHEET 1 OF 2		REV 2



CODE NUMBER 08 SHOWN: B-D
 POLARIZATION KEY 1 ——— POLARIZATION KEY 2

PLUG CONNECTOR POLARIZATION



CODE NUMBER	KEY 1	KEY 2
01	A	A
02	A	B
03	A	C
04	A	D
05	B	A
06	B	B
07	B	C
08	B	D
09	C	A
10	C	B
11	C	C
12	C	D
13	D	A
14	D	B
15	D	C
16	D	D

KEY-POST ORIENTATION

THIS PRINT IS
PRELIMINARY
 UNQUALIFIED PRODUCT
 CONTACT PRODUCT ENGINEERING
 BEFORE USING THIS PRINT

1738236-1
 PART NUMBER

THIS DRAWING IS A CONTROLLED DOCUMENT.		DATE	REV	DESCRIPTION	DATE	OWN	APP'D
DIMENSIONS: mm (INCHES)		BY	CHK	DATE			
TOLERANCES UNLESS OTHERWISE SPECIFIED:		BY	CHK	DATE			
D. P.L.C. ± .005		BY	CHK	DATE			
F. P.L.C. ± .010		BY	CHK	DATE			
H. P.L.C. ± 0.13 (.005)		BY	CHK	DATE			
K. P.L.C. ± .005		BY	CHK	DATE			
M. P.L.C. ± .005		BY	CHK	DATE			
FINISH		BY	CHK	DATE			
MATERIAL		BY	CHK	DATE			
CUSTOMER DRAWING		BY	CHK	DATE			
SCALE		BY	CHK	DATE			
SHEET		BY	CHK	DATE			
REV		BY	CHK	DATE			