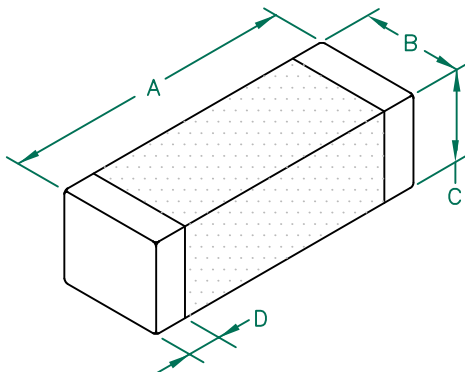


LI1806E101R-10

UNCONTROLLED DOCUMENT

PHYSICAL DIMENSIONS:

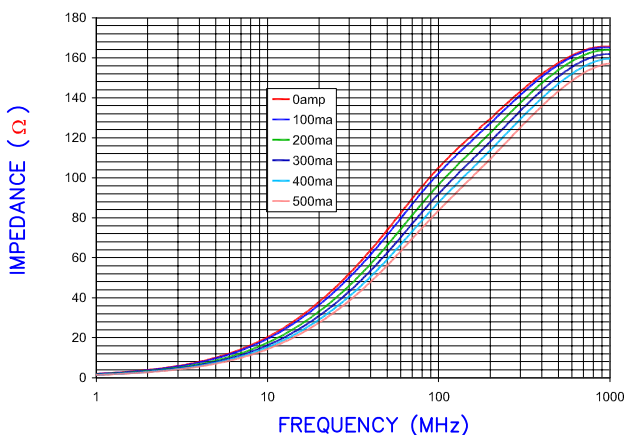
A	4.50 [.177]	+ 0.25 [.010]
B	1.60 [.063]	+ 0.25 [.010]
C	1.60 [.063]	+ 0.25 [.010]
D	0.51 [.020]	+ 0.25 [.010]



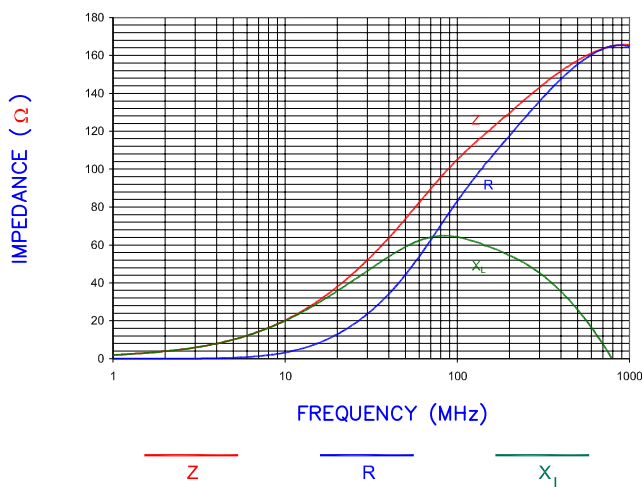
ELECTRICAL CHARACTERISTICS:

Z @ 100MHz (Ω)	DCR (Ω)	Rated Current
Nominal	100	
Minimum	75	
Maximum	125	0.30
		500 mA

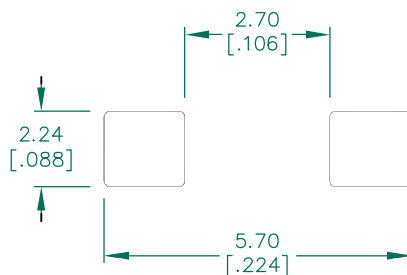
Z vs FREQUENCY
IMPEDANCE UNDER DC BIAS



|Z|, R, AND X vs. FREQUENCY

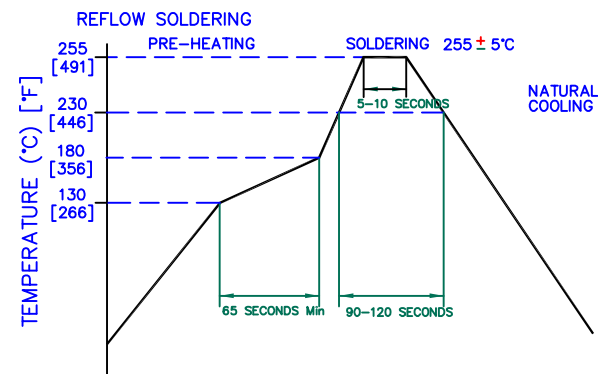


LAND PATTERNS FOR REFLOW SOLDERING



(For wave soldering, add 0.762 [.030] to this dimension.)

RECOMMENDED SOLDERING CONDITIONS



DIMENSIONS ARE IN mm [INCHES].				This print is the property of Laird Tech. and is loaned in confidence subject to return upon request and with the understanding that no copies shall be made without the written consent of Laird Tech. All rights to design or invention are reserved.			
D	ADD OPERATING TEMPERATURE UPDATE LAIRD LOGO AND REFLOW CURVE	08/05/13	QU	PROJECT/PART NUMBER:	LI1806E101R-10	REV	D
C	CHANGE REEL QTY FROM 3K TO 2K	11/05/08	JRK	PART TYPE:	CO-FIRE	DRAWN BY:	TMB
B	UPDATE COMPANY LOGO ADD ROHS SYM	07/22/08	JRK	DATE:	04/05/04	SCALE:	NTS
A	ORIGINAL DRAFT	04/05/04	TMB	CAD #	LI1806E101R-10-D	TOOL #	-
REV	DESCRIPTION	DATE	INT	SHEET: 2 of 2			