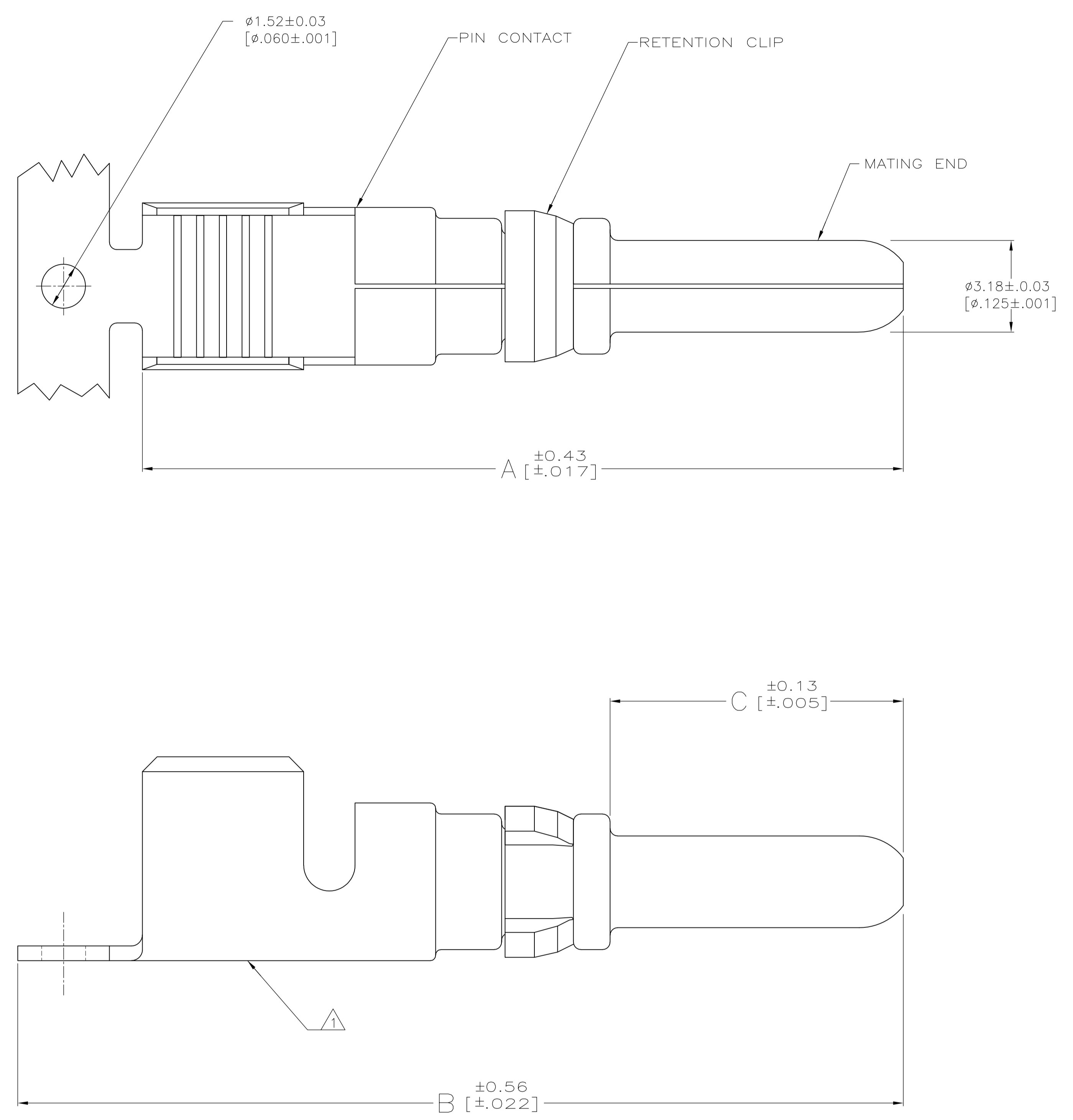
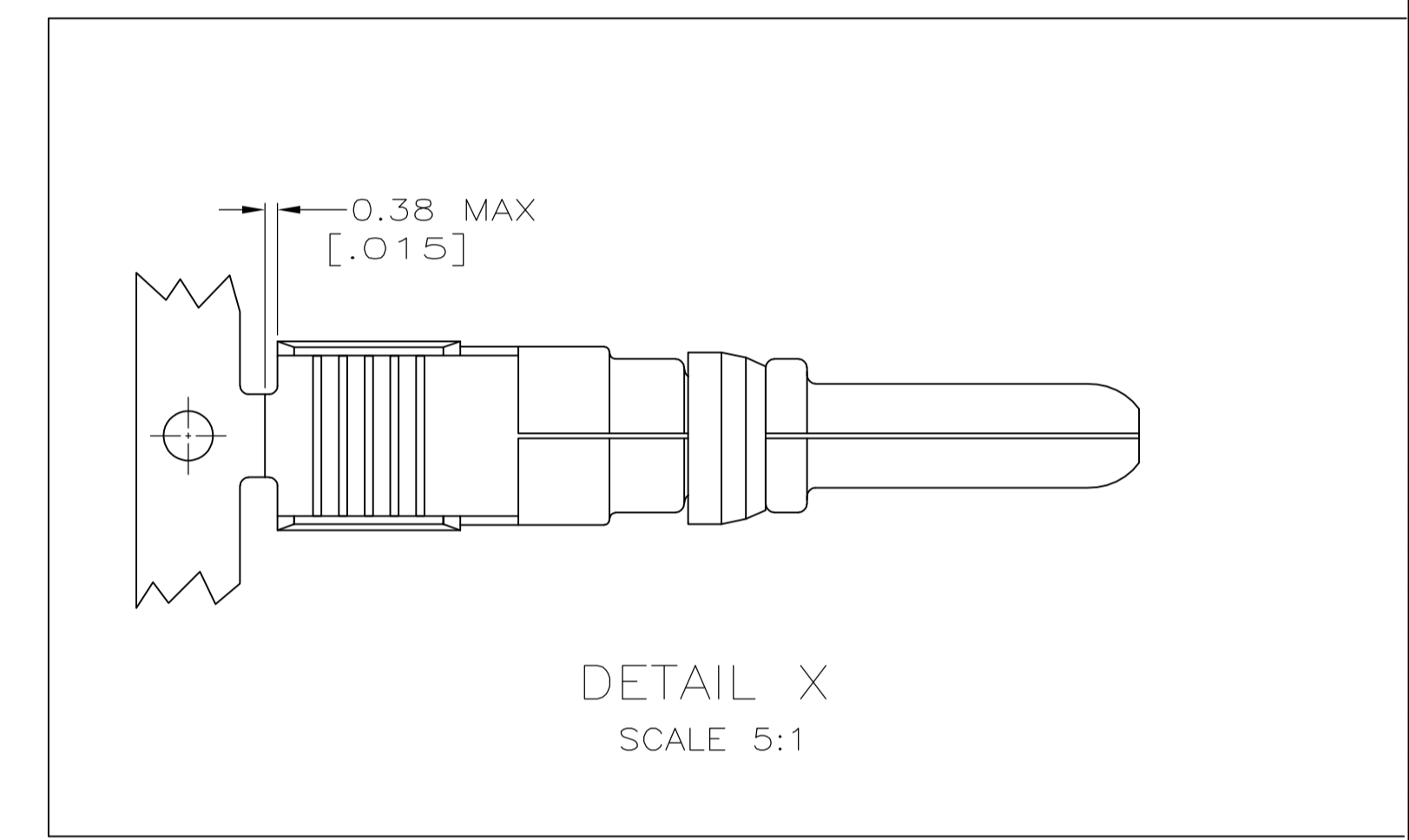


| REVISIONS | | | | | |
|-----------|----|---------------------------|-----------|-------|-----|
| REV | BY | DESCRIPTION | DATE | APP'D | REV |
| B2 | | REVISED PER ECO-16-004223 | 19JUL2016 | NK | MZ |



- 1 WIRE SIZE AND LOGO APPEAR ON OUTSIDE OF WIRE BARREL.
- 2 RETENTION CLIP: PHOSPHOR BRONZE PER QQ-B-750.
PIN CONTACT: COPPER PER QQ-C-576.
- 3 PIN CONTACT: $0.76\mu\text{m}$ [$.000030$] MIN GOLD PER MIL-G-45204 ON CONTACT MATING END, GOLD FLASH ON REMAINDER, ALL OVER $1.27\mu\text{m}$ [$.000050$] MIN NICKEL PER QQ-N-390.
RETENTION CLIP: $2.54\mu\text{m}$ [$.000100$] MIN NICKEL PER QQ-N-290.
- 4 PIN CONTACT: $5.08\mu\text{m}$ [$.000200$] MIN SILVER PER QQ-S-365 ON CONTACT MATING END, $1.27\mu\text{m}$ [$.000050$] MIN SILVER ON REMAINDER, ALL OVER $1.27\mu\text{m}$ [$.000050$] MIN NICKEL PER QQ-N-290.
RETENTION CLIP: $2.54\mu\text{m}$ [$.000100$] MIN NICKEL PER QQ-N-290.



| REV | DESCRIPTION | DATE | APP'D | REV |
|--------|-----------------|------------------|------------------|-------------------------|
| 3 | 12.32 [.485] | - | 28.52 [1.123] | DETAIL X 213841-8 |
| 4 | 12.32 [.485] | - | 28.52 [1.123] | DETAIL X 213841-7 |
| 3 | 12.32 [.485] | 32.84 [1.293] | 28.52 [1.123] | - 213841-6 |
| 4 | 12.32 [.485] | 32.84 [1.293] | 28.52 [1.123] | - 213841-5 |
| 3 | 10.16 [.400] | - | 26.37 [1.038] | DETAIL X 213841-4 |
| 4 | 10.16 [.400] | - | 26.37 [1.038] | DETAIL X 213841-3 |
| 3 | 10.16 [.400] | 30.68 [1.208] | 26.37 [1.038] | - 213841-2 |
| 4 | 10.16 [.400] | 30.68 [1.208] | 26.37 [1.038] | - 213841-1 |
| FINISH | C | B | A | LOOSE PIECE PART NUMBER |

OBSOLETE

THIS DRAWING IS A CONTROLLED DOCUMENT.

| | | | |
|-------------------------|--|-------------------------------|--------------------------------|
| DIMENSIONS: mm [INCHES] | TOLERANCES UNLESS OTHERWISE SPECIFIED: | DIN C. OBERMAN 21 MAR 96 | STE TE Connectivity |
| 0 PLC ± - | 1 PLC ± - | CHK R. STONE 25 MAR 96 | NAME |
| 2 PLC ± - | 3 PLC ± - | APP'D G. STEINHÄUER 26 MAR 96 | PRODUCT SPEC |
| 4 PLC ± - | ANGLES ± - | APPLICATION SPEC | SIZE CASE CODE DRAWING NO |
| MATERIAL | FINISH SEE TABLE | WEIGHT | RESTRICTED TO |
| 1 | | A1 00779 C=213841 | SCALE 10:1 SHEET 1 OF 1 REV B2 |

CUSTOMER DRAWING