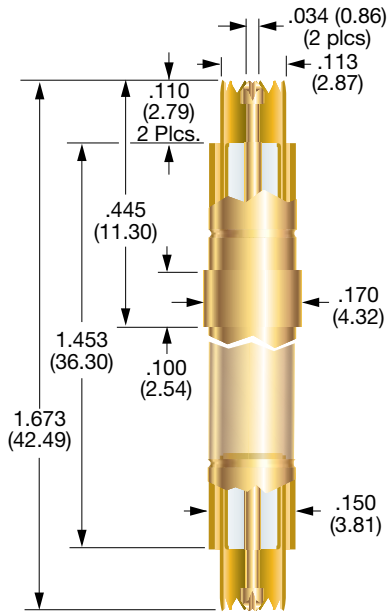
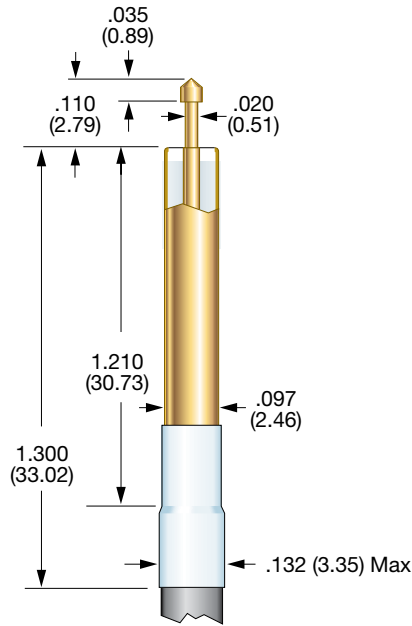


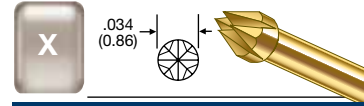
101097



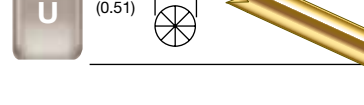
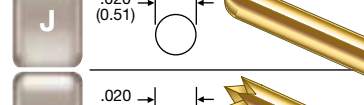
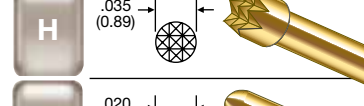
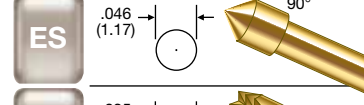
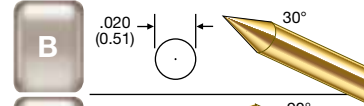
100526



101097 SIGNAL TIP



100526 SIGNAL TIPS



PROBE SPECIFICATIONS

Minimum Centers: .200 (5.08)
Current Rating: 3 amps continuous
Spring Force:
 Signal Conductor:
 1.6 oz. @ .037 (0.94) travel, each end
 Shielding Plunger:
 3.4 oz. @ .037 (0.94) travel, each end
Nominal Impedance: 50 Ω
Maximum Travel: .075 (1.91) each end
Working Travel: .037 (0.94) each end

MATERIALS

Barrel: Brass, gold plated
Spring: Stainless steel, gold plated
Shielding Plunger: Beryllium copper, gold plated
Dielectric Insulator: Teflon
Shielding Tube: Brass, gold plated
Signal Conductor: 100617-000 probe

PROBE SPECIFICATIONS

Minimum Centers: .150 (3.18)
Current Rating: 3 amps continuous
Spring Force:
 Signal Conductor:
 1.6 oz. @ .070 (1.78) travel: tips B, J, U
 2.0 oz. @ .070 (1.78) travel: tips ES, H
Nominal Impedance: 50 Ω
Maximum Travel:
 .090 (2.29) for tips B, J, & U
 .075 (1.91) for tips ES, & H
Working Travel: .070 (1.78)

MATERIALS

Spring: Beryllium copper, gold plated
Dielectric Insulator: Teflon
Shielding Tube: Brass, gold plated
Signal Conductor: Series S, Size 00 probe
Coaxial Cable: RG 316

HOW TO ORDER

101097

X

X

BASE PART
NUMBER

TOP
SIGNAL
PROBE
TIP

BOTTOM
SIGNAL
PROBE
TIP

HOW TO ORDER

100526

ES

12

AM

BASE PART
NUMBER

SIGNAL
PROBE TIP

CABLE
LENGTH

TERMINATION

CABLE LENGTH:
 12 - 12 INCHES
 36 - 36 INCHES

NC: NO CONNECTOR
AM: SMA MALE
AF: SMA FEMALE

* WHEN ORDERING WITH A PREATTACHED CONNECTOR, PLEASE NOTE THAT THE CONNECTOR WILL NOT FIT THROUGH THE PROBE MOUNTING HOLE. THE PROBE MUST BE INSERTED FROM THE BOTTOM SIDE OF THE MOUNTING PLATE.

CONSULT IDI FOR MORE INFORMATION.

Specifications subject to change without notice. Dimensions in inches (millimeters)