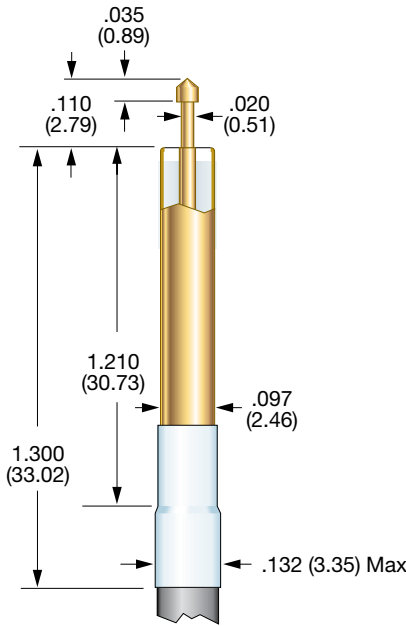


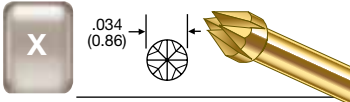
101097



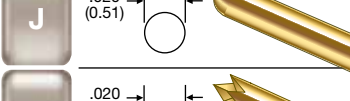
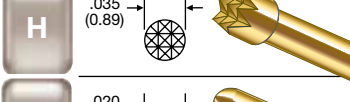
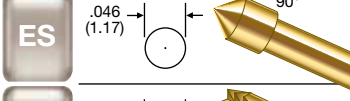
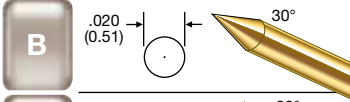
100526



101097 SIGNAL TIP



100526 SIGNAL TIPS



PROBE SPECIFICATIONS

Minimum Centers: .200 (5.08)
Current Rating: 3 amps continuous
Spring Force:
 Signal Conductor:
 1.6 oz. @ .037 (0.94) travel, each end
 Shielding Plunger:
 3.4 oz. @ .037 (0.94) travel, each end
Nominal Impedance: 50 Ω
Maximum Travel: .075 (1.91) each end
Working Travel: .037 (0.94) each end

MATERIALS

Barrel: Brass, gold plated
Spring: Stainless steel, gold plated
Shielding Plunger: Beryllium copper, gold plated
Dielectric Insulator: Teflon
Shielding Tube: Brass, gold plated
Signal Conductor: 100617-000 probe

PROBE SPECIFICATIONS

Minimum Centers: .150 (3.18)
Current Rating: 3 amps continuous
Spring Force:
 Signal Conductor:
 1.6 oz. @ .070 (1.78) travel: tips B, J, U
 2.0 oz. @ .070 (1.78) travel: tips ES, H
Nominal Impedance: 50 Ω
Maximum Travel:
 .090 (2.29) for tips B, J, & U
 .075 (1.91) for tips ES, & H
Working Travel: .070 (1.78)

MATERIALS

Spring: Beryllium copper, gold plated
Dielectric Insulator: Teflon
Shielding Tube: Brass, gold plated
Signal Conductor: Series S, Size 00 probe
Coaxial Cable: RG 316

HOW TO ORDER

| | | |
|------------------|----------------------|-------------------------|
| 101097 | X | X |
| BASE PART NUMBER | TOP SIGNAL PROBE TIP | BOTTOM SIGNAL PROBE TIP |

HOW TO ORDER

| | | | |
|---|------------------|--|-------------|
| 100526 | ES | 12 | AM |
| BASE PART NUMBER | SIGNAL PROBE TIP | CABLE LENGTH | TERMINATION |
| CABLE LENGTH: 12 - 12 INCHES 36 - 36 INCHES | | NC: No Connector AM: SMA MALE AF: SMA FEMALE | |

* WHEN ORDERING WITH A PREATTACHED CONNECTOR, PLEASE NOTE THAT THE CONNECTOR WILL NOT FIT THROUGH THE PROBE MOUNTING HOLE. THE PROBE MUST BE INSERTED FROM THE BOTTOM SIDE OF THE MOUNTING PLATE.

CONSULT IDI FOR MORE INFORMATION.

Specifications subject to change without notice. Dimensions in inches (millimeters)