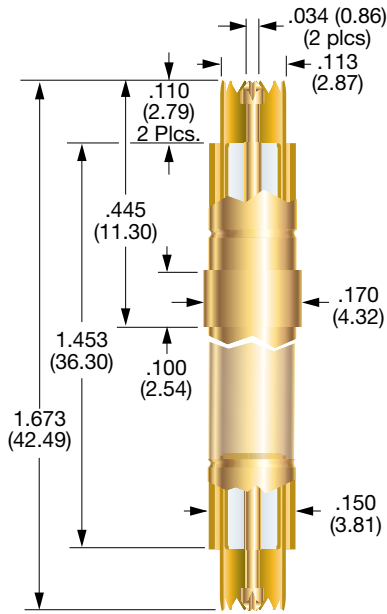
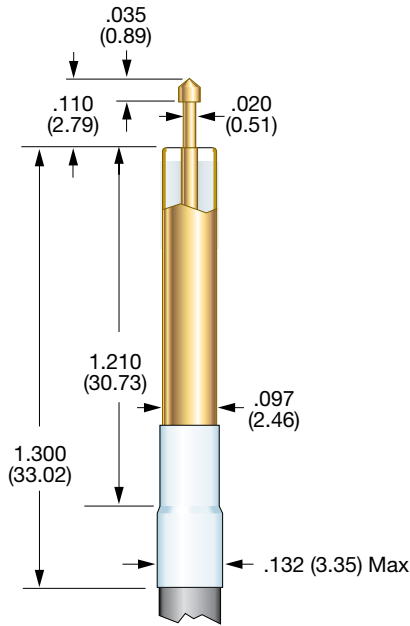


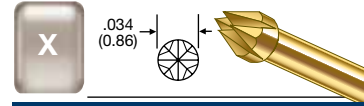
101097



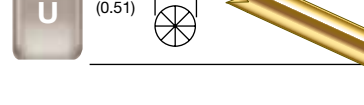
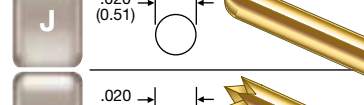
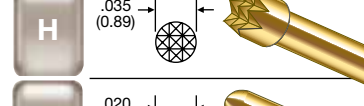
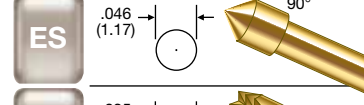
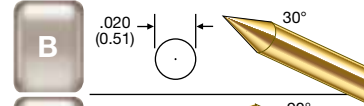
100526



101097 SIGNAL TIP



100526 SIGNAL TIPS



PROBE SPECIFICATIONS

Minimum Centers: .200 (5.08)
 Current Rating: 3 amps continuous
 Spring Force:
 Signal Conductor:
 1.6 oz. @ .037 (0.94) travel, each end
 Shielding Plunger:
 3.4 oz. @ .037 (0.94) travel, each end
 Nominal Impedance: 50 Ω
 Maximum Travel: .075 (1.91) each end
 Working Travel: .037 (0.94) each end

PROBE SPECIFICATIONS

Minimum Centers: .150 (3.18)
 Current Rating: 3 amps continuous
 Spring Force:
 Signal Conductor:
 1.6 oz. @ .070 (1.78) travel: tips B, J, U
 2.0 oz. @ .070 (1.78) travel: tips ES, H
 Nominal Impedance: 50 Ω
 Maximum Travel:
 .090 (2.29) for tips B, J, & U
 .075 (1.91) for tips ES, & H
 Working Travel: .070 (1.78)

MATERIALS

Barrel: Brass, gold plated
 Spring: Stainless steel, gold plated
 Shielding Plunger: Beryllium copper, gold plated
 Dielectric Insulator: Teflon
 Shielding Tube: Brass, gold plated
 Signal Conductor: 100617-000 probe

MATERIALS

Spring: Beryllium copper, gold plated
 Dielectric Insulator: Teflon
 Shielding Tube: Brass, gold plated
 Signal Conductor: Series S, Size 00 probe
 Coaxial Cable: RG 316

HOW TO ORDER

101097

X

X

BASE PART NUMBER

TOP SIGNAL PROBE TIP

BOTTOM SIGNAL PROBE TIP

HOW TO ORDER

100526

ES

12

AM

BASE PART NUMBER

SIGNAL PROBE TIP

CABLE LENGTH

TERMINATION

CABLE LENGTH:
 12 - 12 INCHES
 36 - 36 INCHES

NC: No CONNECTOR
 AM: SMA MALE
 AF: SMA FEMALE

* WHEN ORDERING WITH A PREATTACHED CONNECTOR, PLEASE NOTE THAT THE CONNECTOR WILL NOT FIT THROUGH THE PROBE MOUNTING HOLE. THE PROBE MUST BE INSERTED FROM THE BOTTOM SIDE OF THE MOUNTING PLATE.

CONSULT IDI FOR MORE INFORMATION.

Specifications subject to change without notice. Dimensions in inches (millimeters)