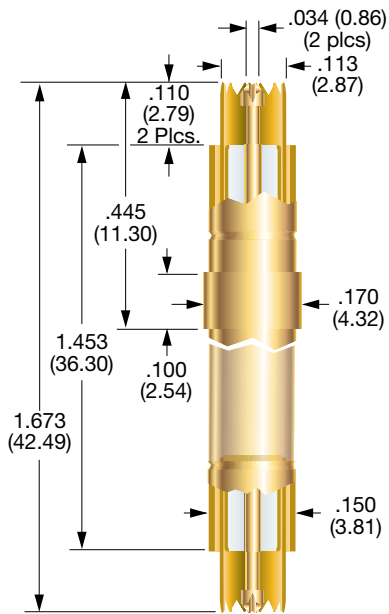


## 101097



### PROBE SPECIFICATIONS

**Minimum Centers:** .200 (5.08)  
**Current Rating:** 3 amps continuous  
**Spring Force:**  
 Signal Conductor:  
 1.6 oz. @ .037 (0.94) travel, each end  
 Shielding Plunger:  
 3.4 oz. @ .037 (0.94) travel, each end  
**Nominal Impedance:** 50 Ω  
**Maximum Travel:** .075 (1.91) each end  
**Working Travel:** .037 (0.94) each end

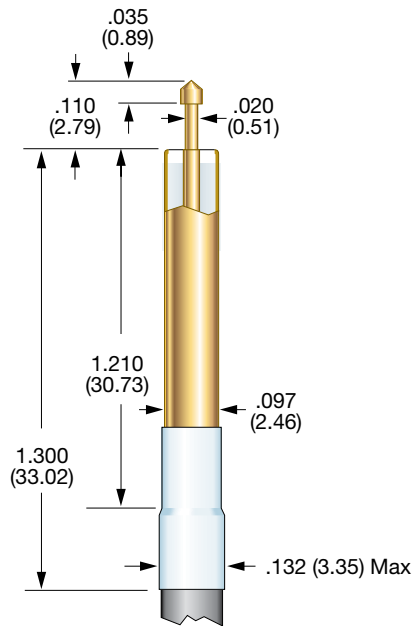
### MATERIALS

**Barrel:** Brass, gold plated  
**Spring:** Stainless steel, gold plated  
**Shielding Plunger:** Beryllium copper, gold plated  
**Dielectric Insulator:** Teflon  
**Shielding Tube:** Brass, gold plated  
**Signal Conductor:** 100617-000 probe

### HOW TO ORDER

|                  |                      |                         |
|------------------|----------------------|-------------------------|
| <b>101097</b>    | <b>X</b>             | <b>X</b>                |
| BASE PART NUMBER | TOP SIGNAL PROBE TIP | BOTTOM SIGNAL PROBE TIP |

## 100526



### PROBE SPECIFICATIONS

**Minimum Centers:** .150 (3.18)  
**Current Rating:** 3 amps continuous  
**Spring Force:**  
 Signal Conductor:  
 1.6 oz. @ .070 (1.78) travel: tips B, J, U  
 2.0 oz. @ .070 (1.78) travel: tips ES, H  
**Nominal Impedance:** 50 Ω  
**Maximum Travel:**  
 .090 (2.29) for tips B, J, & U  
 .075 (1.91) for tips ES, & H  
**Working Travel:** .070 (1.78)

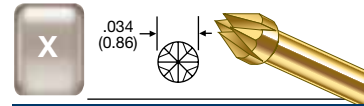
### MATERIALS

**Spring:** Beryllium copper, gold plated  
**Dielectric Insulator:** Teflon  
**Shielding Tube:** Brass, gold plated  
**Signal Conductor:** Series S, Size 00 probe  
**Coaxial Cable:** RG 316

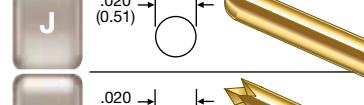
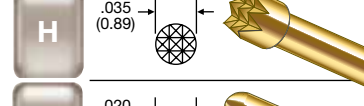
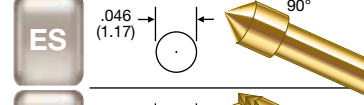
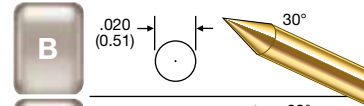
### HOW TO ORDER

|   |                  |  |             |
|---|------------------|--|-------------|
| <b>100526</b>                                     | <b>ES</b>        | <b>12</b>  | <b>AM</b>   |
| BASE PART NUMBER                                  | SIGNAL PROBE TIP | CABLE LENGTH                                       | TERMINATION |
| CABLE LENGTH:<br>12 - 12 INCHES<br>36 - 36 INCHES |                  | NC: NO CONNECTOR<br>AM: SMA MALE<br>AF: SMA FEMALE |             |

## 101097 SIGNAL TIP



## 100526 SIGNAL TIPS



\* WHEN ORDERING WITH A PREATTACHED CONNECTOR, PLEASE NOTE THAT THE CONNECTOR WILL NOT FIT THROUGH THE PROBE MOUNTING HOLE. THE PROBE MUST BE INSERTED FROM THE BOTTOM SIDE OF THE MOUNTING PLATE.

CONSULT IDI FOR MORE INFORMATION.

Specifications subject to change without notice. Dimensions in inches (millimeters)