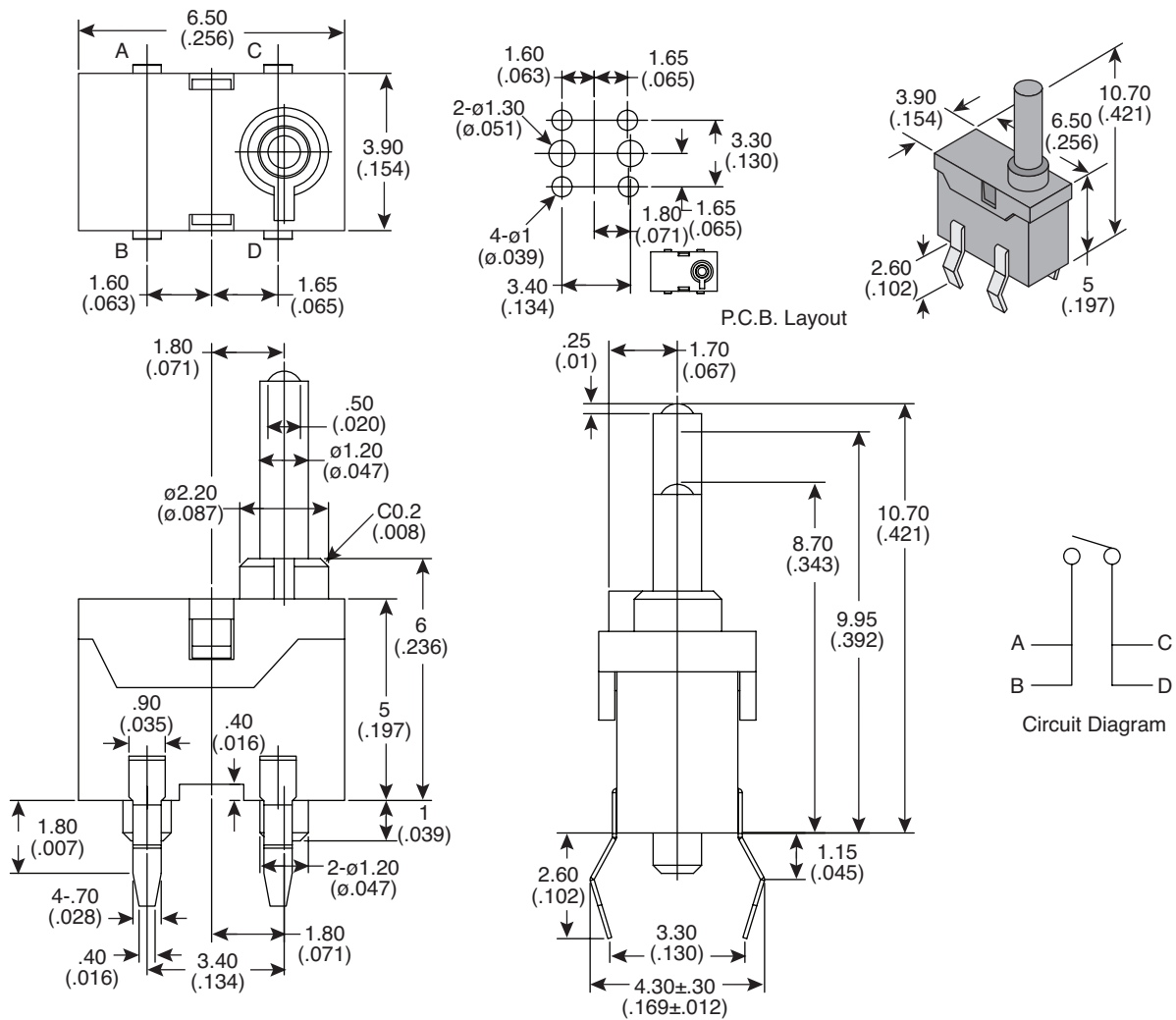


Dimensions: mm (in.)



**Electrical Specifications:**

- Rating: 5mA/5V DC
- Contact Resistance: 500m $\Omega$  Max.
- Insulation Resistance: 100M $\Omega$  Min.
- Dielectric Strength: 250 VAC (50Hz or 60Hz) shall be applied across terminals and cover for 1 minute
- Electrical Life: 50,000 cycles

**Mechanical Specifications:**

- Operating Temperature: -20° C to +70° C
- Operation Force: 30gf Max.
- Storage Temperature: -30° C to +80° C
- Stroke: 2mm Max.

**Note:**

- RoHS Compliant

Detector Switch  
104-TE912-EV



Available from Mouser Electronics

www.mouser.com

1-800-346-6873