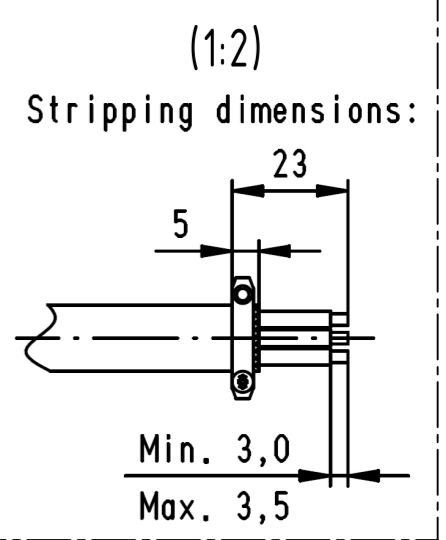
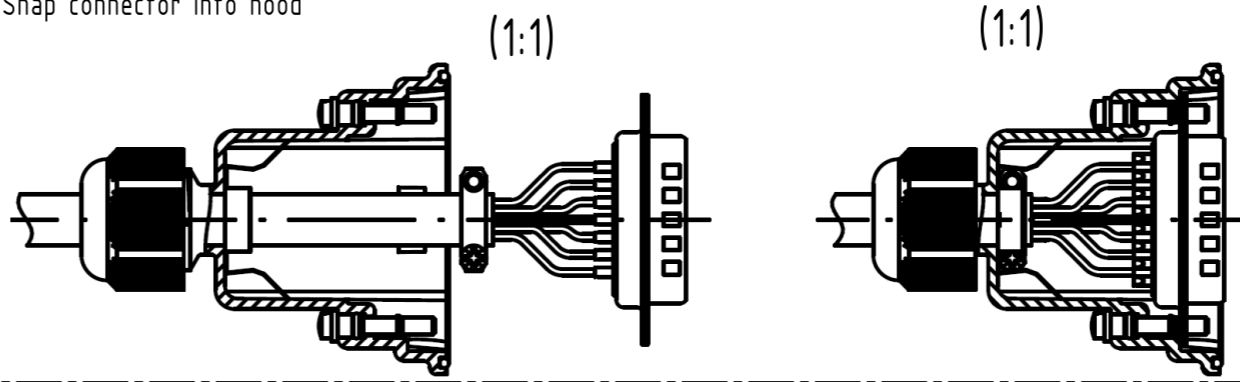
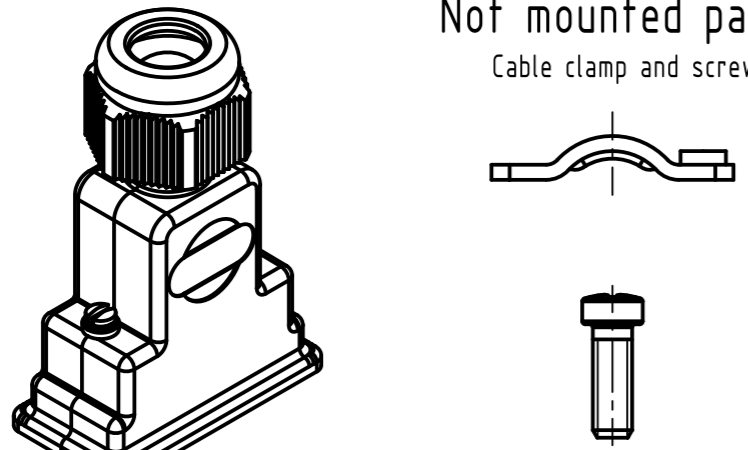


Mounting instructions:  
 The peeled back cable braiding must not extend over the cable clamp, in order not to damage the gasket or to impair its performance  
 Pull back cable until cable clamp snaps into shielding plate  
 Snap connector into hood



Not mounted parts  
 Cable clamp and screw



For rear mounted mating connectors, panel thickness is comprised between 1 and 2 for safe contact area

Max. torques are 0,4 N.m

0967 009 0539	M3
0967 009 0538	4-40 UNC
Part number	Mounting screw thread

All rights reserved Department EC PD - CN HARTING Electronics GmbH D-32339 Espelkamp	All Dimensions in mm Original Size DIN A3	Scale 2:1	Free size tol.	Ref. Sub.
	Created by ZHUANGJ	Inspected by LUOK	Standardisation HOFFMANN	Date 2017-07-03
Title D-Sub 9-pole IP67 top entry metallized plastic hood				Doc-Key / ECM-Nr. 100730120/UGD/000/A 500000121522
Type TB		Number 0967009053X		Rev. A
				Page 1/1

# Mouser Electronics

Authorized Distributor

Click to View Pricing, Inventory, Delivery & Lifecycle Information:

[HARTING:](#)

[09670090538](#) [09670090539](#)