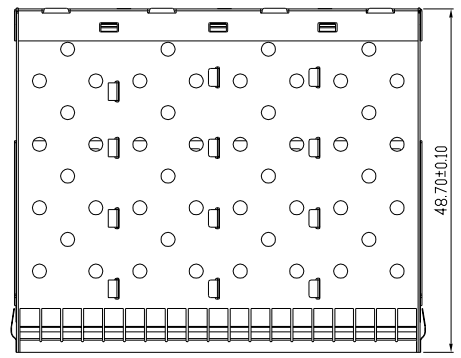


1 2 3 4

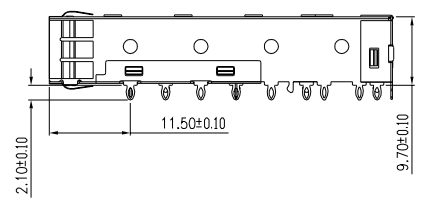
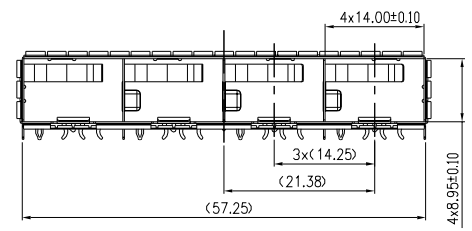
Product Number	Compliant Pin	Packaging
10122388-101LF	12 Places	Tray

A



48.70±0.10

B

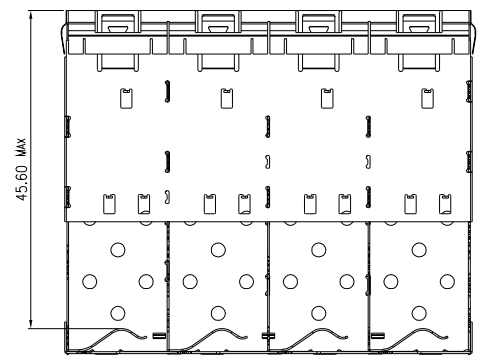


3D VIEW
SCALE 1:1

A

B

C



NOTES:

1, DESCRIPTION	Q'ty	MATERIAL	PLATING
TOP CAGE	1PCS	NICKEL SILVER ALLOY T=0.25	NO PLATING
BOTTOM CAGE	1PCS	NICKEL SILVER ALLOY T=0.25	NO PLATING
MID CAGE	3PCS	NICKEL SILVER ALLOY T=0.25	NO PLATING
BACK CAGE	1PCS	NICKEL SILVER ALLOY T=0.25	NO PLATING
EMI SPRING	N/A	COPPER ALLOY T=0.08	Ni PLATED

2, PRODUCT SPECIFICATION: GS-12-1165
 3, APPLICATION SPECIFICATION: GS-20-0384
 4, PACKAGE PER GS-14-2344 AND GS-14-920

C

Copyright FCI.

D

spec ref	RELEASE	dr	Art Lin	2014-01-09	projection	size	scale	
tolerance std	TOLERANCES UNLESS OTHERWISE SPECIFIED	eng	Zhen Luo	2014-01-09		A4	1:1	
ISO406		chr	Collins Lu	2014-01-10		ecn no		
ISO1101		appr	JEFFREY QIN	2014-01-10	product family	SFP+	rel level	Released
surface			title		dwg no	10122388	rev	
ISO1302			linear	0.X				±0.25
	angular	0°	±0.5°	www.fci.com	cat. no.	-	Product-Customer Drw	sheet 1 of 5

Proj/E File - REV C - 2009-06-09

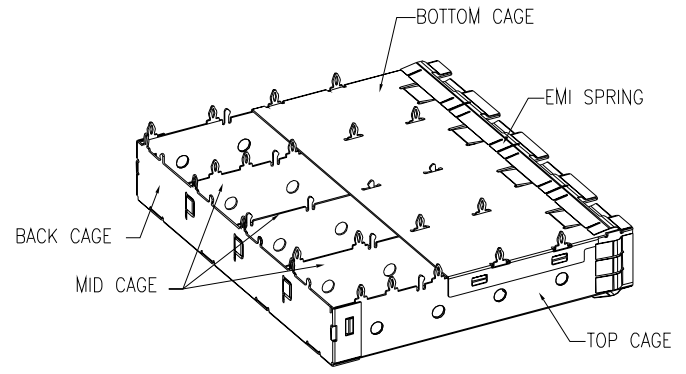
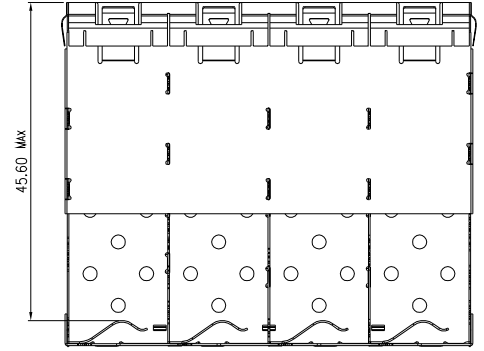
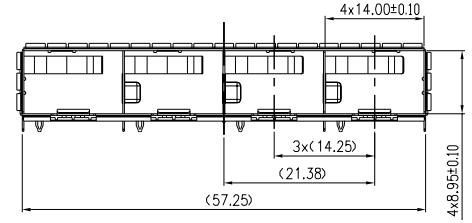
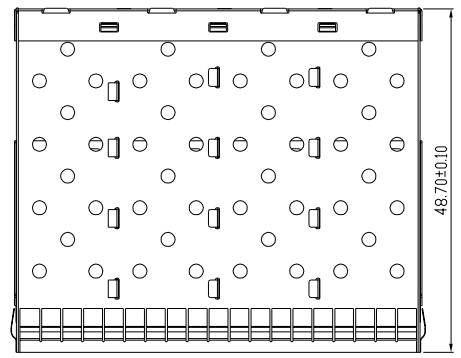
1

2

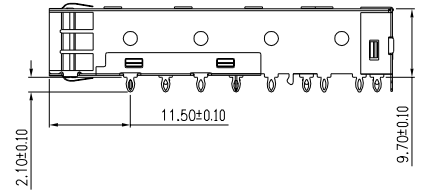
3

4

Product Number	Compliant Pin	Packaging
10122388-201LF	Without	Tray



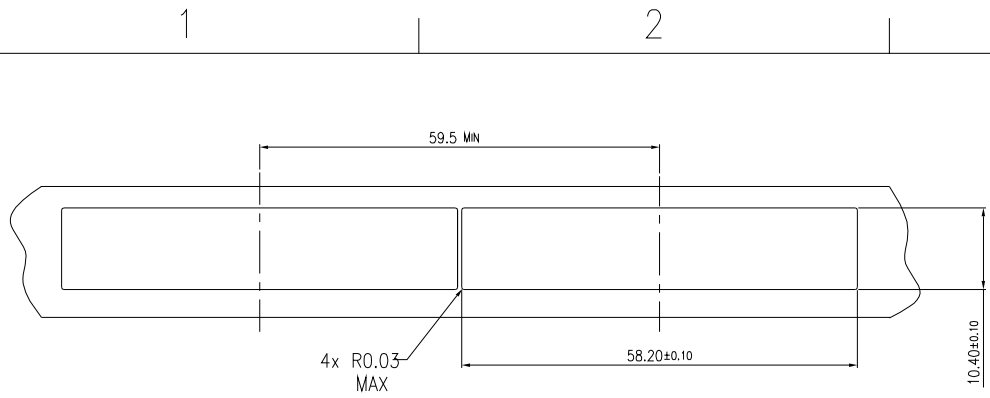
3D VIEW
SCALE 1:1



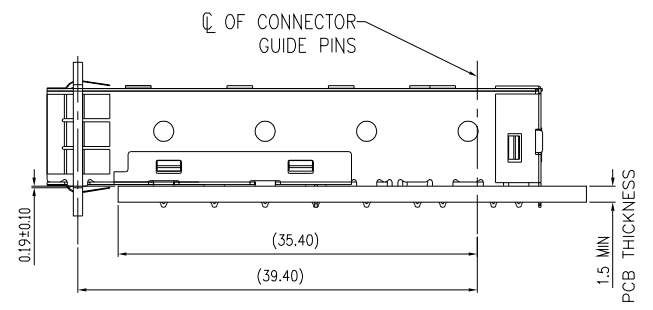
Copyright FCI.

spec ref	RELEASE			dr	Art Lin	2014-01-09	projection 	MM ←→	size	A4	scale	1:1		
tolerance std	TOLERANCES UNLESS OTHERWISE SPECIFIED			eng	Zhen Luo	2014-01-09			product family	SFP+	ecn no			
ISO406 ISO1101				chr	Collins Lu	2014-01-10					rel level			Released
surface	linear	0.X	±0.25	FCI	title	SFP+ 1X4 CAGE			dwg no	10122388		rev	C	
ISO1302		0.XX	±0.20			www.fci.com	cat. no.	-		Product-Customer Drw			sheet 2 of 5	
		0.XXX	±0.15											
	angular	0°	±0.5°											

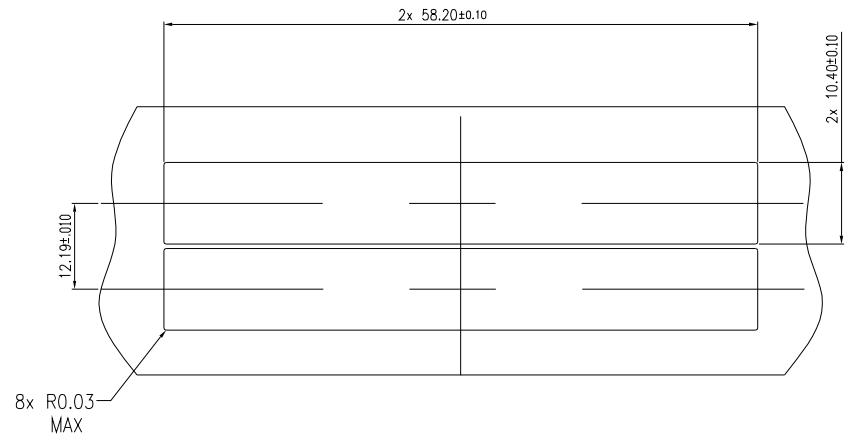
Proj/E File - REV C - 2009-06-09



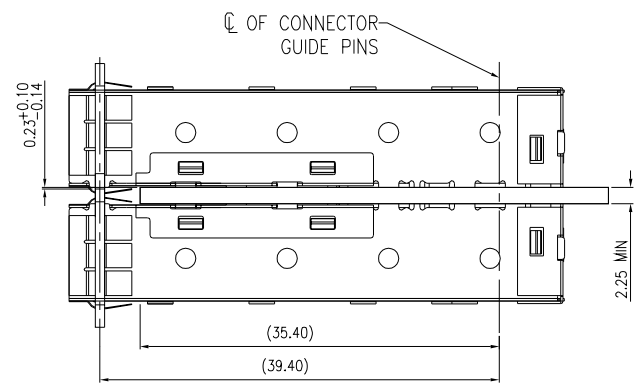
RECOMMENDED BEZEL CUT-OUT SINGLE SIDED APPLICATIONS



MOUNTED ON PC BOARD SHOWN THRU RECOMMENDED BEZEL



RECOMMENDED BEZEL CUT-OUT BELLY TO BELLY APPLICATIONS



MOUNTED BELLY TO BELLY ON PC BOARD SHOWN THRU RECOMMENDED BEZEL

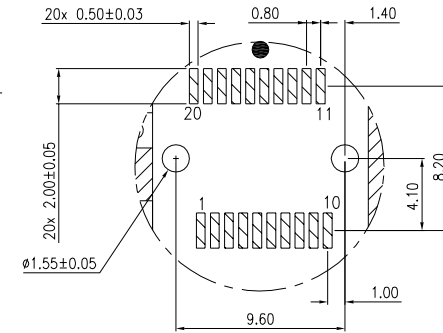
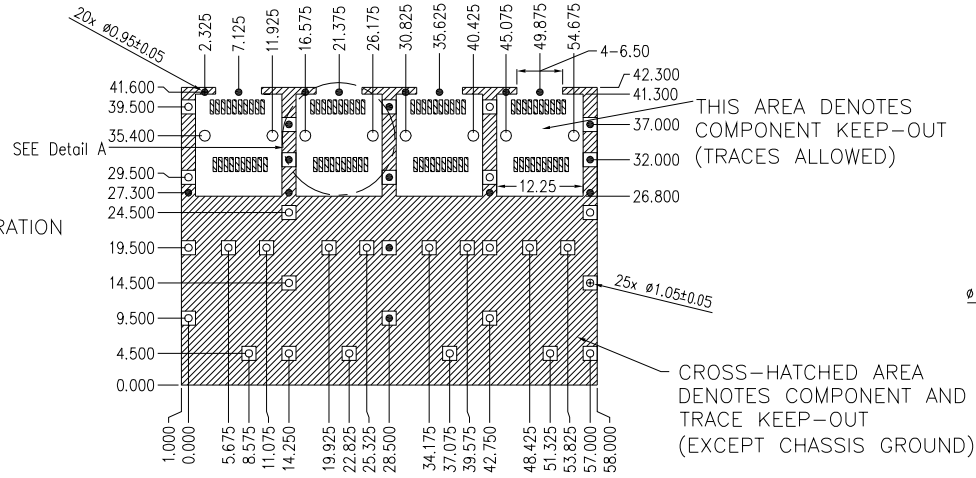


Copyright FCI.

spec ref	RELEASE			dr	Art Lin	2014-01-09	projection	size	scale		
tolerance std	TOLERANCES UNLESS OTHERWISE SPECIFIED			eng	Zhen Luo	2014-01-09				MM	A4
ISO406				chr	Collins Lu	2014-01-10	← →	ecn no			
ISO1101				appr	JEFFREY QIN	2014-01-10		product family	SFP+	rel level	Released
surface	linear	0.X	±0.25	FCI	title	SFP+ 1X4 CAGE EMI SPRING TYPE PRESS FIT		dwg no	10122388		rev
		0.XX	±0.20								
0.XXX	±0.15										
ISO1302	angular	0°	±0.5°	www.fci.com	cat. no.	-	Product-Customer Drw	sheet 3 of 5			

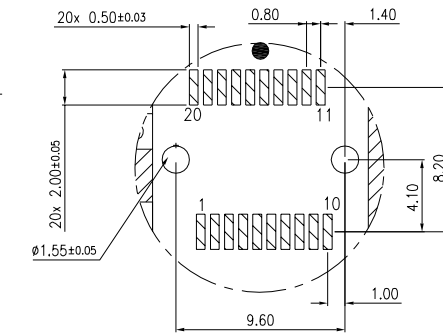
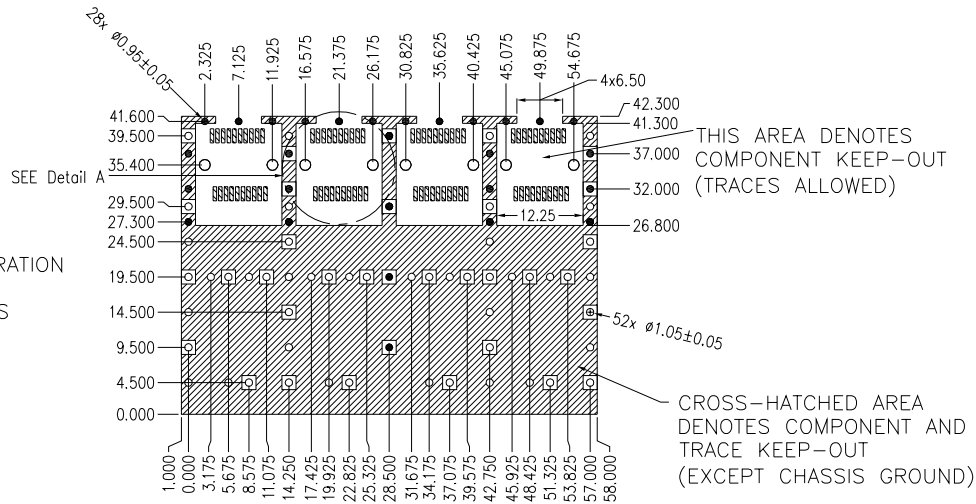
Pro/E File - REV C - 2009-06-09

10122388-101LF
RECOMMENDED PCB CONFIGURATION
WITH KEEP-OUT AREAS
SINGLE SIDED APPLICATIONS



Detail A
SCALE 2.5:1

10122388-101LF
RECOMMENDED PCB CONFIGURATION
WITH KEEP-OUT AREAS
BELLY TO BELLY APPLICATIONS



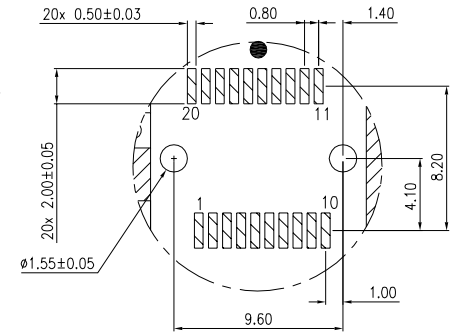
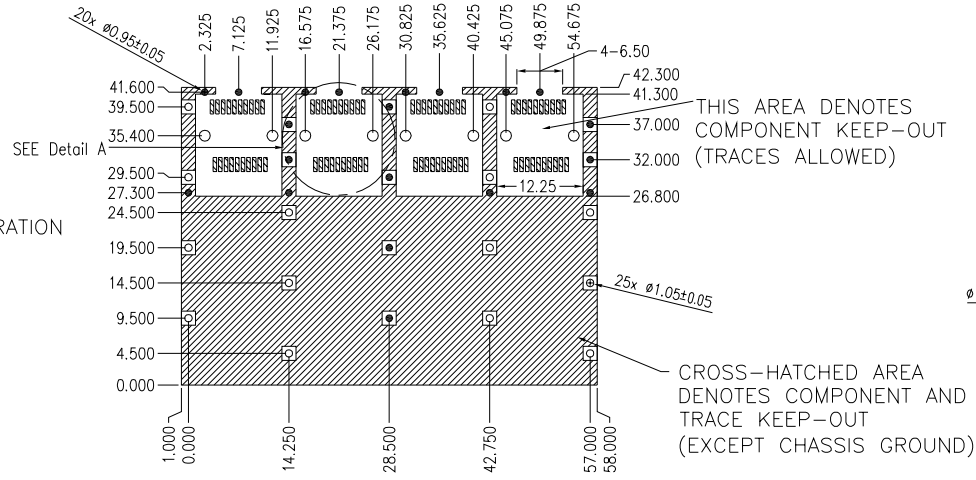
Detail A
SCALE 2.5:1



Copyright FCI.

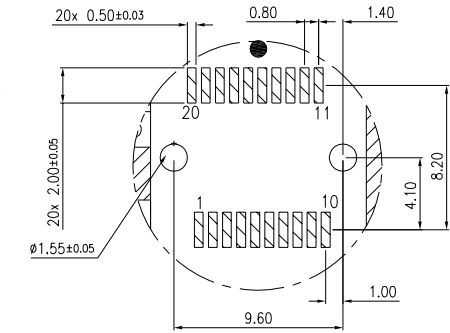
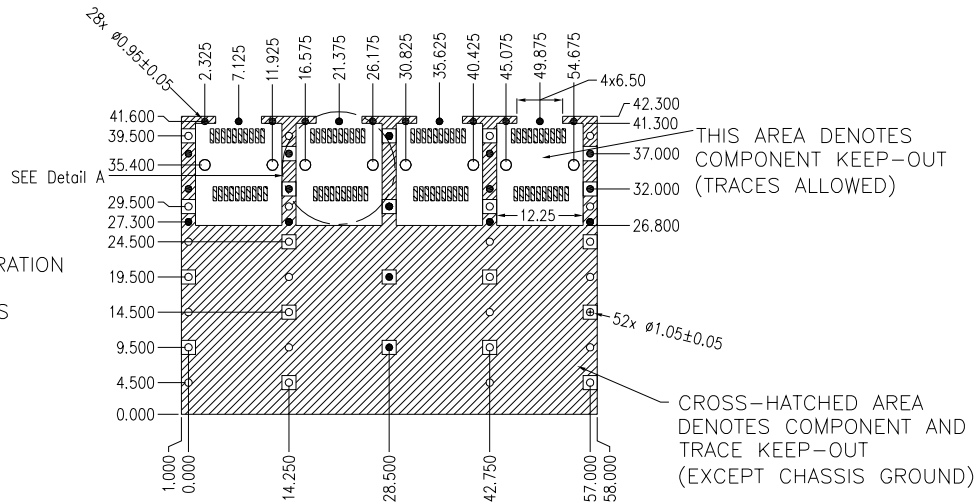
spec ref	RELEASE			dr	Art Lin	2014-01-09	projection	size	scale
tolerance std	TOLERANCES UNLESS OTHERWISE SPECIFIED			eng	Zhen Luo	2014-01-09		A4	1:1
ISO406				chr	Collins Lu	2014-01-10		product family	SFP+
ISO1101	appr	JEFFREY QIN	2014-01-10			rel level	Released		
surface	linear	0.X	±0.25		title	SFP+ 1X4 CAGE EMI SPRING TYPE PRESS FIT	dwg no	10122388	rev
		0.XX	±0.20						
0.XXX	±0.15								
ISO1302	angular	0°	±0.5°	www.fci.com	cat. no.	-	Product-Customer Drw	sheet 4 of 5	

10122388-201LF
RECOMMENDED PCB CONFIGURATION
WITH KEEP-OUT AREAS
SINGLE SIDED APPLICATIONS



Detail A
SCALE 2.5:1

10122388-201LF
RECOMMENDED PCB CONFIGURATION
WITH KEEP-OUT AREAS
BELLY TO BELLY APPLICATIONS



Detail A
SCALE 2.5:1



Copyright FCI.

spec ref	RELEASE			dr	Art Lin	2014-01-09	projection 	size	scale		
tolerance std	TOLERANCES UNLESS OTHERWISE SPECIFIED			eng	Zhen Luo	2014-01-09		MM ←→	A4	1:1	
ISO406 ISO1101				chr	Collins Lu	2014-01-10			ecn no		
surface	linear	0.X	±0.25	FCI	title	SFP+ 1X4 CAGE EMI SPRING TYPE PRESS FIT	product family	SFP+		rel level	Released
ISO1302		0.XX	±0.20					www.fci.com	cat. no.		
	0.XXX	±0.15									
	angular	0°	±0.5°								