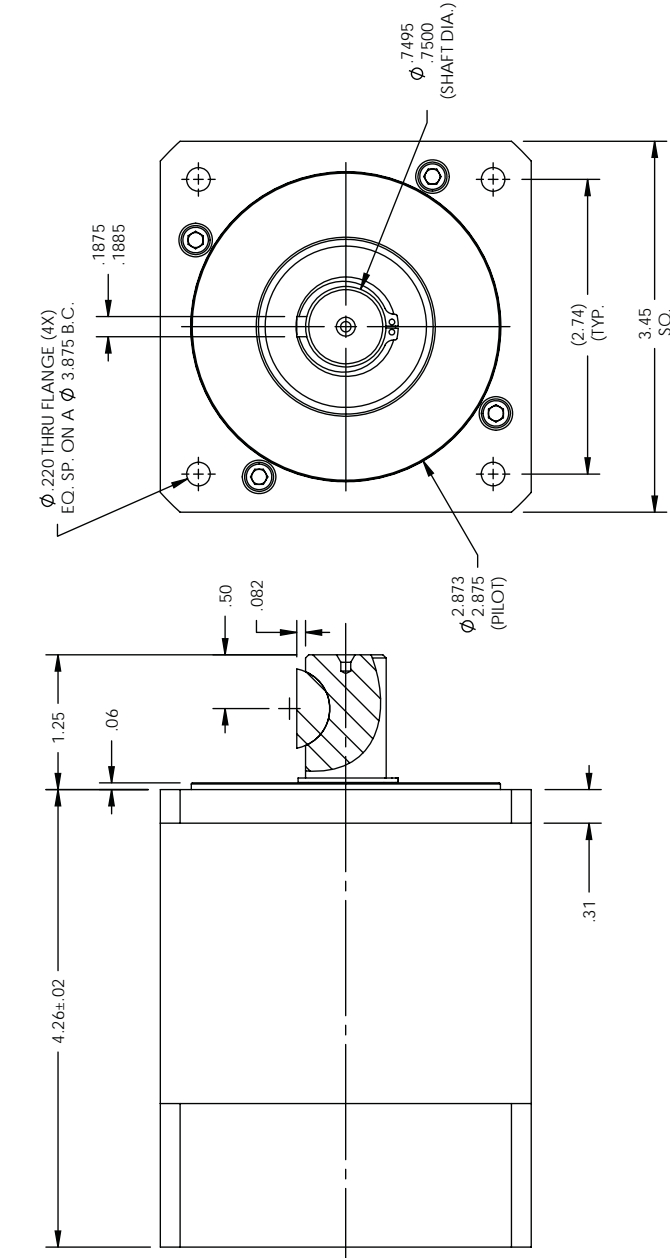


REVISIONS			DATE	APPROVED
REV	DESCRIPTION			
A	INITIAL RELEASE ECO 6781		7/2/2013	J KORDIJK



NOTES: UNLESS OTHERWISE SPECIFIED

- 1 #606 WOODRUFF KEY
- 2. RATIO: 70:1
- 3. FOR TECHNICAL DETAILS, CONTACT APPLIED MOTION PRODUCTS.

TOLERANCES		THIRD ANGLE PROJECTION	
DECIMALS: [MM] INCH			
X.XXX = ± .005		APPROVALS	DATE
X.XX = ± [0.13] .010		DRAWN	2/22/13
X.X = ± [0.25] .020		CHECKED	
ANGLES:		APPROVED	
MACH. = ±.5°		COMPUTER DATA BASE DRAWING	
CHAM. = ±5°			

		APPLIED MOTION PRODUCTS, INC.	
GEAR HEAD - DRAWING			
REV	DWG NO.	SCALE	SHEET 1 OF 1
A	034VL070	FULL	1