

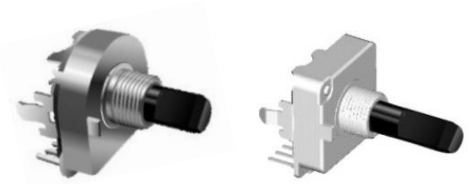
## 20mm Gray & Binary Rotary Encoder

### Application

- ✓ Audio, Home appliance, Precision apparatus, Automotive, Communication, Industrial control, etc.

### Feature

- ✓ Encoder programmed with 4 bit coding for varies digital circuit.



### ■Specification

Rotation Angle	360° endless
Rating Voltage	10V DC 10mA
Operating Temperature Range	-10 °C~85 °C
Rotational Torque	50 ~ 350 gf.cm
Rotational Life	50,000 cycles

### ■How to order

RE2001F – 40E2 – 20F – 4G

[Model](#)

#### Terminal Type

Code	Terminal type	Switch
20	Horizontal	Without switch
40	Vertical	Without switch

Code	Bushing Type (D)	
E2	∅9mm	6mm

[Shaft](#)


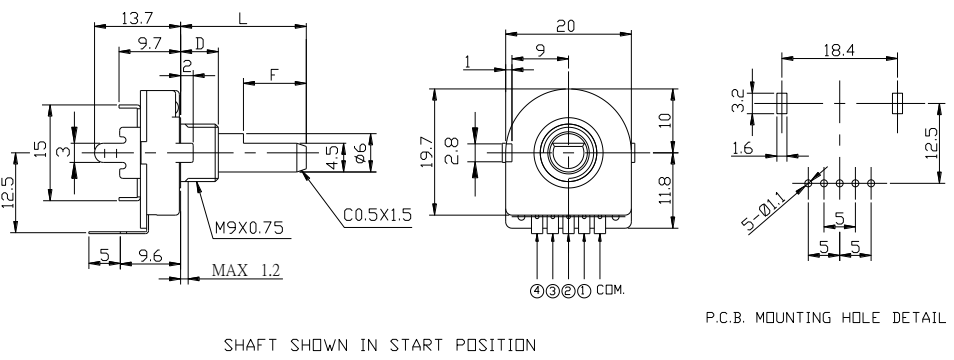

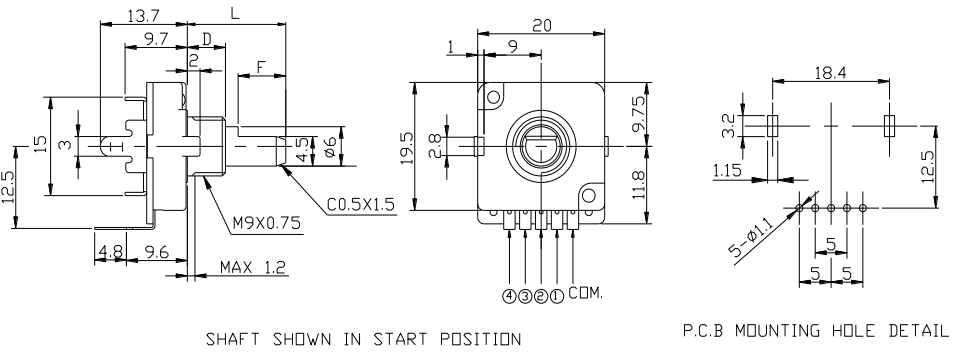
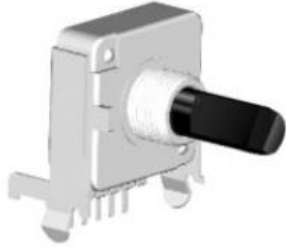
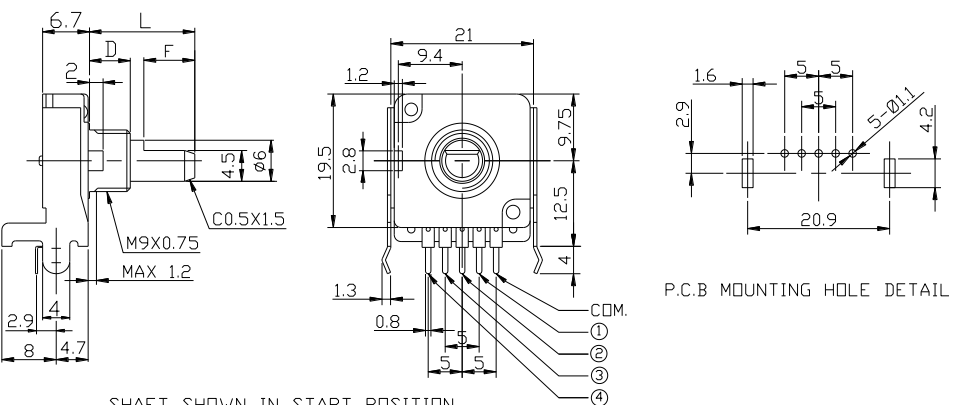
#### [Resolution](#)

Code	Position Type
4G	16-Position Gray Code
4B	16-Position Binary Code

## 20mm Gray & Binary Rotary Encoder

### Model Description

Model	Terminal Type	Switch	Bushing Type (D)		Bushing Thread
RE2001F-40E2	Vertical	Without switch	Ø9mm	6mm	With thread
RE200F-40E2	Vertical	Without switch	Ø9mm	6mm	With thread
RE200F-20E2	Horizontal	Without switch	Ø9mm	6mm	With thread

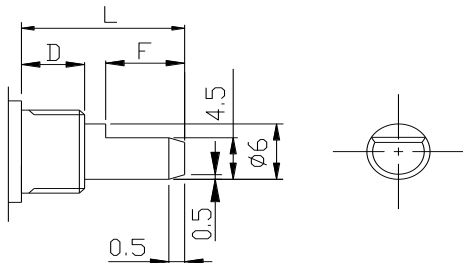
Order code	Outline Drawing
<p>RE2001F-40E2</p> 	 <p>SHAFT SHOWN IN START POSITION</p> <p>P.C.B. MOUNTING HOLE DETAIL</p>
<p>RE200F-40E2</p> 	 <p>SHAFT SHOWN IN START POSITION</p> <p>P.C.B. MOUNTING HOLE DETAIL</p>
<p>RE200F-20E2</p> 	 <p>SHAFT SHOWN IN START POSITION</p> <p>P.C.B. MOUNTING HOLE DETAIL</p>

[Back to top](#)

## 20mm Gray & Binary Rotary Encoder

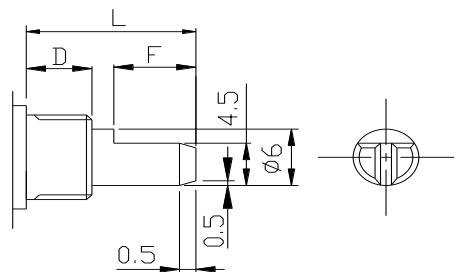
### ■ Shaft and Bushing Dimensions

#### F Type



D	6(E2)	6(E2)
L	15.5	20
F	7.5	10

#### A Type



D	6(E2)
L	25
F	12

### ■ Standard Codes

The ● mark shows the ON position

		Position															
Code	Terminal	1	2	3	4	5	6	7	8	9	10	11	12	13	14	15	16
Gray	1		●	●			●	●			●	●			●	●	
	2			●	●	●	●					●	●	●	●		
	3					●	●	●	●	●	●	●	●				
	4									●	●	●	●	●	●	●	●

### ■ Standard Codes

The ● mark shows the ON position

		Position															
Code	Terminal	1	2	3	4	5	6	7	8	9	10	11	12	13	14	15	16
Binary	1		●		●		●		●		●		●		●		●
	2			●	●			●	●			●	●			●	●
	3					●	●	●	●					●	●	●	●
	4									●	●	●	●	●	●	●	●

Design and specifications presented here are for the standard parts only. Please kindly contact us for your special requests and ask for the current technical specifications before purchase and/or use.

[Back to top](#)

# Mouser Electronics

Authorized Distributor

Click to View Pricing, Inventory, Delivery & Lifecycle Information:

[Alpha \(Taiwan\):](#)

[RE200F-20E2-20F-4B-007](#) [RE2001F-40E2-20F-4B-009](#) [RE200F-40E2-155F-4G-007](#)