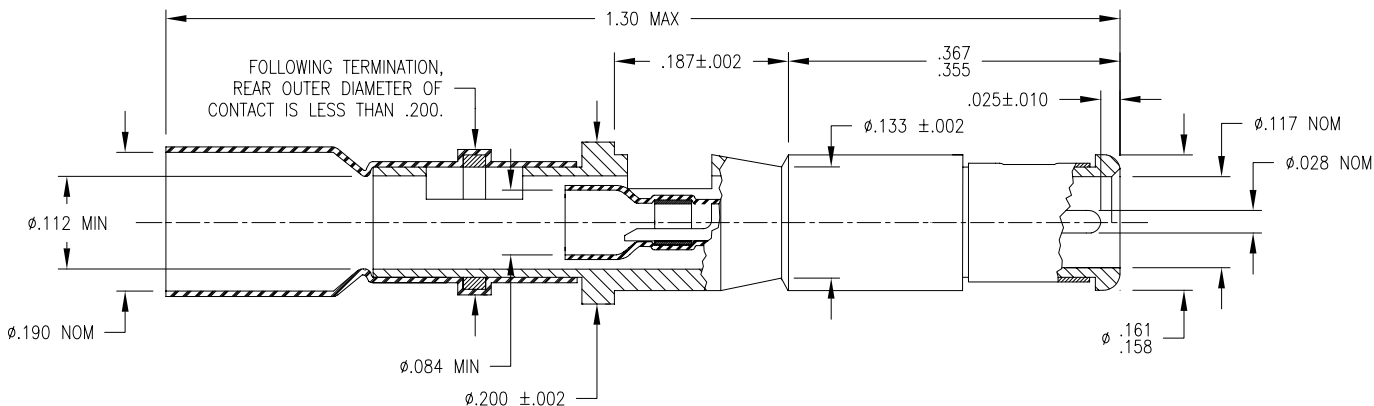


TYCO ELECTRONICS RESERVES THE RIGHT TO AMEND THIS DRAWING AT ANY TIME. USERS SHOULD EVALUATE THE SUITABILITY OF THE PRODUCT FOR THEIR APPLICATION.

REVISIONS

LTR	DESCRIPTION	DATE	APPROVED
G	REVISED PER ECN# T-8548	---	---
H	REVISED PER DCR# T-22014	12/17/98	M. HIGGY
J	REVISED PER DCR D030520	2/24/06	M. HIGGY



NOTES:

1. THIS CONTACT IS DESIGNED FOR USE IN MIL-C-26482, SERIES I CONNECTORS.
2. THIS CONTACT IS DESIGNED TO ACCOMODATE COAXIAL CABLES LISTED IN THE TABLE.
3. MATING CONTACT (FOR SIMILAR CABLES): D-602-17.
4. FOR TERMINATION PROCEDURE, SEE RAYCHEM SPECIFICATION ES 61161.

RG CABLE NO.	RAYCHEM CABLE NO.
RG 174 /U	5024A 1X1X
RG 179A /U	5026A 1X1X
RG 316	5028A 1X1X
	5030A 1X1X
	7528A 1X1X
	7530A 1X1X
	9532A 1X1X

CONTACT CHARACTERISTICS:

MATERIALS:

1. OUTER CONTACT: BRASS PER ASTM B16/B16M.
PLATING: GOLD PER ASTM B488 (MIL-G-45204), NICKEL PER AMS QQ-N-290, OVER COPPER FLASH.
2. INNER CONTACT: BRASS PER ASTM B16/B16M.
PLATING: GOLD PER ASTM B488 (MIL-G-45204), NICKEL PER AMS QQ-N-290, OVER COPPER FLASH.
3. SPRING CLIP: BERYLLIUM COPPER PER ASTM B194.
PLATING: NICKEL PER AMS QQ-N-290.
4. DIELECTRIC: ETFE FLUOROPOLYMER PER ASTM D3159.
5. SOLDER: SN63 PER ANSI/J-STD-006.
FLUX: ROL1 PER ANSI/J-STD-004.
6. CABLE SUPPORT TUBING: HEAT-SHRINKABLE, RADIATION CROSS-LINKED POLYVINYLIDENE FLUORIDE.

PERFORMANCE:

- TEMPERATURE RATING: 125°C MAXIMUM
 CURRENT RATING: 3 AMPS
 VOLTAGE RATING: DIELECTRIC WITHSTANDING VOLTAGE: 900 VOLTS RMS, MAXIMUM.
 CONTACT RESISTANCE: 5 MILLIOHMS MAXIMUM
 INSULATION RESISTANCE: 5,000 MEGAOHMS MINIMUM.
 ENGAGEMENT FORCE: OUTER SOCKET: 20.0 OZ. MAXIMUM
 SEPARATION FORCE: OUTER SOCKET: 3.0 OZ. MINIMUM

If this document is printed it becomes uncontrolled. Check for the latest revision

© 2006 Tyco Electronics Corporation. All rights reserved.

SPECIFICATION CONTROL DRAWING

UNLESS OTHERWISE SPECIFIED DIMENSIONS ARE IN INCHES. METRIC DIMENSIONS ARE IN BRACKETS.	DRAWN	MFORONDA	10.15.03	tyco Electronics	Tyco Electronics Corporation 300 Constitution Drive Menlo Park, CA. 94025 U.S.A.	Raychem
	CHECKED					
	APPROVED	M.HIGGY	10.15.03	TITLE		
	APPROVED			COAXIAL CONTACT SIZE 12 SOCKET		
CAD NAME: D030520.dwg						
DECIMALS .XXX ± _____ .XX ± _____ ANGLES _____	THIRD ANGLE PROJECTION			SIZE	CODE IDENT. NO.	DWG. NO.
WEIGHT ---				A	06090	D-602-16
DO NOT SCALE THIS DRAWING					SHEET 1 OF 1	