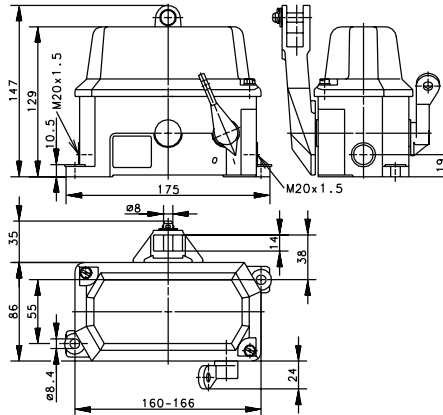


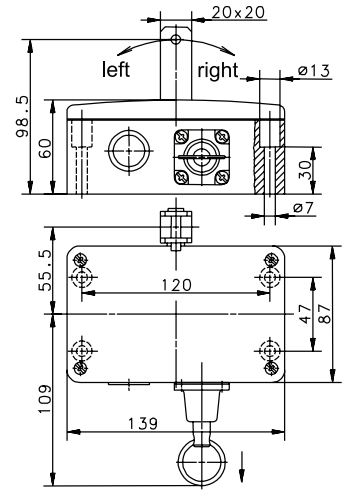
SiRK and Si1 Series



SiRK



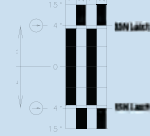
Si1



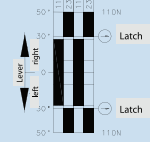
Variant 1

Article No.
Designation
Max. span

601.5625.001
SiRK-U2Z R
2 x 75 m



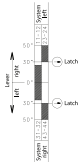
601.4735.001
Si1-U2Z AK R-RAST
2 x 50 m



Variant 2

Article No.
Designation
Max. span

601.4735.025
Si1-U1Z/U1Z AK R-RAST
2 x 50 m



Variant 3

Article No.
Designation
Max. span

Technical Information

Maximum Switching Voltage	240V	240V
Maximum Switching Amperage	10A	10A
B10d	0.2 Million	2 Million
Mechanical Service Life	1 x 10 ⁵	1 x 10 ⁵
Switching Frequency	≤ 30/min	≤ 10/min
Operating Temperature	-30 °C to +80 °C	-30 °C to +80 °C
Protection Rating	IP65	IP65
Utilization Category	AC 15, A 300 240 V / 3 A, 120 V / 6 A DC 13, Q300 250 V / 0.27 A, 125 V / 0.55 A	AC-15, U / I _e 240 V / 3 A
Rate Insulation Voltage	250VAC	250VAC
Approvals		