



PHANTOM[®] UHF ANTENNA OUTPERFORMS CONVENTIONAL MOBILE ANTENNAS IN MANY APPLICATIONS

Laird's unique patented Phantom[®] is a tough antenna for outdoor or indoor applications. Measuring only 3.4" tall, the Phantom UHF antenna's revolutionary design features vertical polarization components. The Phantom[®] provides low visibility, wide bandwidth and a low angle radiation pattern that is superior to traditional gain antennas in most applications.

The industry standard NMO mounting socket mates with all Laird magnetic, trunk lid, and hole mounts. A threaded permanent stud mount model is also available for vandal resistant mounting on brackets, panels, ceilings or any other kind of housing.

The Phantom[®] patented technology is beneficial when high performance is desired and extreme ruggedness and low profile is required.

FEATURES

- Phantom[®] outperforms a 3dB whip in many applications
- U.S. Patent Nos. 5,977,931 – 6,292,156 and 7,209,096

MARKETS

- Public safety
- Transportation
- Utility
- Military mobile
- Fixed radio applications

SPECIFICATIONS

ELECTRICAL

| | |
|--|---|
| VSWR (Measured on 2' x 2' GP) | < 1.5:1 @ 10 MHz < 2.0:1 @ 20 MHz |
| Peak Gain | 3 dBi |
| Maximum Power | 100 W |
| Nominal Impedance | 50 Ω |
| Polarization | Vertical |
| Pattern | Omnidirectional |
| Half-Power Beamwidth (Elevation° x Azimuth°) | 146° x 360° |
| Coaxial Cable Length & Type | None |
| Terminations | NMO |
| Noise Suppressor | BlackHawk NS1535 1-35 VOLT, 15 Amp Noise Suppressor (Sold Separately) |

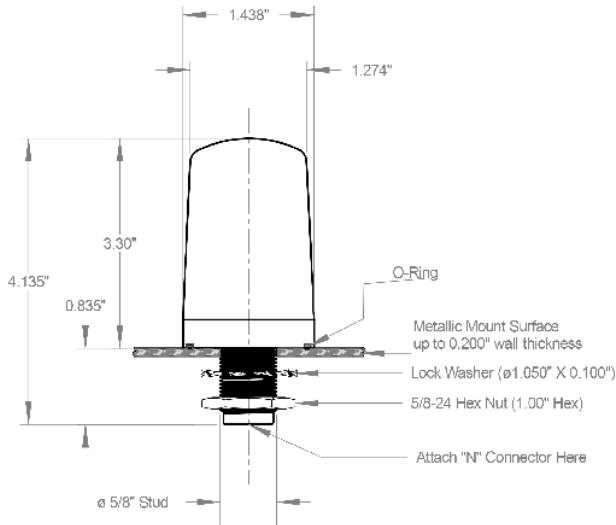
Americas: +1.847.839.6907
IAS-AmericasEastSales@lairdtech.com

Europe: +44.1628.858941
IAS-EUSales@lairdtech.com

Asia: +86.21.5855.0827.127
IAS-AsiaSales@lairdtech.com

www.lairdtech.com

FORM FACTOR DRAWING



SPECIFICATIONS

| MECHANICAL | |
|--|----------------------------|
| Height (initially) | 3½" * |
| Diameter | 1.438" |
| Weight | 0.21 lbs. |
| Rated Wind Velocity | 125mph (210 kph) |
| Rated Wind Velocity (with 0.5" radial ice) | 85mph (137 kph) |
| Lateral Thrust @ 125mph Wind Velocity | 57 lbs. (26kg) |
| Wind Resistance in Sq. Feet | 0.0356 Sq. ft. |
| Material | ABS |
| Mounting Information | NMO or Permanent Mountable |

* Add .835" for Permanent Mount option

Permanent Mounting Option:

Please order by antenna model and insert letter "P" to indicate permanent mounting option (TRA4503P).

MODEL AND ORDERING INFORMATION

| MODEL | DESCRIPTION |
|-----------|---|
| TRA3003 | 300-305 MHz 3 dBi Phantom [®] ¾ NMO, White Radome |
| TRAB3003 | 300-305 MHz 3 dBi Phantom [®] ¾ NMO, Black Radome |
| TRA3803 | 380-400 MHz 3 dBi Phantom [®] ¾ NMO, White Radome |
| TRAB3803 | 380-400 MHz 3 dBi Phantom [®] ¾ NMO, Black Radome |
| TRA4063 | 406-425 MHz 3 dBi Phantom [®] ¾ NMO, White Radome |
| TRAB4063 | 406-425 MHz 3 dBi Phantom [®] ¾ NMO, Black Radome |
| TRA4103 | 410-430 MHz 3 dBi Phantom [®] ¾ NMO, White Radome |
| TRAB4103 | 410-430 MHz 3 dBi Phantom [®] ¾ NMO, Black Radome |
| TRA4303 | 430-450 MHz 3 dBi Phantom [®] ¾ NMO, White Radome |
| TRAB4303 | 430-450 MHz 3 dBi Phantom [®] ¾ NMO, Black Radome |
| TRA4503 | 450-470 MHz 3 dBi Phantom [®] ¾ NMO, White Radome |
| TRAB4503 | 450-470 MHz 3 dBi Phantom [®] ¾ NMO, Black Radome |
| TRA4703 | 470-490 MHz 3 dBi Phantom [®] ¾ NMO, White Radome |
| TRAB4703 | 470-490 MHz 3 dBi Phantom [®] ¾ NMO, Black Radome |
| TRA4903 | 490-512 MHz 3 dBi Phantom [®] ¾ NMO, White Radome |
| TRAB4903 | 490-512 MHz 3 dBi Phantom [®] ¾ NMO, Black Radome |
| Sealtube3 | Heat shrink tubing 3"x1" DIA Elite install (use for jaw protector on installation wrench) |

ANT-DS-PHANTOM UHF 0615

Any information furnished by Laird, Inc. and its agents is believed to be accurate and reliable. All specifications are subject to change without notice. Responsibility for the use and application of Laird materials rests with the end user. Laird makes no warranties as to the fitness, merchantability, suitability or non-infringement of any Laird materials or products for any specific or general uses. Laird shall not be liable for incidental or consequential damages of any kind. All Laird products are sold pursuant to the Laird Terms and Conditions of sale in effect from time to time, a copy of which will be furnished upon request. © Copyright 2015 Laird, Inc. All Rights Reserved. Laird, Laird Technologies, the Laird Technologies Logo, and other marks are trade marks or registered trade marks of Laird, Inc. or an affiliate company thereof. Other product or service names may be the property of third parties. Nothing herein provides a license under any Laird Technologies or any third party intellectual property rights.