

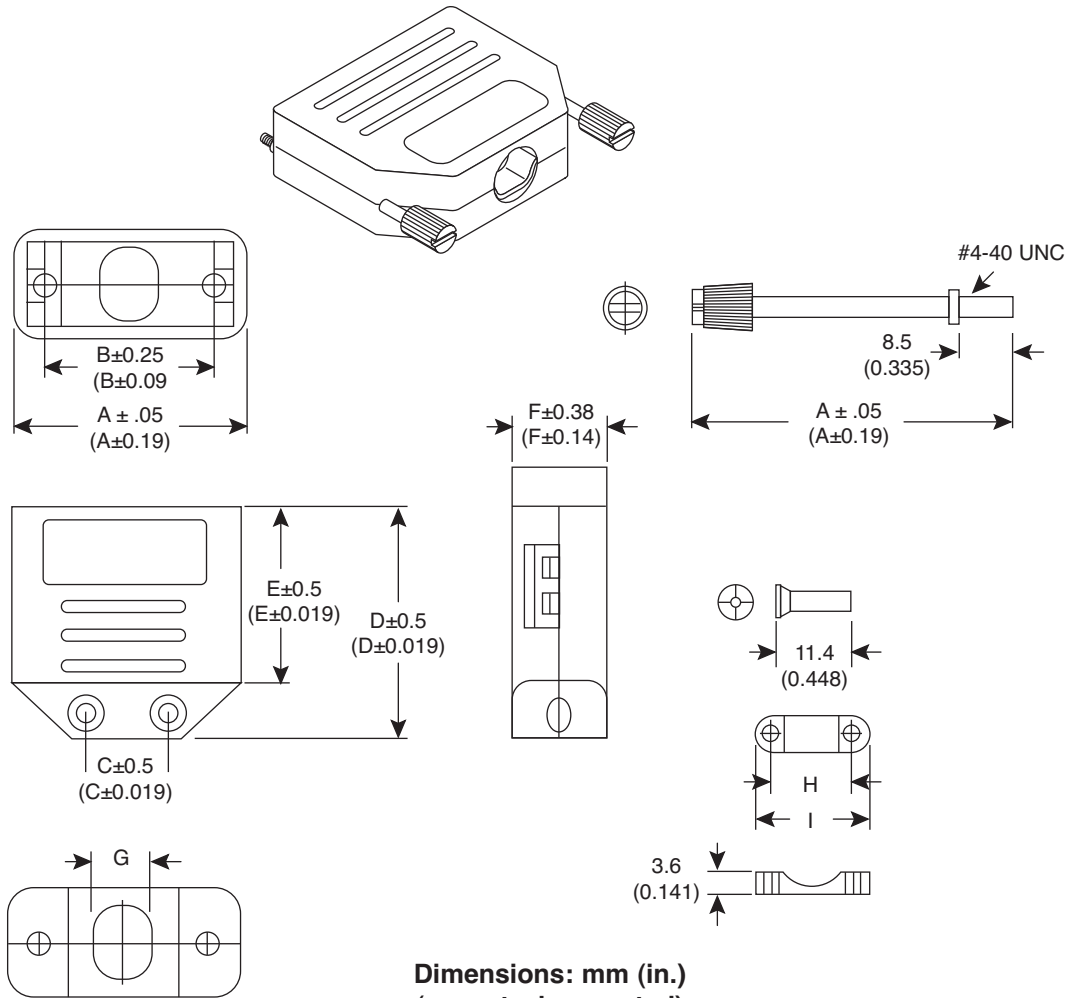
# D-Sub Connector Hoods

152-9009-EX, 152-9015-EX, 152-9025-EX, 152-9037-EX



D-Sub Connector Hoods

152-9009-EX, 152-9015-EX, 152-9025-EX, 152-9037-EX



**Dimensions: mm (in.)  
(except where noted)**

Mouser Stock No.	Shell Size	Dimensions: mm								
		A	B	C	D	E	F	G	H	I
152-9009-EX	DB9	33.8	24.99	12	33.3	24.6	14	8.5	12	17
152-9015-EX	DB15	42.2	33.32	16	32.8	12.6	14.5	9.5	16	21
152-9025-EX	DB25	56.3	47.04	16	36.5	23.6	15	11	16	21
152-9037-EX	DB37	72.7	63.5	16	39.2	25.4	14.5	11	15	21

SPECIFICATIONS	
<b>Type:</b>	One piece, hinged, unshielded with side snap locks
<b>Cover/Clamp:</b>	Polyporpylene
<b>Screws:</b>	Steel
<b>Color:</b>	Black
<b>RoHS Compliant by Exemption</b>	

Date Last Revised: 6-9-09

**Available from Mouser Electronics**  
1-800-346-6873 / [www.mouser.com](http://www.mouser.com)

KC-301358

Specifications are subject to change without notice. No liability or warranty implied by this information. Environmental compliance based on producer documentation.