

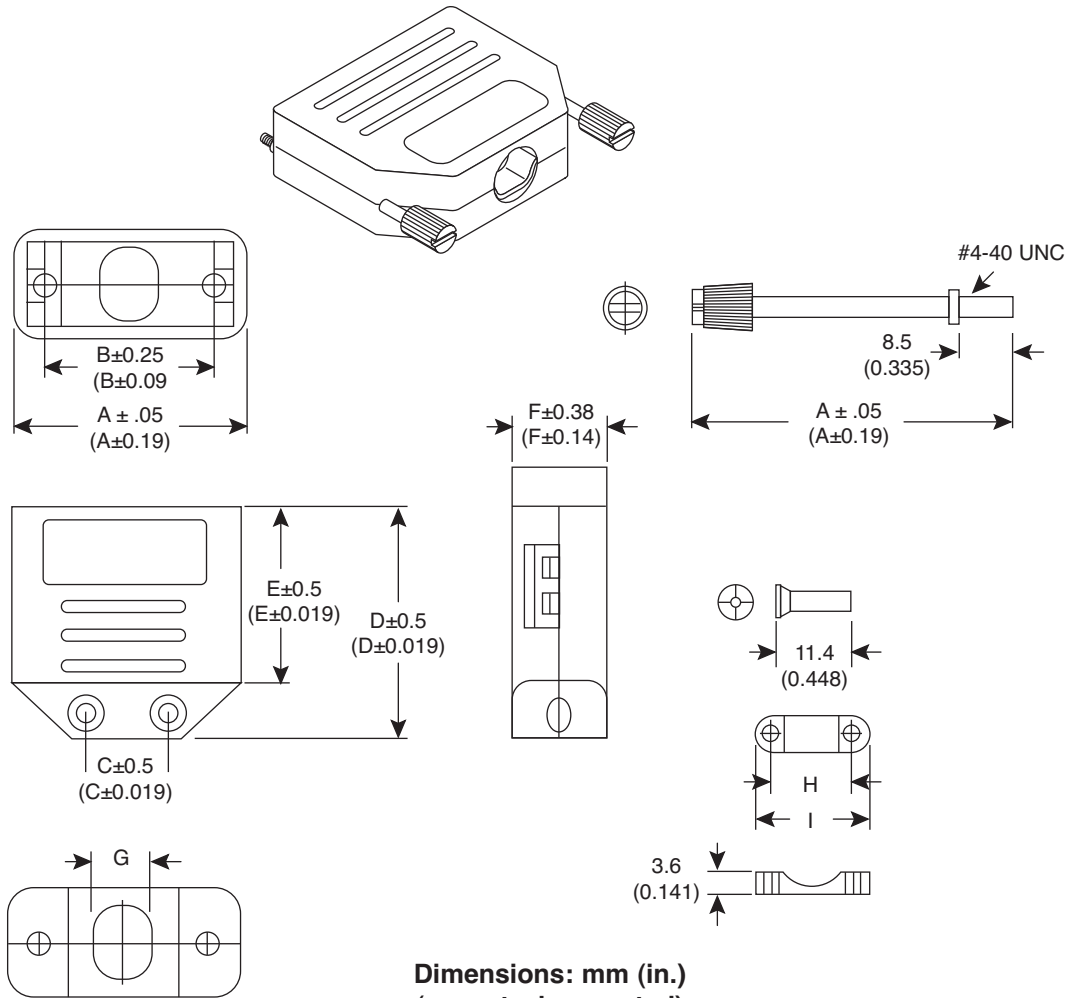
D-Sub Connector Hoods

152-9009-EX, 152-9015-EX, 152-9025-EX, 152-9037-EX



D-Sub Connector Hoods

152-9009-EX, 152-9015-EX, 152-9025-EX, 152-9037-EX



**Dimensions: mm (in.)
(except where noted)**

Mouser Stock No.	Shell Size	Dimensions: mm								
		A	B	C	D	E	F	G	H	I
152-9009-EX	DB9	33.8	24.99	12	33.3	24.6	14	8.5	12	17
152-9015-EX	DB15	42.2	33.32	16	32.8	12.6	14.5	9.5	16	21
152-9025-EX	DB25	56.3	47.04	16	36.5	23.6	15	11	16	21
152-9037-EX	DB37	72.7	63.5	16	39.2	25.4	14.5	11	15	21

SPECIFICATIONS	
Type:	One piece, hinged, unshielded with side snap locks
Cover/Clamp:	Polyporpylene
Screws:	Steel
Color:	Black
RoHS Compliant by Exemption	

Date Last Revised: 6-9-09

Available from Mouser Electronics
1-800-346-6873 / www.mouser.com

KC-301358

Specifications are subject to change without notice. No liability or warranty implied by this information. Environmental compliance based on producer documentation.