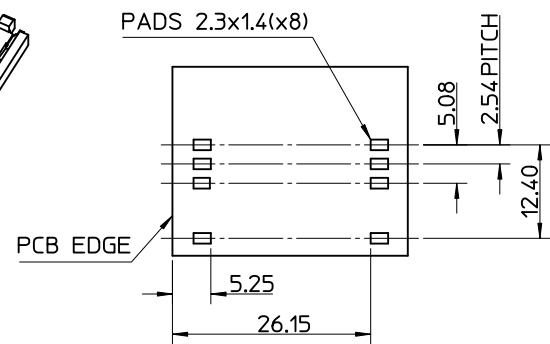
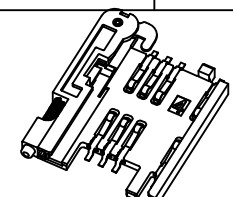
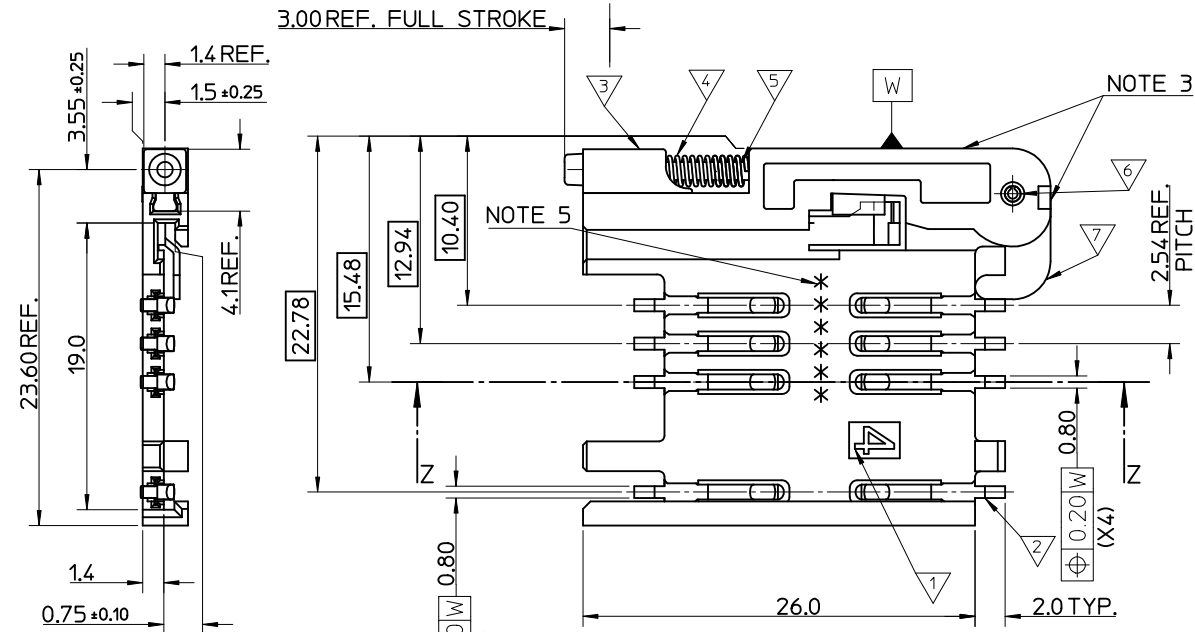
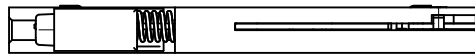


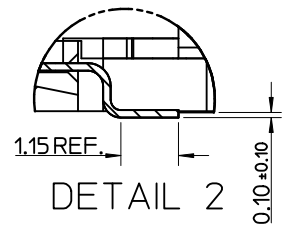
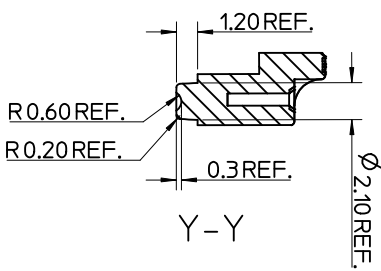
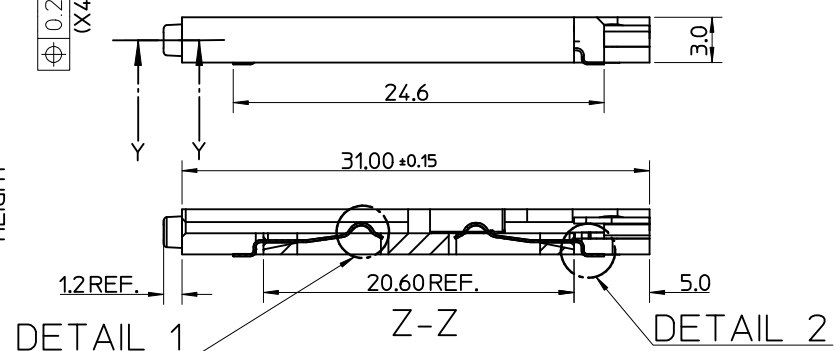
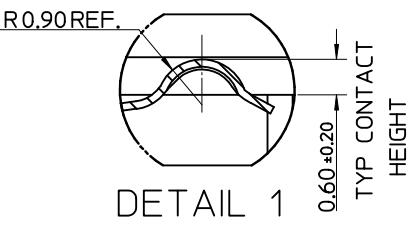
MATERIAL NUMBER	DESCRIPTION
912283001	REELED ONTO CARDBOARD REEL
912283019	REELED ONTO PLASTIC REEL



RECOMMENDED PCB LAYOUT
(COMPONENT SIDE)

- NOTES:
- SEE PRODUCT SPECIFICATION PS-99020-0071.
 - PACKAGING: TAPE & REEL, FOR DETAIL SEE SDA-91228-9001, SHEET 1
 - PUSH ROD/LEVER MUST NOT PROTRUDE BEYOND HOUSING EDGE IN THIS AREA.
 - TAILS ON EACH SIDE OF CONNECTOR TO LIE WITHIN 0.12 mm OF EACH OTHER
 - DATECODE: (YEAR, WEEK, WEEK, DAY, HOUR, HOUR)

ITEM	COMPONENT	QTY	MATERIAL
▽	HOUSING	1	LIQUID CRYSTAL POLYMER (LCP) 30% GLASS FILL, JL94 V-O, COLOUR: BLACK
▽	TERMINAL	8	0.15 PHOSPHOR BRONZE, 0.14μm MIN Au OVER Pd/Ni IN CONTACT AREA 2.54μm MIN Sn ON SMT TAILS
▽	PUSH BUTTON	1	GF POLYAMIDE 6T/66, YELLOW
▽	COIL SPRING	1	0.25 REF THK STAINLESS STEEL
▽	PUSH ROD	1	0.4 REF THK STAINLESS STEEL
▽	C-PIN	1	STEEL
▽	LEVER	1	0.4 REF THK STAINLESS STEEL



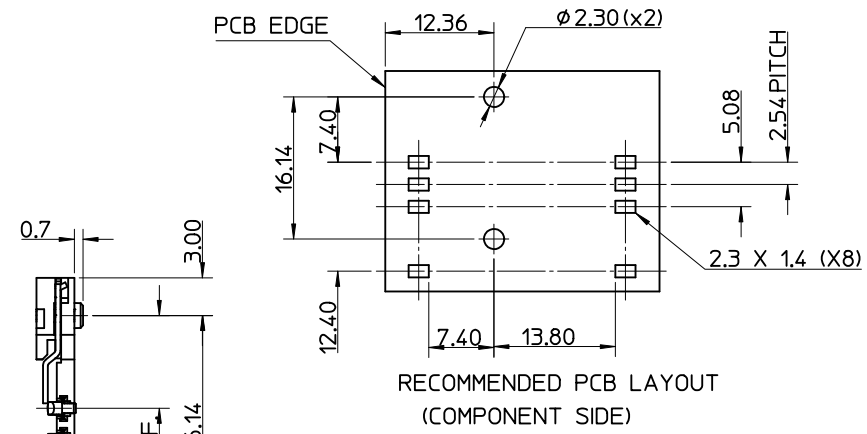
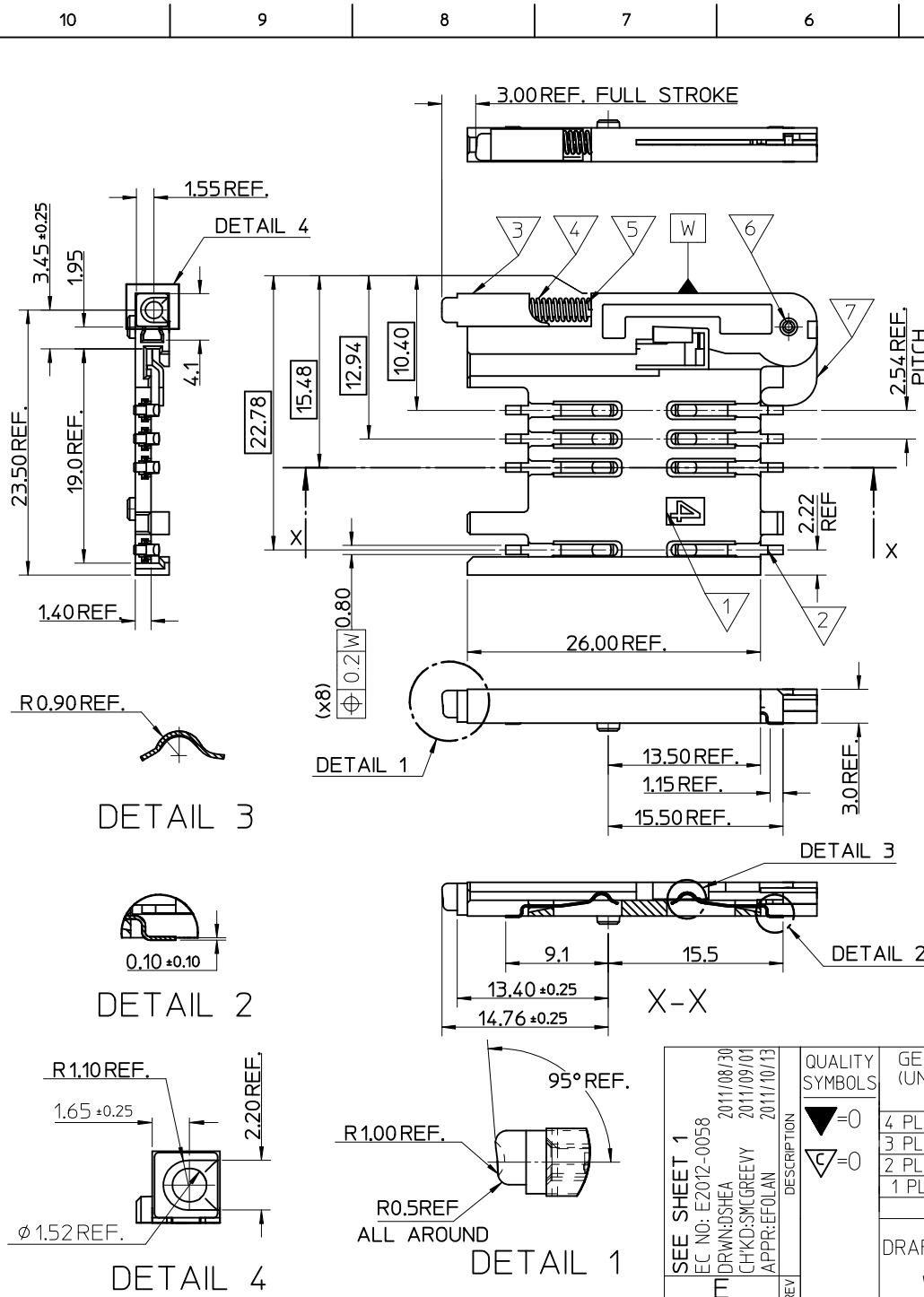
REV	DESCRIPTION
1	ADDED REEL OPTION
2	DRW:NDLSHEA 2011/08/30
3	CHKD:SMCGREEVY 2011/09/01
4	APPR:EFOLAN 2011/10/13

QUALITY SYMBOLS	VALUE
▽=0	
∇=0	

GENERAL TOLERANCES (UNLESS SPECIFIED)	DIMENSION STYLE	
	MM ONLY	SCALE
4 PLACES	± ---	± ---
3 PLACES	± ---	± ---
2 PLACES	± 0.05	± ---
1 PLACE	± 0.1	± ---
ANGULAR ± 2 °		
DRAFT WHERE APPLICABLE MUST REMAIN WITHIN DIMENSIONS		

DRAWN BY		DATE	
RFORREY		2006/11/27	
CHECKED BY		DATE	
FDUGGAN		2006/11/27	
APPROVED BY		DATE	
EFOLAN		2006/11/27	
MATERIAL NO.			
SEE TABLE			

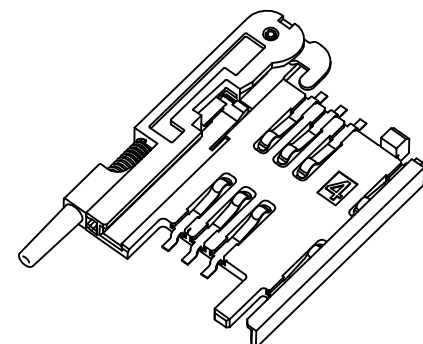
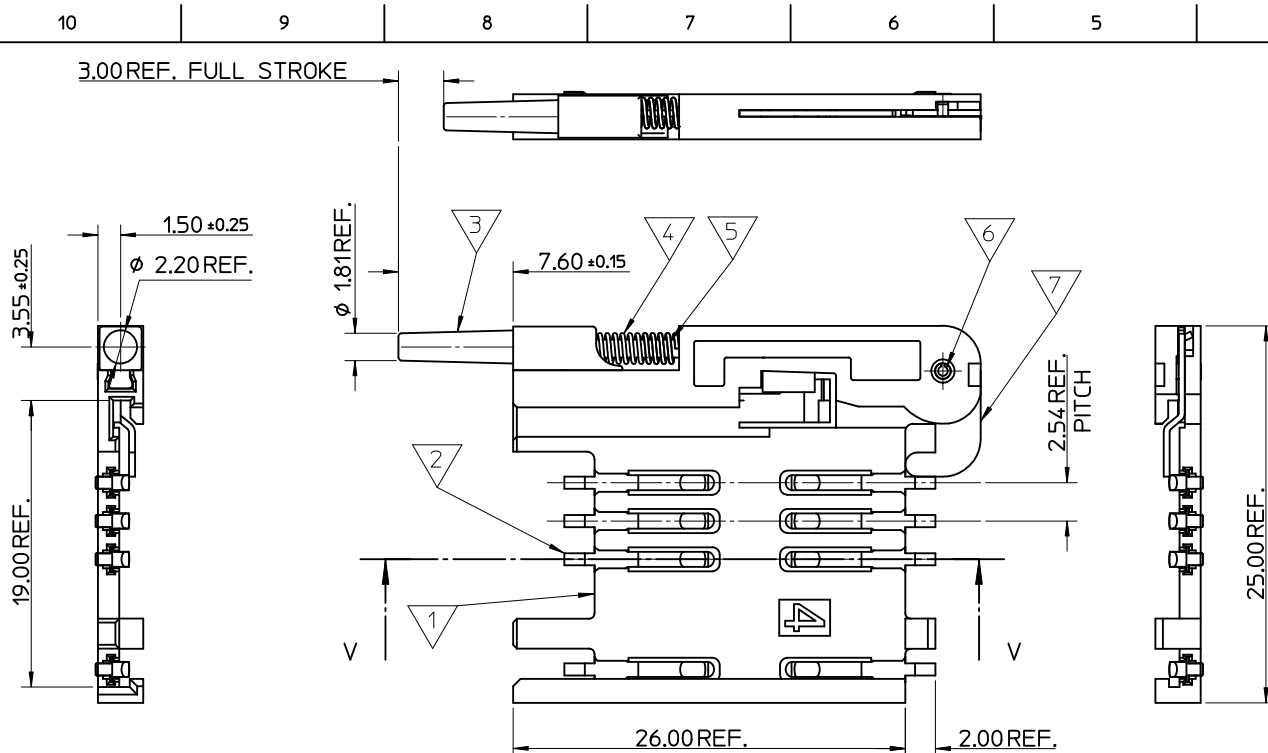
SCALE	DESIGN UNITS	THIRD ANGLE PROJECTION
5:1	METRIC	THIRD ANGLE PROJECTION
TITLE		
SIM CONNECTOR ASSY		
MOLEX INCORPORATED		
DOCUMENT NO.	SHEET NO.	
SD-91228-001	1 OF 6	



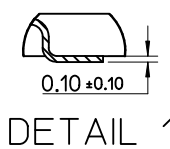
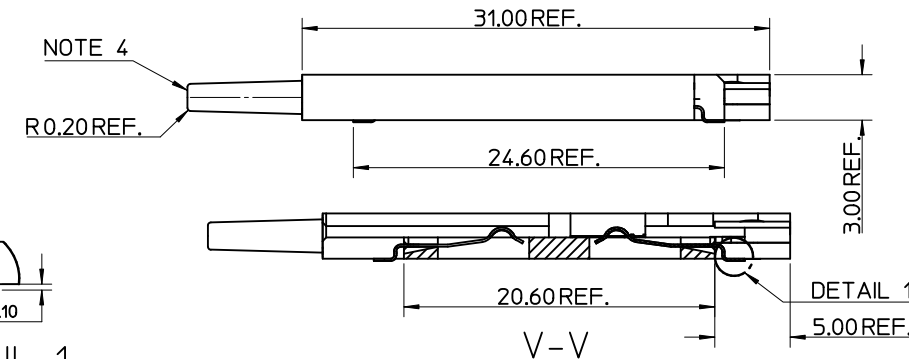
- NOTES:
1. SEE PRODUCT SPECIFICATION PS-99020-0071.
 2. PACKAGING: TAPE & REEL, FOR DETAIL SEE SDA-91228-9001, SHEET 1
 3. FOR ALL UNSPECIFIED DIMENSIONS AND NOTES SEE SHEET 1.

ITEM	COMPONENT	QTY	MATERIAL
▽	HOUSING		LIQUID CRYSTAL POLYMER (LCP) 30% GLASS FILL, UL94 V-0, COLOUR: BLACK
▽	TERMINAL		0.15 PHOSPHOR BRONZE. 0.14mm MIN Au OVER Pd/Ni IN CONTACT AREA 2.54mm MIN Sn ON SMT TAILS
▽	PUSH BUTTON		GF POLYAMIDE 6T/66. BLACK.
▽	COIL SPRING		0.25 REF THK STAINLESS STEEL
▽	PUSH ROD		0.4 REF THK STAINLESS STEEL
▽	C-PIN		STEEL
▽	LEVER		0.4 REF THK STAINLESS STEEL

SEE SHEET 1 EC NO: E2012-0058 DRWN: DSHEA 2011/08/30 CHKD: SMGREEVY 2011/09/01 APPR: EFOLAN 2011/10/13	QUALITY SYMBOLS ▽ = 0 ▽ = 0	GENERAL TOLERANCES (UNLESS SPECIFIED)		DIMENSION STYLE MM ONLY		SCALE 5:1	DESIGN UNITS METRIC	THIRD ANGLE PROJECTION	
		4 PLACES ± --- ± --- 3 PLACES ± --- ± --- 2 PLACES ± 0.05 ± --- 1 PLACE ± 0.1 ± --- ANGULAR ± 2°	mm INCH ± --- ± --- ± --- ± --- ± 0.05 ± --- ± 0.1 ± ---	DRAWN BY RFORREY	DATE 2006/11/27	TITLE SIM CONNECTOR ASSY		MOLEX INCORPORATED	
DRAFT WHERE APPLICABLE MUST REMAIN WITHIN DIMENSIONS		MATERIAL NO. 912283002		DOCUMENT NO. SD-91228-001		SHEET NO. 2 OF 6		THIS DRAWING CONTAINS INFORMATION THAT IS PROPRIETARY TO MOLEX INCORPORATED AND SHOULD NOT BE USED WITHOUT WRITTEN PERMISSION	

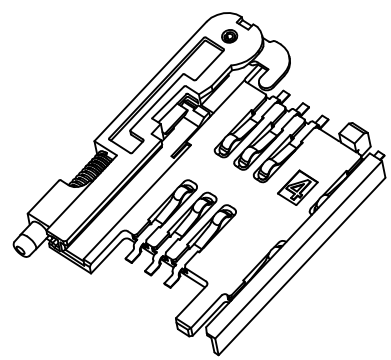
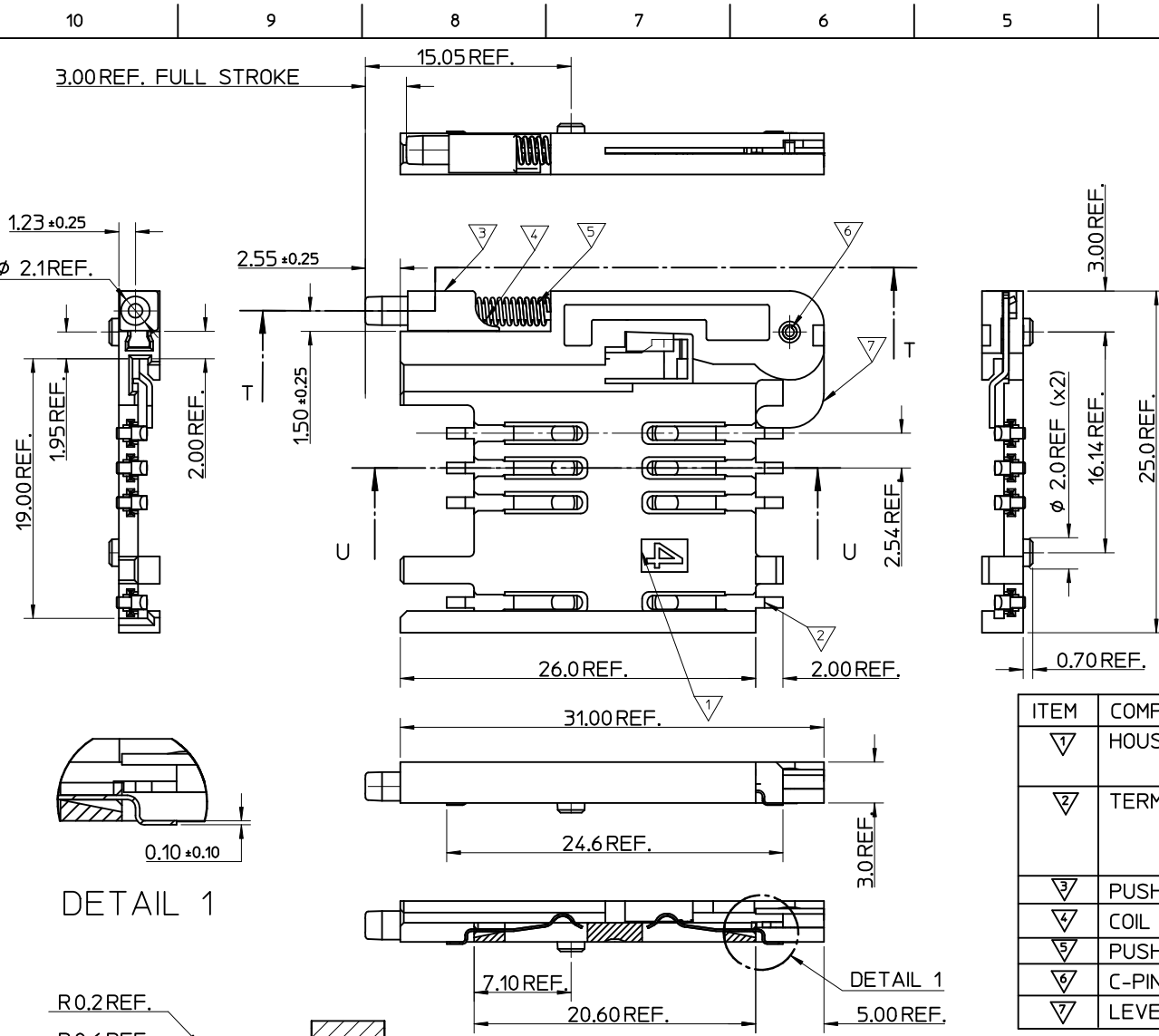


- NOTES:
1. SEE PRODUCT SPECIFICATION PS-91228-004.
 2. PACKAGING: TAPE & REEL, FOR DETAIL SEE SDA-91228-9001, SHEET 2.
 3. SEE SHEET 1 FOR ALL UNSPECIFIED NOTES AND DIMENSIONS.
 4. ALLOWABLE FLASH IN THIS AREA 0.3mm MAX.



ITEM	COMPONENT	QTY	MATERIAL
1	HOUSING	1	LIQUID CRYSTAL POLYMER (LCP) 30% GLASS FILL, UL94 V-0, COLOUR: BLACK
2	TERMINAL	8	0.15 PHOSPHOR BRONZE. 0.14mm MIN Au OVER Pd/Ni IN CONTACT AREA 2.54mm MIN Sn ON SMT TAILS
3	PUSH BUTTON	1	GF POLYAMIDE 6T/66, NATURAL
4	COIL SPRING	1	0.25 REF THK STAINLESS STEEL
5	PUSH ROD	1	0.4 REF THK STAINLESS STEEL
6	C-PIN	1	STEEL
7	LEVER	1	0.4 REF THK STAINLESS STEEL

SEE SHEET 1 IEC NO: E2012-0058 DRW: DRWDSHEA 2011/08/30 CHKD: SMCREEVY 2011/09/01 APPR: EFOLAN 2011/10/13	QUALITY SYMBOLS ▽ = 0 ◻ = 0	GENERAL TOLERANCES (UNLESS SPECIFIED)		DIMENSION STYLE MM ONLY		SCALE 5:1	DESIGN UNITS METRIC	THIRD ANGLE PROJECTION	
			mm	INCH	DRAWN BY RFORREY	DATE 2006/11/27	TITLE SIM CONNECTOR ASSY		
		4 PLACES	± ---	± ---	CHECKED BY FDUGGAN	DATE 2006/11/27			
		3 PLACES	± ---	± ---	APPROVED BY EFOLAN	DATE 2006/11/27	MOLEX INCORPORATED DOCUMENT NO. SD-91228-001 SHEET NO. 3 OF 6		
2 PLACES	± 0.05	± ---	MATERIAL NO. 912283005						
1 PLACE	± 0.1	± ---	DRAFT WHERE APPLICABLE MUST REMAIN WITHIN DIMENSIONS		THIS DRAWING CONTAINS INFORMATION THAT IS PROPRIETARY TO MOLEX INCORPORATED AND SHOULD NOT BE USED WITHOUT WRITTEN PERMISSION				
ANGULAR ± 2 °									



- NOTES:
1. SEE PRODUCT SPECIFICATION PS-99020-0071.
 2. PACKAGING: TAPE & REEL, FOR DETAIL SEE SDA-91228-9001, SHEET 2.
 3. SEE SHEETS 1 & 2 FOR ALL UNSPECIFIED NOTES AND DIMENSIONS.

ITEM	COMPONENT	QTY	MATERIAL
▽1	HOUSING	1	LIQUID CRYSTAL POLYMER (LCP) 30% GLASS FILL, UL94 V-0, COLOUR: BLACK
▽2	TERMINAL	8	0.15 PHOSPHOR BRONZE. 0.14mm MIN Au OVER Pd/Ni IN CONTACT AREA 2.54mm MIN Sn ON SMT TAILS
▽3	PUSH BUTTON	1	GF POLYAMIDE 6T/66, BLACK.
▽4	COIL SPRING	1	0.25 REF THK STAINLESS STEEL
▽5	PUSH ROD	1	0.4 REF THK STAINLESS STEEL
▽6	C-PIN	1	STEEL
▽7	LEVER	1	0.4 REF THK STAINLESS STEEL

DETAIL 1

DETAIL 1

SEE SHEET 1
EC NO: E2012-0058
DRWN: DSHEA 2011/08/30
CHKD: SMCGREWY 2011/09/01
APPR: EFOLAN 2011/10/13

QUALITY SYMBOLS
▽=0
▽=0

GENERAL TOLERANCES (UNLESS SPECIFIED)

	mm	INCH
4 PLACES	± 0.15	± 0.006
3 PLACES	± 0.20	± 0.008
2 PLACES	± 0.25	± 0.010
1 PLACE	± 0.30	± 0.012

ANGULAR ± 2°

DRAFT WHERE APPLICABLE
MUST REMAIN WITHIN DIMENSIONS

DIMENSION STYLE
MM ONLY

DRAWN BY: RFORREY
DATE: 2006/11/27

CHECKED BY: FDUGGAN
DATE: 2006/11/27

APPROVED BY: EFOLAN
DATE: 2006/11/27

MATERIAL NO. 912283006

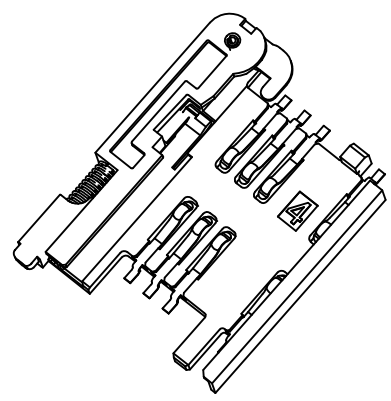
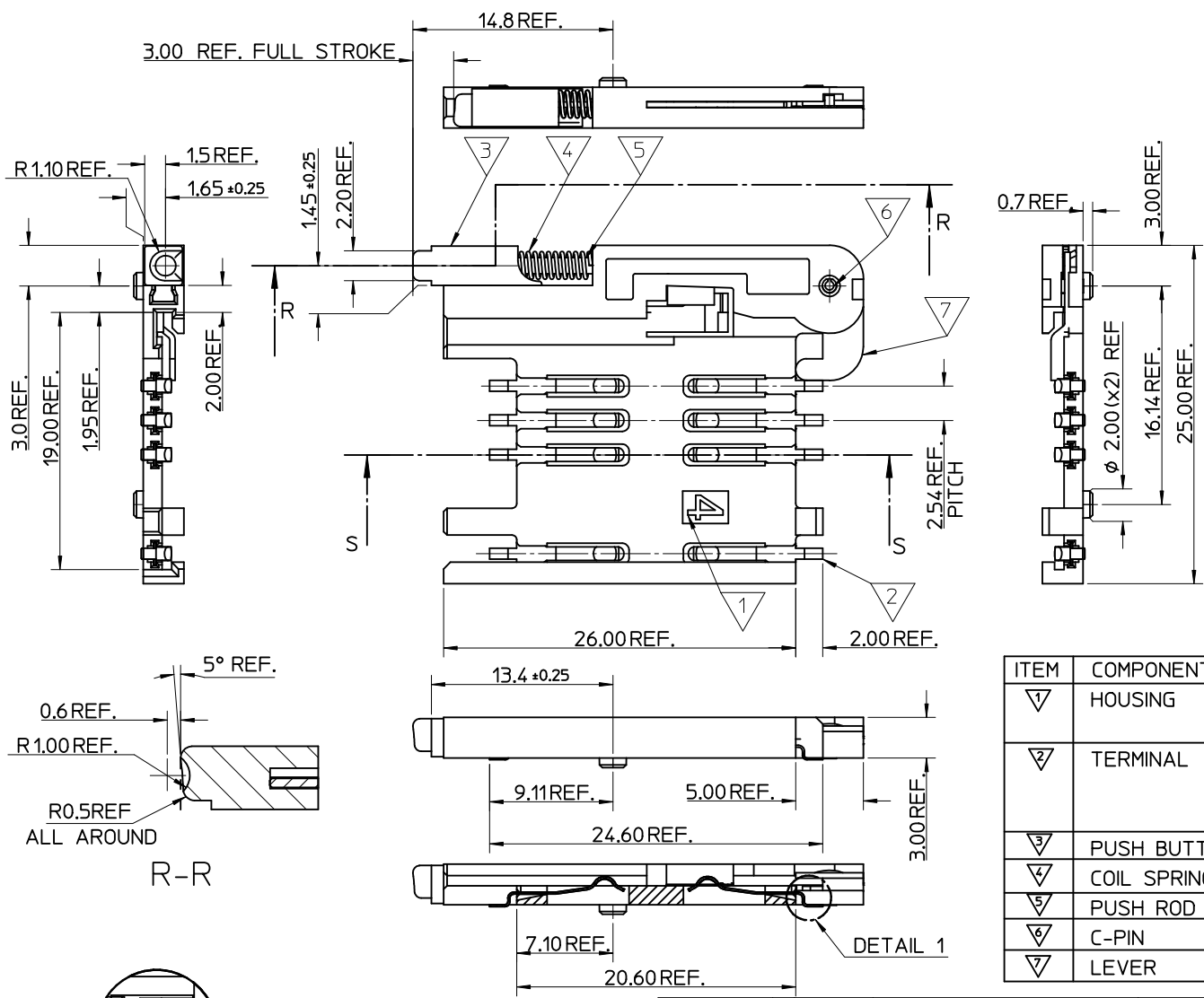
SCALE 5:1
DESIGN UNITS METRIC
THIRD ANGLE PROJECTION

TITLE SIM CONNECTOR ASSY

molex MOLEX INCORPORATED

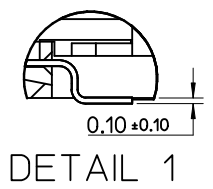
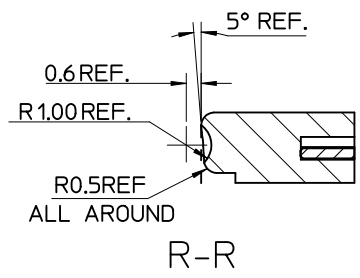
DOCUMENT NO. SD-91228-001
SHEET NO. 4 OF 6

THIS DRAWING CONTAINS INFORMATION THAT IS PROPRIETARY TO MOLEX INCORPORATED AND SHOULD NOT BE USED WITHOUT WRITTEN PERMISSION



- NOTES:
1. SEE PRODUCT SPECIFICATION PS-99020-0071.
 2. PACKAGING: TAPE & REEL, FOR DETAIL SEE SDA-91228-9001, SHEET 1.
 3. SEE SHEET 1 FOR ALL UNSPECIFIED NOTES AND DIMENSIONS.

ITEM	COMPONENT	QTY	MATERIAL
▽	HOUSING	1	LIQUID CRYSTAL POLYMER (LCP) 30% GLASS FILL, UL94 V-0, COLOUR: BLACK
▽	TERMINAL	8	0.15 PHOSPHOR BRONZE. 0.14mm MIN Au OVER Pd/Ni IN CONTACT AREA 2.54mm MIN Sn ON SMT TAILS
▽	PUSH BUTTON	1	GF POLYAMIDE 6T/66, BLUE
▽	COIL SPRING	1	0.25 REF THK STAINLESS STEEL
▽	PUSH ROD	1	0.4 REF THK STAINLESS STEEL
▽	C-PIN	1	STEEL
▽	LEVER	1	0.4 REF THK STAINLESS STEEL



SEE SHEET 1
 EC NO: E2012-0058
 DR: WINDSIEA 2011/08/30
 CH: KD: SMC GREVY 2011/09/01
 APPR: EFOLAN 2011/10/13

REV	DESCRIPTION
1	QUALITY SYMBOLS
2	GENERAL TOLERANCES (UNLESS SPECIFIED)
3	DIMENSION STYLE MM ONLY
4	SCALE 5:1
5	DESIGN UNITS METRIC
6	THIRD ANGLE PROJECTION
7	TITLE
8	MATERIAL NO.
9	DOCUMENT NO.
10	SHEET NO.

PLACES	mm	INCH
4 PLACES	± ---	± ---
3 PLACES	± ---	± ---
2 PLACES	± 0.05	± ---
1 PLACE	± 0.1	± ---
ANGULAR ± 2 °		

DRAWN BY	DATE	CHECKED BY	DATE	APPROVED BY	DATE
RFORREY	2006/11/27	FDUGGAN	2006/11/27	EFOLAN	2006/11/27

TITLE: SIM CONNECTOR ASSY

MATERIAL NO. 912283007

DOCUMENT NO. SD-91228-001

SHEET NO. 5 OF 6

MOLEX INCORPORATED

THIS DRAWING CONTAINS INFORMATION THAT IS PROPRIETARY TO MOLEX INCORPORATED AND SHOULD NOT BE USED WITHOUT WRITTEN PERMISSION

10 9 8 7 6 5 4 3 2 1

F

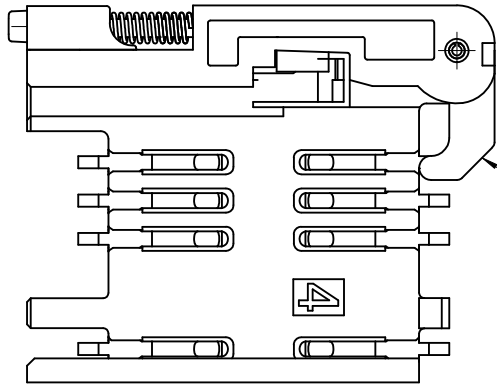
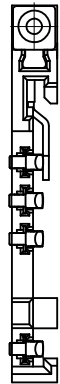
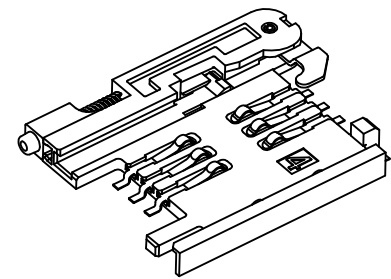
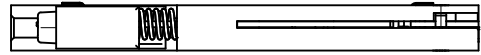
E

D

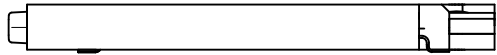
C

B

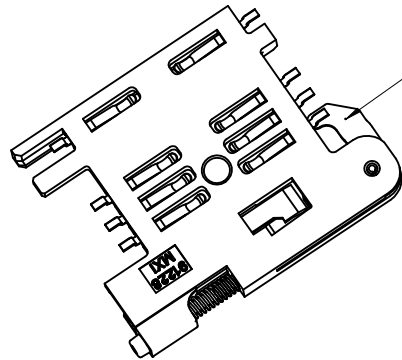
A



NOTE 4



NOTE 6
BLACK COLOUR
THIS FACE



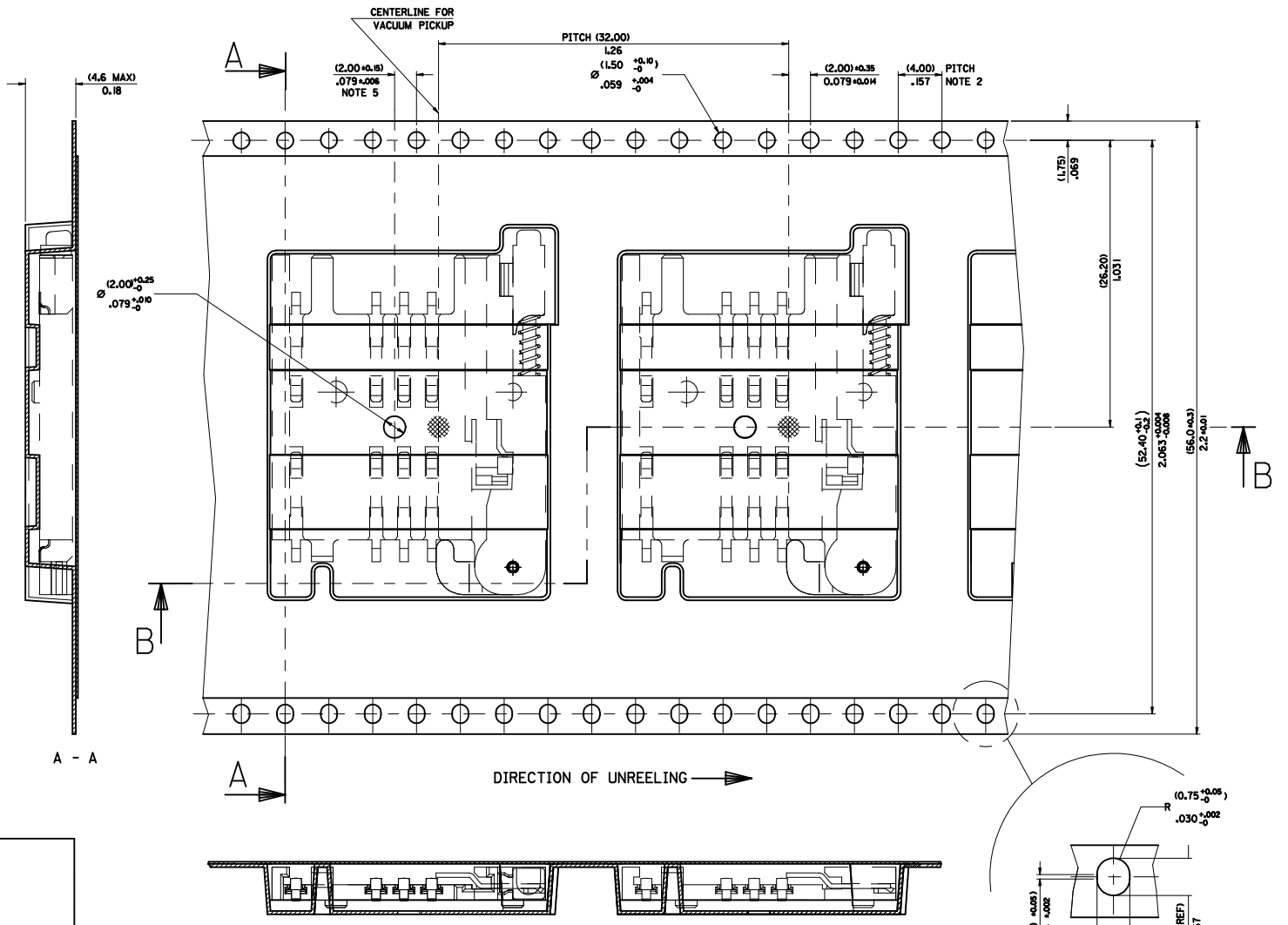
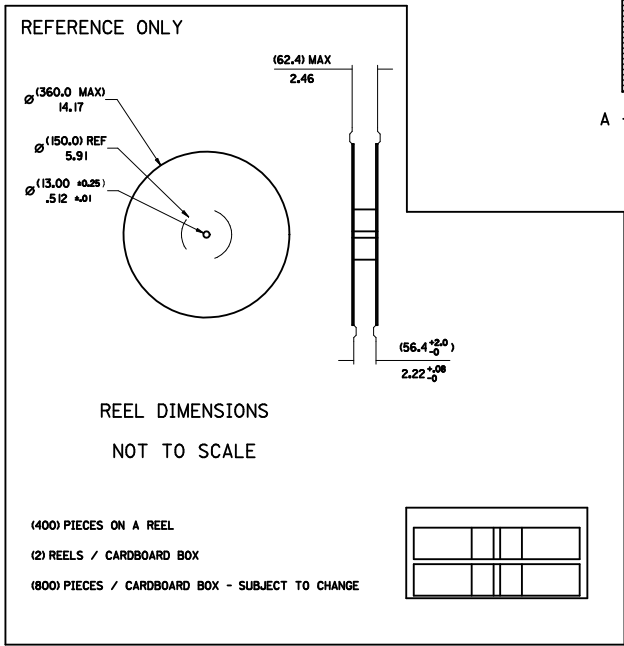
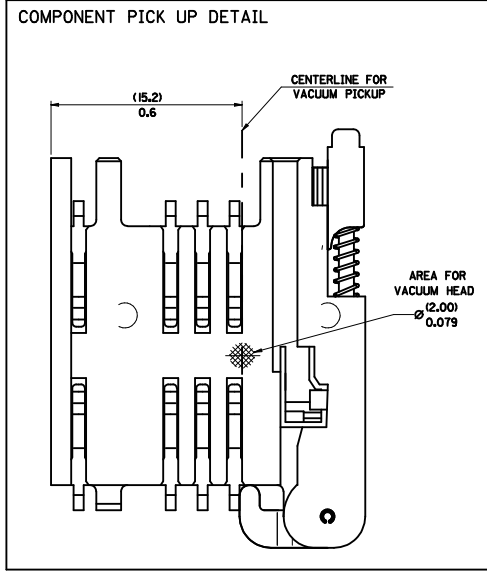
NOTES:

1. SEE PRODUCT SPECIFICATION PS-91228-016
2. PACKAGING: TAPE & REEL, FOR DETAIL SEE SDA-91228-9001, SHEET 1
3. FOR ALL UNSPECIFIED DIMENSIONS AND NOTES SEE SHEET 1.
4. 5mm EJECTOR LEVER
5. CARD HOLDER EJECTION DISTANCE: 5.0±0.3mm
6. LEVER FACE TO BE COLOURED BLACK WITH ALCOHOL BASED INK.

SEE SHEET 1 EC NO: E2012-0058 DRW:DSHEA 2011/08/30 CHKD:SMCGREVV 2011/09/01 APPR:EFOLAN 2011/10/13	DESCRIPTION REV	QUALITY SYMBOLS	GENERAL TOLERANCES (UNLESS SPECIFIED)		DIMENSION STYLE MM ONLY		SCALE 3:1	DESIGN UNITS METRIC	THIRD ANGLE PROJECTION	
		▼=0 ▽=0	mm	INCH	DRAWN BY RFORREY	DATE 2006/11/27	TITLE SIM CONNECTOR ASSY			
		4 PLACES ± --- ± --- 3 PLACES ± --- ± --- 2 PLACES ± 0.05 ± --- 1 PLACE ± 0.1 ± ---	ANGULAR ± 2 °		CHECKED BY FDUGGAN	DATE 2006/11/27	MATERIAL NO. 912283016			
		DRAFT WHERE APPLICABLE MUST REMAIN WITHIN DIMENSIONS			APPROVED BY EFOLAN	DATE 2006/11/27	DOCUMENT NO. SD-91228-001		SHEET NO. 6 OF 6	

9 8 7 6 5 4 3 2 1

PART NO	DESCRIPTION	TYPE OF REEL
91228-0001 & 91228-3001	SIM CONNECTOR WITHOUT PEGS	CARDBOARD
91228-0002 & 91228-3002	SIM CONNECTOR WITH PEGS	CARDBOARD
91228-0012 & 91228-3012	SIM CONNECTOR WITH PEGS	CARDBOARD
91228-0007 & 91228-3007	SIM CONNECTOR WITH PEGS	CARDBOARD
91228-3019	SIM CONNECTOR WITHOUT PEGS	PLASTIC



- NOTES:
- 1) MATERIAL :
CARRIER TAPE : VOLUME CONDUCTIVE POLYSTYRENE, 0.40 REF THICK, BLACK
COVER TAPE : COLD SEAL POLYESTER, 0.08 REF THICK TRANSPARENT
 - 2) PITCH TOLERANCE OVER ANY 10 PITCHES + 0.2 MM
 - 3) PEEL FORCE OF THE COVER TAPE IS 0.1 N TO 1.0 N
AT A MAXIMUM REEL SPEED OF 300 MM/MIN + 10%
 - 4) PACKAGING SPEC, PK-91228-002
 - 5) REFERENCE TO IEC 286-3 EXCEPT WHERE NOTED

ADD REEL OPTION
 ELEC NO: E2012-0058
 DRAWN BY: DRWNSDHEA
 CHKD BY: SMCGRUEY
 APPR'D BY: APPRFEOLAN

QUALITY SYMBOLS	GENERAL TOLERANCES (UNLESS SPECIFIED)	DIMENSION STYLE	SCALE	DESIGN UNITS	THIRD ANGLE PROJECTION
$\nabla=0$	m	MM/IN	1:1	METRIC	
$\nabla=0$	INCH				
	4 PLACES ± --- ± ---	DRAWN BY DATE			
	3 PLACES ± --- ± ---	DMAHER 2006/12/07			
	2 PLACES ± 0.10 ± ---	CHECKED BY DATE			
	1 PLACE ± 0.20 ± ---	FUGGAN 2006/12/07			
	ANGULAR ± 2 °	APPROVED BY DATE			
		EFOLAN 2006/12/07			
	DRAFT WHERE APPLICABLE MUST REMAIN WITHIN DIMENSIONS	MATERIAL NO.			
		SEE CHART			
		THIS DRAWING CONTAINS INFORMATION THAT IS PROPRIETARY TO MOLEX INCORPORATED AND SHOULD NOT BE USED WITHOUT WRITTEN PERMISSION			

MOLEX REEL		SCALE 10:1		TITLE	
				BLISTER PACKAGING	
				SIM CARD PCB HOUSING	
				MOLEX INCORPORATED	
				DOCUMENT NO. SDA-91228-9001	
				SHEET NO. 1 OF 4	