

PLEASE CHECK WWW.MOLEX.COM FOR LATEST PART INFORMATION

Part Number: [1040780610](#)
Status: **Active**
Overview: [IllumiMate™ Connector System](#)
Description: [IllumiMate™ 1.25mm Pitch Wire-to-Board Header, Single Row, 6 Circuits](#)

Documents:

[3D Model](#) [Packaging Specification PK-104078-001 \(PDF\)](#)
[Drawing \(PDF\)](#) [RoHS Certificate of Compliance \(PDF\)](#)
[Product Specification PS-104078-001 \(PDF\)](#)

General

Product Family	PCB Headers
Series	104078
Application	Signal, Wire-to-Board
Overview	IllumiMate™ Connector System
Product Name	IllumiMate™
UPC	884982467965

Physical

Breakaway	No
Circuits (Loaded)	6
Circuits (maximum)	6
Color - Resin	Natural
Durability (mating cycles max)	30
Glow-Wire Compliant	No
Keying to Mating Part	None
Lock to Mating Part	Yes
Material - Metal	Phosphor Bronze
Material - Plating Mating	Nickel, Tin
Material - Plating Termination	Tin
Material - Resin	High Temperature Thermoplastic
Net Weight	0.147/g
Number of Rows	1
Orientation	Right Angle
Packaging Type	Embossed Tape on Reel
Pitch - Mating Interface	1.25mm
Temperature Range - Operating	-25°C to +130°C
Termination Interface: Style	Surface Mount

Electrical

Current - Maximum per Contact	1.0A
Voltage - Maximum	200V

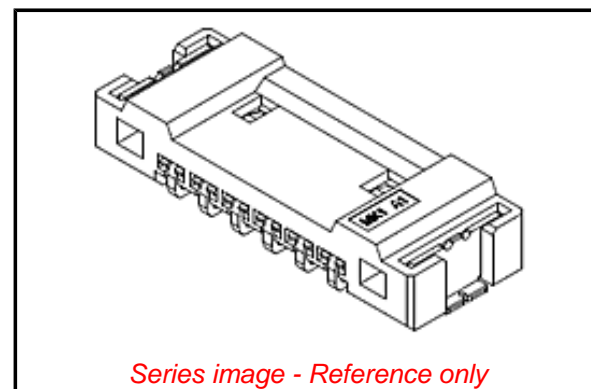
Solder Process Data

Duration at Max. Process Temperature (seconds)	010
Lead-freeProcess Capability	REFLOW
Max. Cycles at Max. Process Temperature	003
Process Temperature max. C	260

Material Info

Reference - Drawing Numbers

Packaging Specification	PK-104078-001
Product Specification	PS-104078-001
Sales Drawing	SD-104078-001, SD-104078-002



Series image - Reference only

EU ELV

Not Relevant

EU RoHS

Compliant

China RoHS

REACH SVHC

Contains SVHC(2014 December 17): No

Halogen-Free

Status

Low-Halogen

Need more information on product environmental compliance?

Email productcompliance@molex.com
Please visit the [Contact Us](#) section for any non-product compliance questions.

China ROHS

ELV

Green Image

Not Relevant

Search Parts in this Series

[104078 Series](#)

Mates With

[104077-0600](#) , [104077-0610](#) IllumiMate™
1.25mm Pitch Wire-to-Board Crimp Housing

This document was generated on 06/30/2015

PLEASE CHECK WWW.MOLEX.COM FOR LATEST PART INFORMATION