

W1G300 Series

Axial

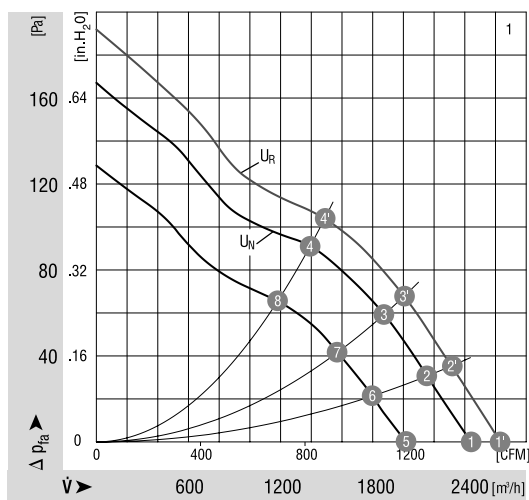
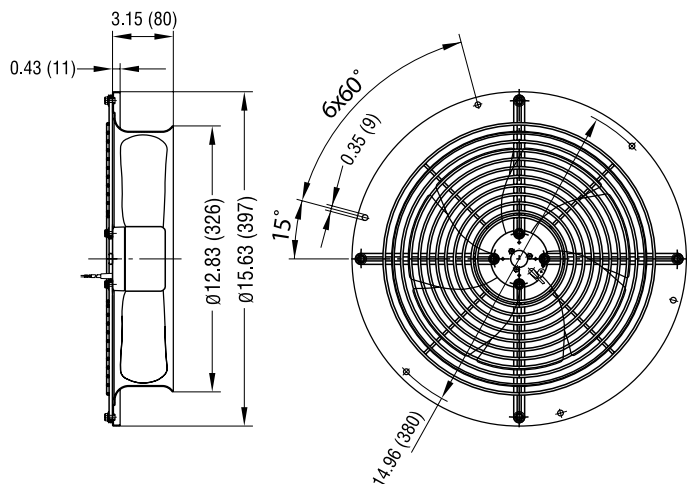
Ø 300mm S-Range



- DC axial fans have least power consumption blowing at free air. As the back pressure increases, the power consumption increases. The combination of impeller and external-rotor motor provides an optimal aerodynamic solution.
- Individual sickle blades made of sheet steel are welded onto the external-rotor motor and dynamically balanced.
- Integrated electronics, reverse polarity and locked-rotor protection.
- Discharge over struts: Dir. of rotation is CCW looking at rotor. Inlet over struts: Dir. of rotation is CW looking at rotor.
- Round venturi mounting plate with 9 mm holes. Ready to install.
- UL, CSA, VDE approvals on some models, please contact application engineering.

Part Number	CFM @ 0	VDC	Volt. Range	Power (kW)	dba	Max. Amb. Temp. C	Bearing Type	Features	Grill Position	Wgt. (lbs)
W1G300-CE19-52	1442	24	16 to 28	90	65	60	Ball	Leads	Inlet	7.00
W1G300-CE19-54	1442	24	16 to 28	90	65	60	Ball	Leads	Dischg	7.00
W1G300-CE33-52	1442	48	36 to 57	90	65	60	Ball	Leads	Inlet	7.00
W1G300-CE33-54	1442	48	36 to 57	90	65	60	Ball	Leads	Dischg	7.00

	n [RPM]	P ₁ [W]	n _{HL} [%]	Lp _A [dBA]		n [RPM]	P ₁ [W]	n _{HL} [%]	Lp _A [dBA]
1 ①	1940	108	---	67	1 ⑤	1480	49	---	61
1 ②	1850	111	71	66	1 ⑥	1440	52	71	62
1 ③	1790	113	71	66	1 ⑦	1400	55	71	61
1 ④	1720	116	60	66	1 ⑧	1350	58	60	59
1 ①	1800	90	---	65					
1 ②	1720	89	71	65					
1 ③	1670	91	71	65					
1 ④	1600	93	60	64					



ebmpapst

e-mail: sales@us.ebmpapst.com · TEL: 860-674-1515 · FAX: 860-674-8536

ebm-papst Inc., 100 Hyde Road, Farmington, CT 06034 USA

ebm-papst Inc., 2006 © ebm-papst Inc. reserves the right to change any specifications or data without notice