

RAFIX 16 F - Emergency stop pushbutton, non-blocking, dupe-proof

1.30.094.001/0300



General information

Actuator	conical mushroom form
Color of mushroom	red, collar yellow
Form of collar	square

Dimensions

Key grid	25 x 25 mm
Overall height	24.10 mm
Mounting depth with contact block	50 mm
Mounting hole	23.1 x 23.1 mm

Mechanical design

Mounting	ring nut
Contact function	latching
Illumination	no
Rest	clockwise or counterclockwise rotation

Mechanical characteristics

Robustness max.	100 N
-----------------	-------

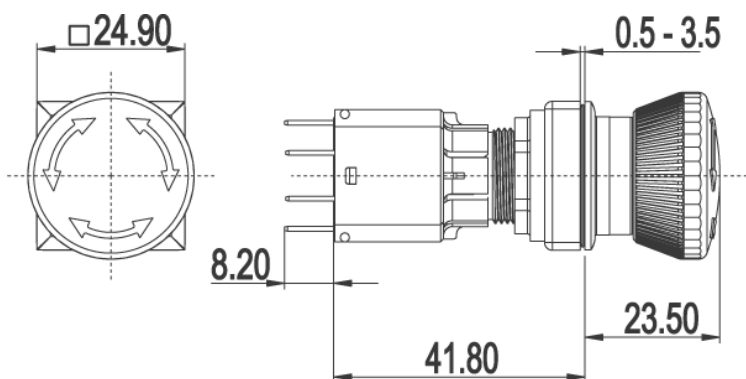
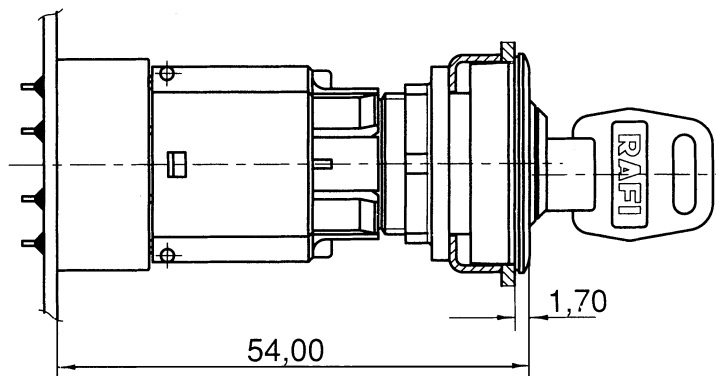
Other specifications

Operating life (operations)	10.000 cycle
Degree of protection from front side	IP65 (DIN EN 60529)
Operation temperature min.	-25 °C
Ambient temp. operating max. without lamp / LED	+70 °C
Ambient temp. operating max. with lamp /LED	- °C
Storage temperature min.	-40 °C
Storage temperature max.	+85 °C
Environmental resistance	acc. to IEC 60068-2-14, -30, -33 and -78
ROHS compliant	yes
REACH compliant	yes

Panel cut-out



with PCB plug-in socket



operating element and contact block

