

SMD 400.0MHz SAW FILTER



5.0 x 5.0 x 1.5mm

AFS400.0N01-SE



RoHS
Compliant

FEATURES:

- Low loss 6dB max
- 5.0 x 5.0 x 1.5mm seam sealed package
- Suitable for RoHS reflow profile

APPLICATIONS:

- Telecommunication

STANDARD SPECIFICATIONS:

MAXIMUM RATINGS

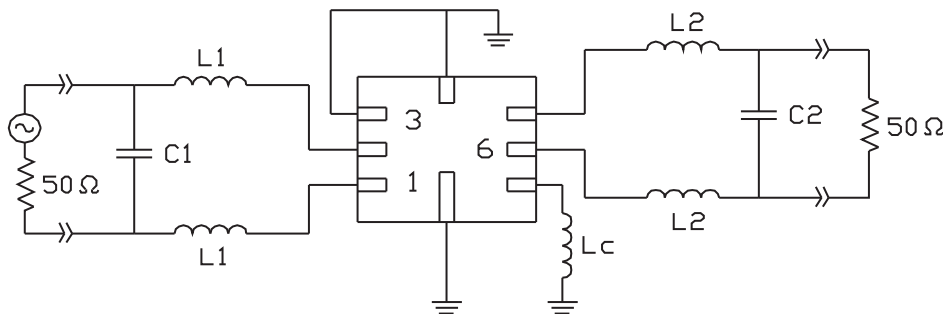
Item	Value
Maxium Input Power	0 dBm
Maxium Permissible DC Voltage	10 V DC max.
Operable temperature	-30°C to +80°C
Storage temperature	-40°C to +85°C

ELECTRICAL CHARACTERISTICS

Item	Units	Minimum	Typical	Maximum
Center Frequency (fo)	MHz	-	400.00	-
Passband Width (BW)	kHz	-	±83	-
Insertion Loss (fo±83KHz)	dB	-	-	6.0
Ripple Deviation	dB	-	-	2.0
Group Delay Ripple	µsec	-	-	1.0
Stop Band Suppression				
50.0 ~ 398.5 MHz	dB	35	-	-
398.5 ~ 399.2 MHz	dB	20	-	-
399.2 ~ 399.4 MHz	dB	10	-	-
399.4 ~ 399.6 MHz	dB	7	-	-
400.4 ~ 400.6 MHz	dB	7	-	-
400.6 ~ 400.8 MHz	dB	10	-	-
400.8 ~ 401.5 MHz	dB	20	-	-
401.5 ~ 500.0 MHz	dB	35	-	-
Terminating impedance	Ω/nH	-	600//90	-

CAUTION: Electrostatic Sensitive Device. Observe precautions for handling!

MEASUREMENT CIRCUIT:



$$C1=C2=4.7\text{pF}; L1=L2=39\text{nH}; Lc=47\text{nH}$$



SMD 400.0MHz SAW FILTER



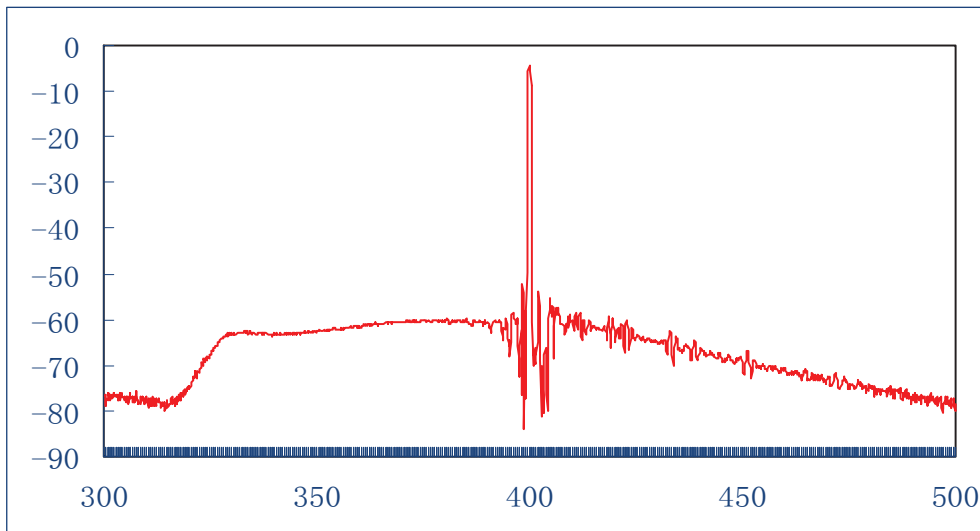
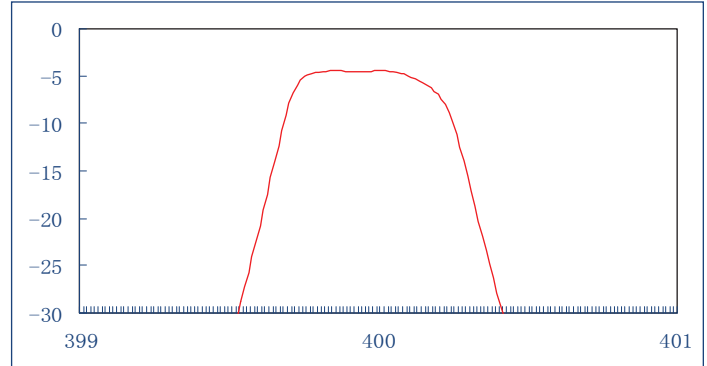
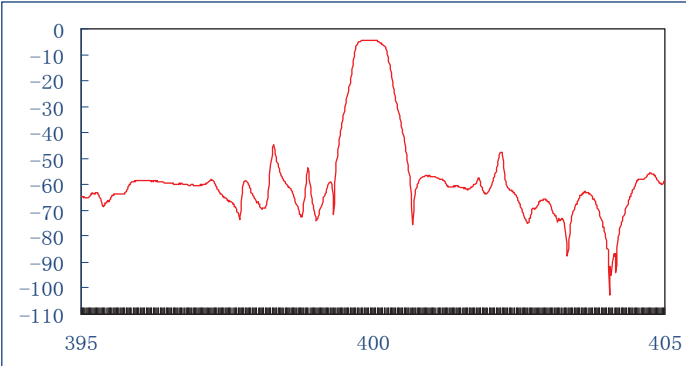
5.0 x 5.0 x 1.5mm

AFS400.0N01-SE

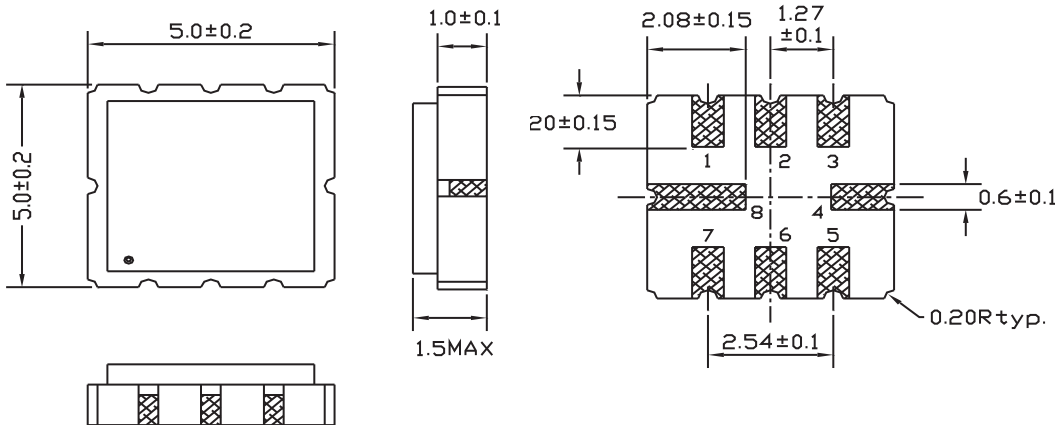


RoHS
Compliant

FREQUENCY CHARACTERISTICS:



OUTLINE DIMENSIONS:



Pin No.	Function
Pin 1	Input or Input Ground
Pin 2	Input or Balanced Input
Pin 3	Ground
Pin 4	Case Ground
Pin 5	Output or Output Ground
Pin 6	Output or Balanced Output
Pin 7	External Coil
Pin 8	Case Ground

Dimension :mm

ABRACON IS
ISO9001:2008
CERTIFIED



ABRACON
CORPORATION

Visit www.abracon.com for Terms & Conditions of Sale **Revised: 10.21.10**
30332 Esperanza, Rancho Santa Margarita, California 92688
tel 949-546-8000 | fax 949-546-8001 | www.abracon.com

SMD 400.0MHz SAW FILTER



5.0 x 5.0 x 1.5mm

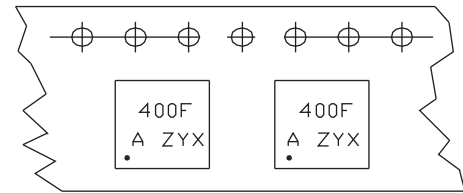
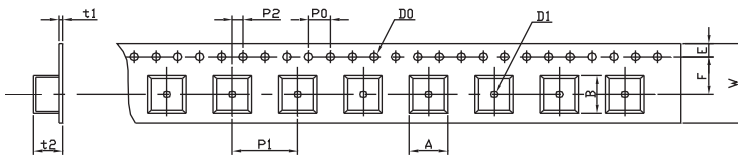
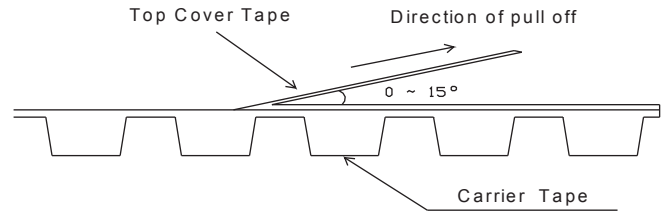
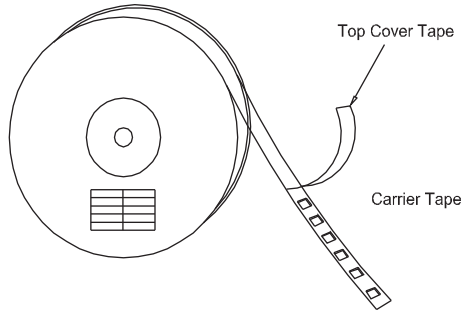
AFS400.0N01-SE



RoHS
Compliant

TAPE & REEL: Tape and reel (3,000pcs/reel)

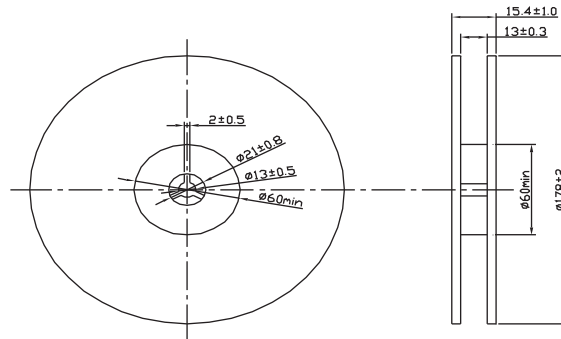
Tape specifications
Tensile strength of carrier tape: 4.4N/mm
Top cover tape adhesion
Pull off angle: 0 ~ 15°
Speed: 300mm/min.
Force: 20 ~ 70g.



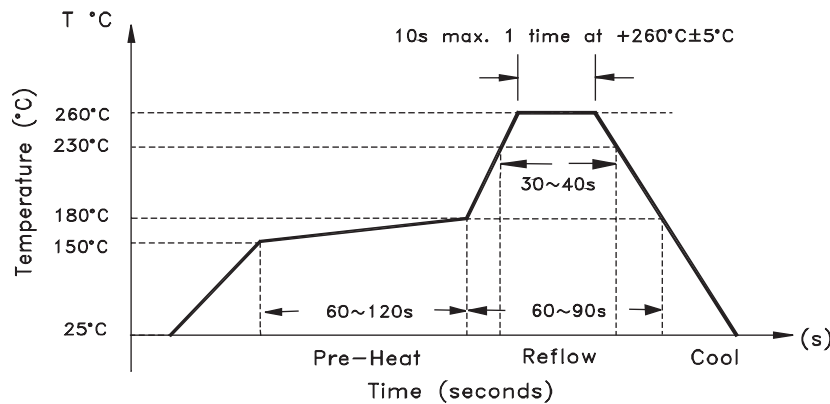
TAPE RUNNING DIRECTION →

TAPE RUNNING DIRECTION →

W	F	E	P0	P1	P2	D0	D1	t1	t2
12	5.5	1.75	4	8	2	Φ1.5	Φ1.5	0.31	1.95
±0.3	±0.1	±0.1	±0.2	±0.1	±0.2	±0.1	±0.25	max.	max.



REFLOW PROFILE:



ATTENTION: Abracon Corporation's products are COTS – Commercial-Off-The-Shelf products; suitable for Commercial, Industrial and, where designated, Automotive Applications. Abracon's products are not specifically designed for Military, Aviation, Aerospace, Life-dependant Medical applications or any application requiring high reliability where component failure could result in loss of life and/or property. For applications requiring high reliability and/or presenting an extreme operating environment, written consent and authorization from Abracon Corporation is required. Please contact Abracon Corporation for more information.

ABRACON IS
ISO9001:2008
CERTIFIED



ABRACON
CORPORATION

Visit www.abracon.com for Terms & Conditions of Sale **Revised: 10.21.10**
30332 Esperanza, Rancho Santa Margarita, California 92688
tel 949-546-8000 | fax 949-546-8001 | www.abracon.com