

DC axial fans

Automotive series W3G300, Ø 300mm



Highlights:

- Control input: 0-10 VDC/PWM
- Load dump (58V)
- Over-voltage detection
- Soft start, motor current limit, line undervoltage detection
- Over 95C with power derating
- Reverse polarity and locked rotor protection

Material: Impeller: PA plastic
Electronic housing: PA plastic

Mounting position: Any

Condensate discharge holes: None, open rotor

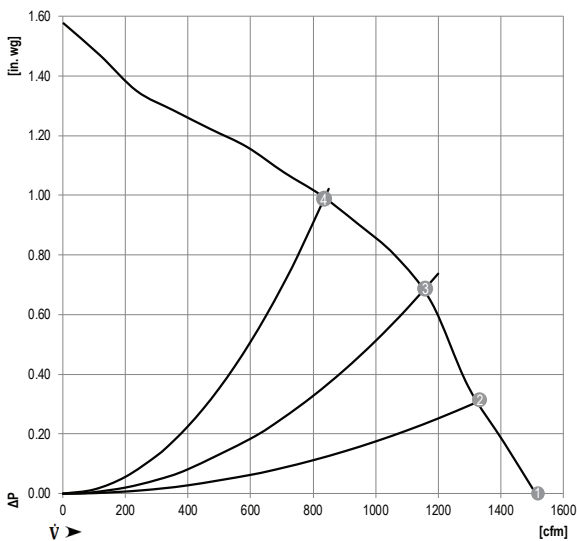
Direction of rotation: Clockwise, seen on rotor

Nominal Data

Type	Motor	Air flow CFM	Voltage VDC	Voltage range VDC	Power input (1) Watts	Speed (1) RPM	Current draw (1) A	Temperature range (1) °C	Mass lbs	Sealed ball bearings	Direction of air flow (intake) rotor	Ingress protection rating (motor) IP 24 KM	Ingress protection rating (electronics) IP 6K 9K
W3G300-BV24-01	M3G084-BF	1512	26	16...32	205	3160	7.9	-40...95/110C	4.4	Yes	V	IP 24 KM	IP 6K 9K

(1) Nominal data at free air.

Curves



Measurement: LU-141130

Air performance measured as per:
ISO 5801, Installation category
A, without protection against
accidental contact.

Suction-side noise levels: L_{wA} as
per ISO 13347, L_pA measured at
1m distance to fan axis.

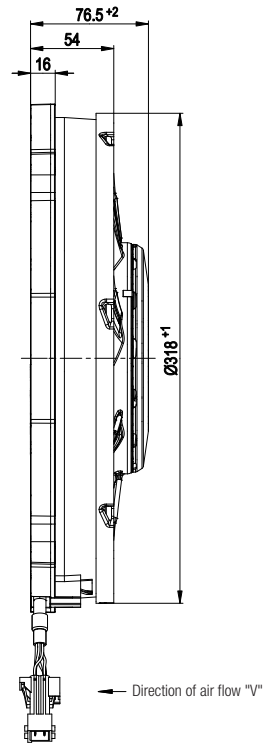
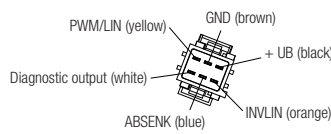
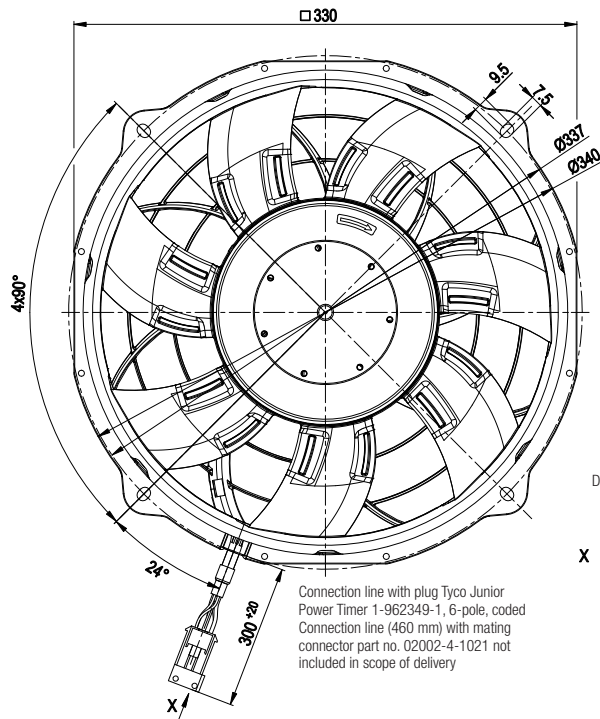
The values given are valid
under the measuring conditions
mentioned and may vary according
to the actual installation situation.

With any deviation to the standard
set-up, the specific values have
to be checked and reviewed once
installed or fitted.

For detailed information on the
measuring set-up, please contact
ebm-papst.

n	Pe	I	L_pA_{in}	L_wA_{in}
rpm	W	A	dB(A)	dB(A)

①	3160	205	7.9	74	82
②	3155	216	8.3	73	82
③	3085	240	9.2	73	81
④	2965	244	9.4	73	80



Connection screen

