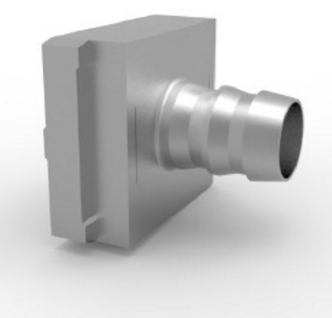
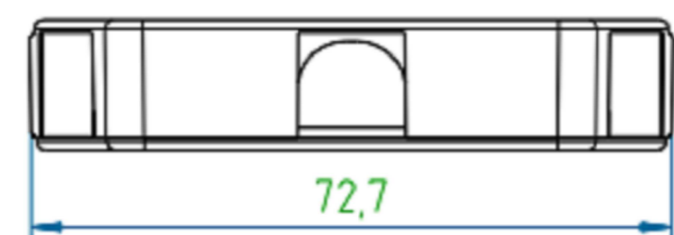
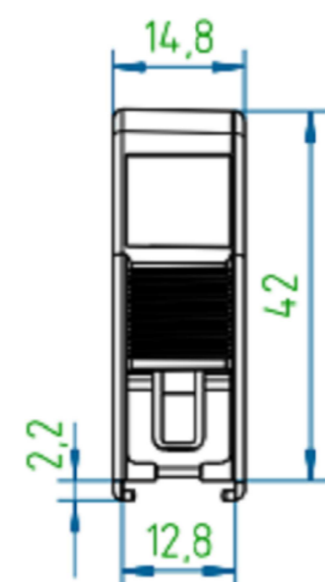
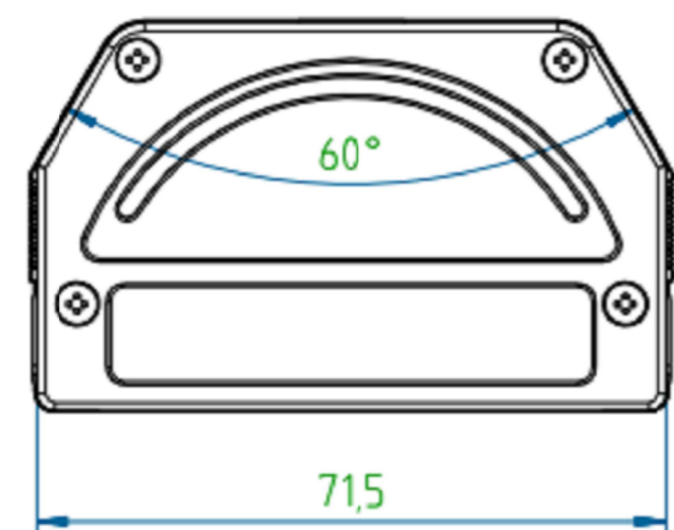
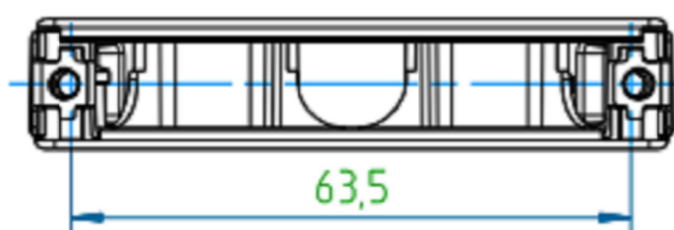
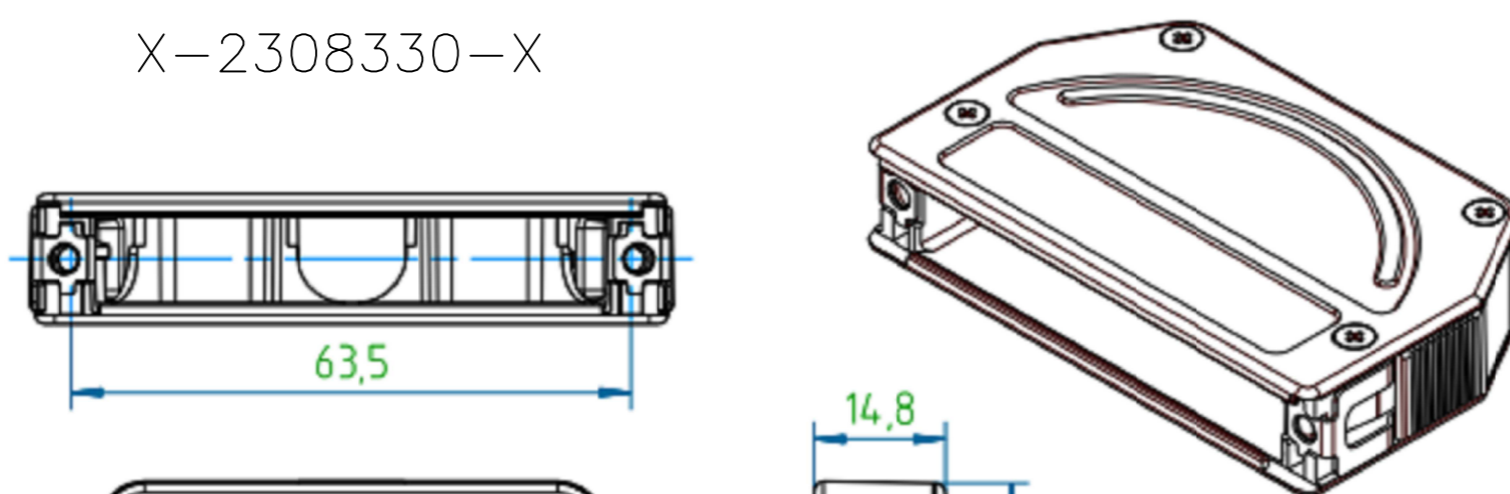


THIS DRAWING IS UNPUBLISHED.		RELEASED FOR PUBLICATION	
© COPYRIGHT - By -		ALL RIGHTS RESERVED.	
PROJECT	PRJ-16-000909157		
PART NO.	X-2308330-X		
DESCRIPTION	FULL METAL HOODS SIZE 4		
CUSTOMER	GENERAL MARKET		

REVISIONS					
P	LTR	DESCRIPTION	DATE	DWN	APVD
	A2	REVISED PER ECR-16-014891	20OCT2016	KK	GG

X-2308330-X



CRIMP FLANGE

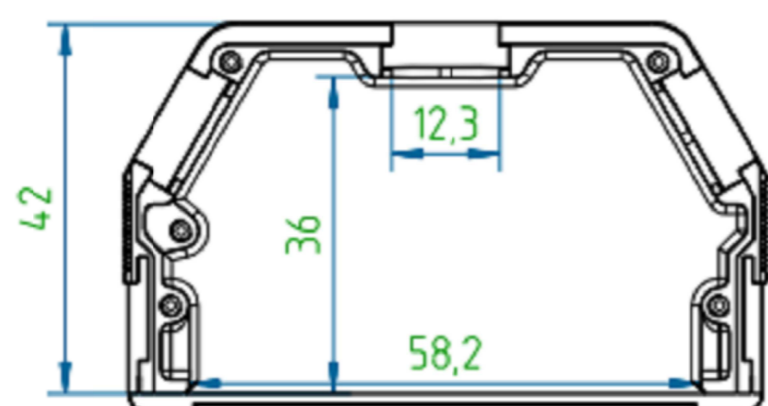


CRIMP BARREL

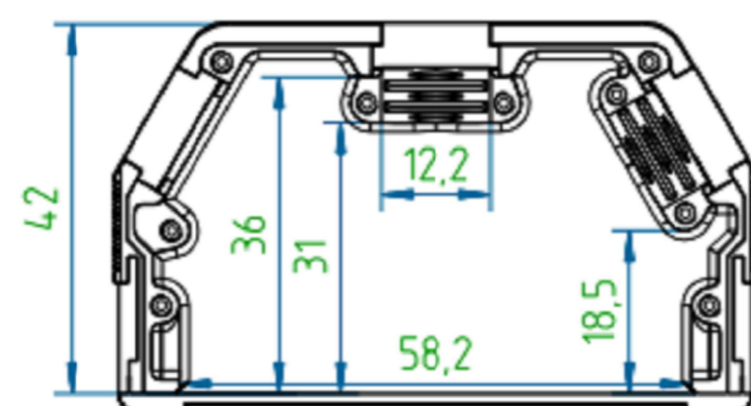


CABLE CLAMP

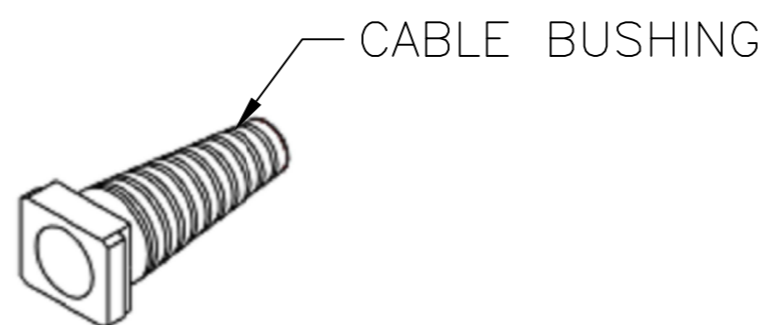
HOUSING 1



HOUSING 2



BLIND PLATE



CABLE BUSHING

NOTES:

- TEMPERATURE: -40°C TO +90°C.
- STRAND DIAMETER OF CRIMP FLANGE: 2.7-8.7 mm.
- CABLE DIAMETER WITH EXTERNAL CABLE CLAMP: 4-14 mm.
- CABLE DIAMETER WITH INTERNAL CABLE CLAMP: d=4-11mm (FOR d=4-7 mm TURN CABLE CLAMP).
- CABLE BUSHING FOR CABLE DIAMETER 4-9 mm.

* CRIMP FLANGE PN *-2308349-* TO BE ORDERED SEPARATELY.

* CRIMP BARREL TO BE USED IN COMBINATION WITH THE FLANGE PN *-2308350-* TO BE ORDERED SEPARATELY.

* CABLE CLAMP SCREW VERSION PN *-2308272-* TO BE ORDERED SEPARATELY.

ASSY. PART NO.	DESCRIPTION	SUB-PART DESCRIPTION POS.1	POS. 3	POS. 5	POS. 6	POS. 7	WEIGHT, g
1-2308330-5	FULL METAL HOOD4 5	HOUSING 2	1	2	2	3	92
1-2308330-4	FULL METAL HOOD4 4	HOUSING 2	2	1	1	2	94
1-2308330-3	FULL METAL HOOD4 3	HOUSING 2	1	2	-	3	90
1-2308330-2	FULL METAL HOOD4 2	HOUSING 2	2	1	-	2	92
1-2308330-1	FULL METAL HOOD4 1	HOUSING 1	2	-	-	-	87

9	1	-	SCREW M2.5x5 (CASE HARDENING STEEL, ZINC-PLATED)
8	4	-	SCREW M2.5x6.5 (CASE HARDENING STEEL, ZINC-PLATED)
7	SEE TAB. POS.7	-	SCREW M2.5x6 (CASE HARDENING STEEL, ZINC-PLATED)
6	SEE TAB. POS.6	-	CABLE BUSHING (EPTR SANTOPRENE)
5	SEE TAB. POS.5	-	CABLE CLAMP (BAND STEEL, ZINC-PLATED)
4	2	-	CATCH SPRING (STAINLESS STEEL, RAW)
3	SEE TAB. POS.3	-	BLIND PLATE (ZINC ALLOY, RAW)
2	1	-	COVER (ZINC ALLOY, RAW)
1	1	SEE TAB. POS.1	HOUSING (ZINC ALLOY, RAW)
SL NO.	QTY	ASSY. PART NO.	DESCRIPTION (MATERIAL, FINISH)

THIS DRAWING IS A CONTROLLED DOCUMENT.		DWN KIRAN K 02AUG2016	TE Connectivity FULL METAL HOODS SIZE 4	
DIMENSIONS: mm		CHK GUNASEKHAR G 02AUG2016		
TOLERANCES UNLESS OTHERWISE SPECIFIED: DIN ISO 2768 m		APVD GUNASEKHAR G 02AUG2016	NAME	RESTRICTED TO
0 PLC ± -		PRODUCT SPEC	SIZE	CAGE CODE
1 PLC ± -		APPLICATION SPEC	DRAWING NO	SCALE
2 PLC ± -			WEIGHT	SHEET
3 PLC ± -			A2 00779	1 of 1
4 PLC ± -			©=2308330	REV
ANGLES ± -			CUSTOMER DRAWING	A2
FINISH			SCALE NTS	