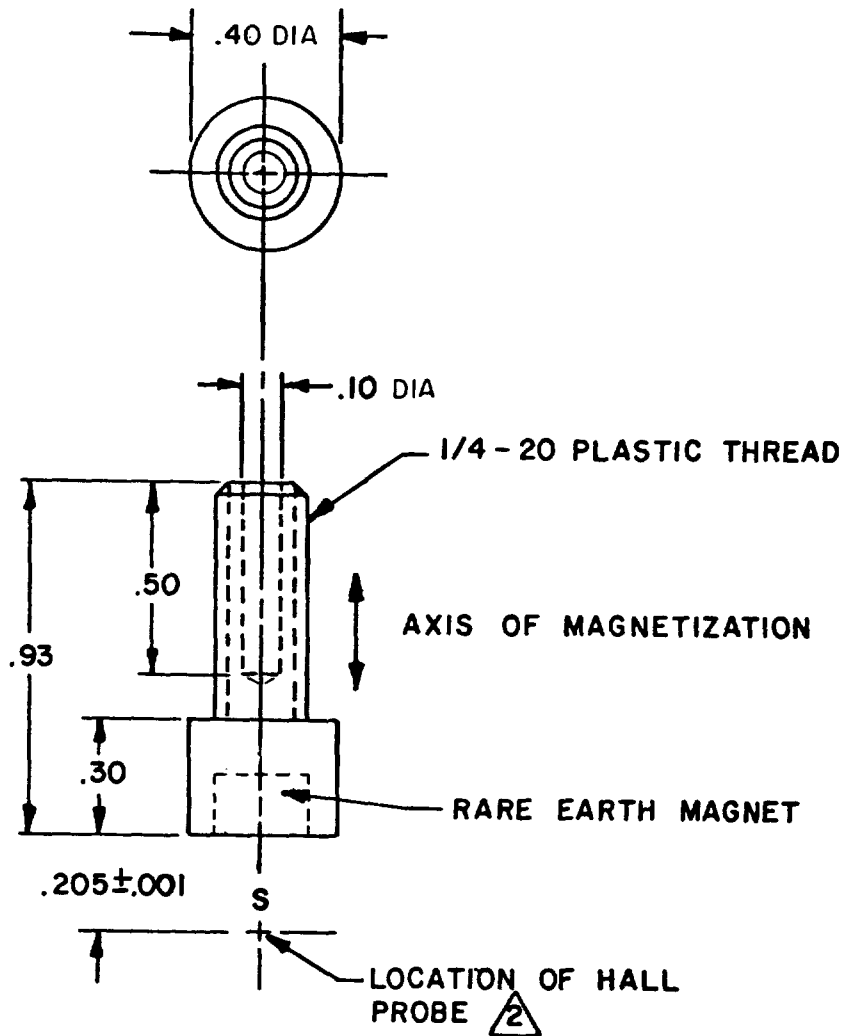


CATALOG LISTING
106MG10-BP
PAGE 1 OF 1
REPLACES
PR-7502
ISSUE
M
4

REVISIONS	CHECK
A	CO-81006 G J W 29 MAY 96

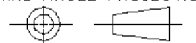


NOTES

- 1 THE MAGNET IS RARE EARTH COBALT MAGNETIZED AND CONDITIONED FOR OPERATION
- 2 READING IN GAUSS WITH F.W. BELL 620 GAUSSMETER AND PROBE STJ4-0402 AT .205 ± .001 INCHES FROM SOUTH POLE AT TEMPERATURE OF 24° ± 2°C SHALL BE 310 GAUSS MINIMUM
- 3 FURNISHED BULK PACKED

THIS DRAWING COVERS A PROPRIETARY ITEM AND IS THE PROPERTY OF MICRO SWITCH, A DIVISION OF HONEYWELL. THIS DRAWING IS NOT TO BE COPIED OR USED WITHOUT THE APPROVAL OF MICRO SWITCH.

THIRD ANGLE PROJECTION



CHARACTERISTICS	ELECTRICAL DATA CONTACT ARRANGEMENT	SCALE 2:1	DO NOT SCALE PRINT
		UNLESS OTHERWISE SPECIFIED TOLERANCES ARE	
		ONE PLACE (.0)	± .030
		TWO PLACE (.00)	± .015
		THREE PLACE (.000)	± .005
		ANGLES	±
		WEIGHT	

FORMTEK
DRAWN
GJW
29 MAY 96
CHECK