



Certifications & Ratings

- RoHS compliant
- IP66/IP67
- IK10
- NEMA 4X

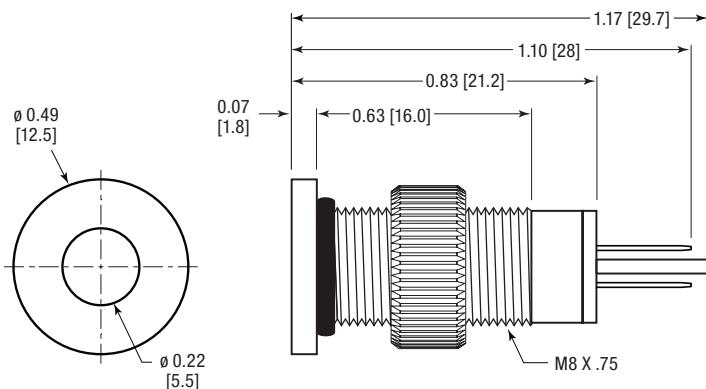
Application

The 620 Series Heavy Duty LED Panel Mount Indicators are elegantly designed for a high-end aesthetic paired with sturdy construction. These indicators are non-magnetic, corrosion resistant for both indoor and outdoor use, and secured to prevent dirt, dust, and water penetration. Ideal for a variety of applications such as:

- Main power indication
 - Remote power indication
 - Status indication
 - Maintenance and warning indication
 - Instrumentation
- ... and many more!

Dimensions

inches [mm]



Mechanical Information

Mounting Hole Size:	0.323" (8.2 mm)
Max Panel Thickness:	0.394" (10 mm)
Mounting Torque:	7.01 lbs-ft (9.5 Nm)

Specifications

Operating Voltage:	3 VDC (external resistor required) 6, 12 & 24 VDC (internal resistor included)
Operating Temp:	-25 °C to +70 °C (-13 °F to 158 °F)
Storage Temp:	-25 °C to +70 °C (-13 °F to 158 °F)
Electrical Connection:	Solder terminals
Housing:	Stainless Steel
Terminals:	Stainless Steel
Nut:	Stainless Steel

Ordering Information 620 Series

Part Number Guide

RoHS Compliant

6	2	0	-	1	X	X	X	-	3	0	4	F
											Voltage	
											1	3VDC
											2	6VDC
											3	12VDC
											4	24VDC
				Color								
● Red	1	0										
● Green	2	0										
● Yellow	3	0										
● Blue	4	0										

Dialight P/N	Color	Voltage (VDC)	Current (mA)	Typical Intensity (mcd)
620-1101-304F	● Red	3	15	200
620-1201-304F	● Green			250
620-1301-304F	● Yellow			350
620-1401-304F	● Blue			300
620-1102-304F	● Red	6		200
620-1202-304F	● Green			250
620-1302-304F	● Yellow			350
620-1402-304F	● Blue			300
620-1103-304F	● Red	12		200
620-1203-304F	● Green			250
620-1303-304F	● Yellow			350
620-1403-304F	● Blue			300
620-1104-304F	● Red	24		200
620-1204-304F	● Green			250
620-1304-304F	● Yellow			350
620-1404-304F	● Blue			300

Dialight reserves the right to make changes at any time in order to supply the best product possible. The most current version of this document will always be available at: www.dialightsignalsandcomponents.com

Warranty Statement: Except for the warranty expressly provided for [herein/above/below], Dialight disclaims any and all other warranties, express or implied, including, without limitation, any warranties of merchantability, fitness for a particular purpose, title, and noninfringement.