

10 9 8 7 6 5 4 3 2 1

F

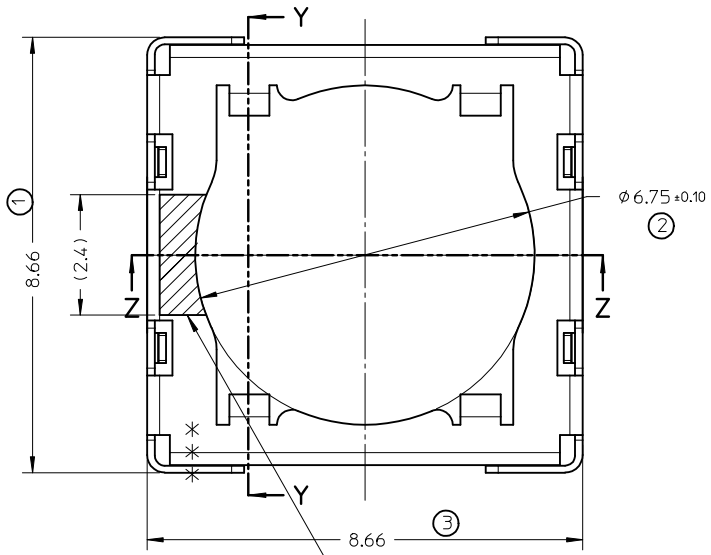
E

D

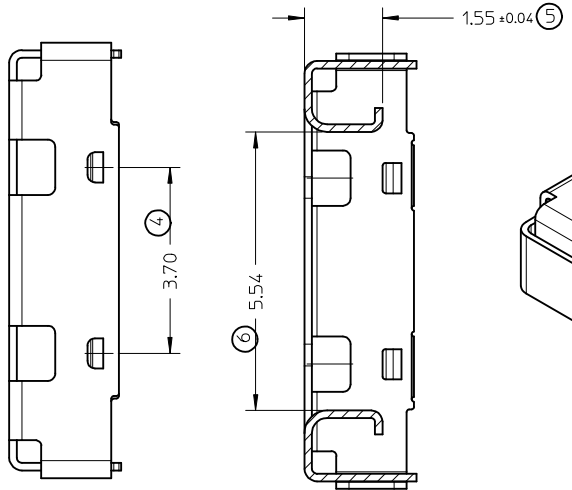
C

B

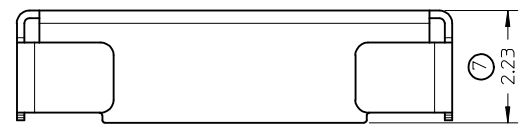
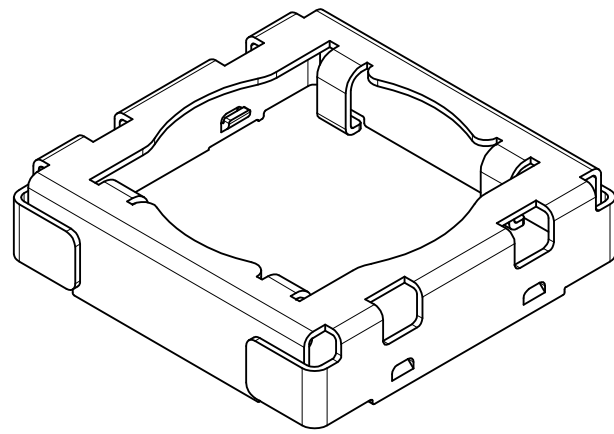
A



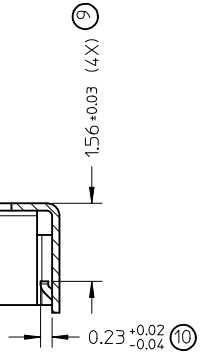
INK JET MARK AREA FOR ORIENTATION



SECTION Y-Y



SECTION Z-Z



- NOTE:
 1.MATERIA: STAINLESS STEEL,THICKNESS:0.15MM.
 2.FINISHED:OIL AND DIRT SHOULD BE CLEANED.
 3.BURR FREE ATE THE BLANKING EDGE.
 4.PACKAGE: TAPE AND REEL.

RELEASE EC NO: SH2013-0176 DRWN:WJHUO 2012/12/10 CHKD: APPR:AYIN 2013/01/08	DESCRIPTION REV	QUALITY SYMBOLS		GENERAL TOLERANCES (UNLESS SPECIFIED)		DIMENSION STYLE MM ONLY		SCALE 10:1	DESIGN UNITS METRIC	THIRD ANGLE PROJECTION	
				mm	INCH	DRAWN BY WJHUO	DATE 2012/12/10	TITLE SD DRAWING FOR TOP COVER 6.5X6.5 CAMERA SOCKET			
		4 PLACES	± ---	± ---		CHECKED BY	DATE	APPROVED BY AYIN 2013/01/08			
		3 PLACES	± ---	± ---							
2 PLACES	± 0.15	± ---				MATERIAL NO. 1051632005		DOCUMENT NO. SD-105163-205	SHEET NO. 1 OF 1		
1 PLACE	± 0.20	± ---		DRAFT WHERE APPLICABLE MUST REMAIN WITHIN DIMENSIONS		THIS DRAWING CONTAINS INFORMATION THAT IS PROPRIETARY TO MOLEX INCORPORATED AND SHOULD NOT BE USED WITHOUT WRITTEN PERMISSION					
0 PLACE	± ---	± ---		ANGULAR ± 3 °							

9 8 7 6 5 4 3 2 1