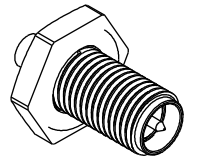


THIS DOCUMENT IS SUBJECT TO CHANGE WITHOUT NOTICE. IT IS CONFIDENTIAL AND A PROPERTY OF Amphenol LTW. DISCLOSURE TO THIRD PARTY HAS TO BE AUTHORIZED BY Amphenol LTW.

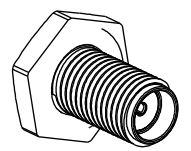
REV.	ECN NO.	DATE	SIGN	DESCRIPTION
A	Initial Release	2016/04/27	Kaven	Change Rev.01 To Rev.A

**ALTW**  
CONFIDENTIAL  
2016-04-27  
R&D DEPT.

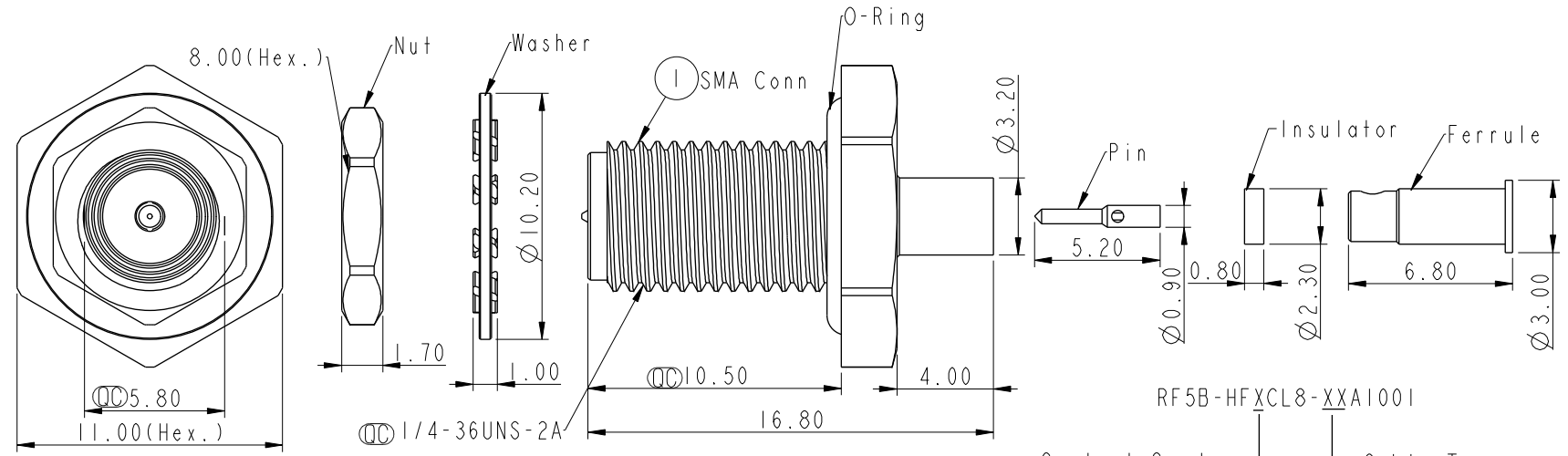
**ALTW**  
DCC. DEPT.  
CONFIDENTIAL  
2016.05.16  
ISSUED



(M): Male Pin



(F): Female Pin



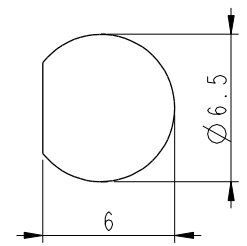
RF5B-HFXCL8-XXA1001

Contact Gender	Cable Type
(M): Male Pin	(29): RG178
(F): Female Pin	(53): 1.13mm
	(54): 1.32mm
	(55): 1.37mm

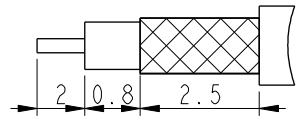
Note:

- \*  $\varnothing$  Important Dimension To Check.
- \* Electrical:
  - Impedance: 50 $\Omega$
  - Frequency: 6GHz
  - V.S.W.R
  - 0-3Ghz: 1.3(Max), 4-6Ghz: 1.5(Max)
- \* Mechanical & Environmental:
  - Mating: 1/4"-36UNS
  - Temperature: -40 $^{\circ}$ c~105 $^{\circ}$ c
  - (It's Subject To ALTW Testing Condition.)
  - Unmated Waterproof Rating: IPx8
  - (Under Water 1M 24hours)
  - Salt Spary Corrosion Test: 48h
- \* Panel Thickness Max: 2.3mm.

- \* Material:
  - Shell: Brass, Gold Plated
  - Connector Body: Brass, Gold Plated
  - Center Contact: Brass, Gold Plated
  - Insulator: PTFE
  - Crimp Ferrule: Brass, Gold Plated
  - O'ring: Silicone, Red
- \* Cable Assembly:
  - Contact Pin: Solder or Crimp
  - Crimped Pin Size SQ.028"
  - Ferrule: Solder or Crimp
  - Crimped Size HEX.068"



Recommended Panel Cut-Out



Recommend Cable Stripping DIM'S

UNIT: mm			TITLE SMA STRAIGHT BULKHEAD JACK CONN														
TOLERANCE	.X $\pm 0.25$	.XX $\pm 0.1$	.XXX $\pm 0.05$	ANGLES $\pm 1^{\circ}$	SCALE 7:2												
REV. A	WC-REV. A.1	SHEET 1 OF 1	SMA STRAIGHT BULKHEAD JACK CONN														
<table border="1"> <tr> <td>SCALE</td> <td>7:2</td> <td>SIZE</td> <td>A4</td> <td>SHEET</td> <td>1</td> <td>OF</td> <td>1</td> </tr> </table>		SCALE	7:2	SIZE	A4	SHEET	1	OF	1	<table border="1"> <tr> <td>REV.</td> <td>A</td> <td>WC-REV.</td> <td>A.1</td> <td><math>\varnothing</math>: Inspection item</td> </tr> </table>			REV.	A	WC-REV.	A.1	$\varnothing$ : Inspection item
SCALE	7:2	SIZE	A4	SHEET	1	OF	1										
REV.	A	WC-REV.	A.1	$\varnothing$ : Inspection item													

**Amphenol LTW**  
安費諾亮泰企業股份有限公司

ITEM NO	DRAWN BY	DATE
	Kaven	2016/04/27
DWG NO	CHECKED BY	DATE
RF5B-HFXCL8-XXA1001	Doreen	2016/04/27
CUSTOMER	APPROVED BY	DATE
ALTW	Lisa	2016/04/27