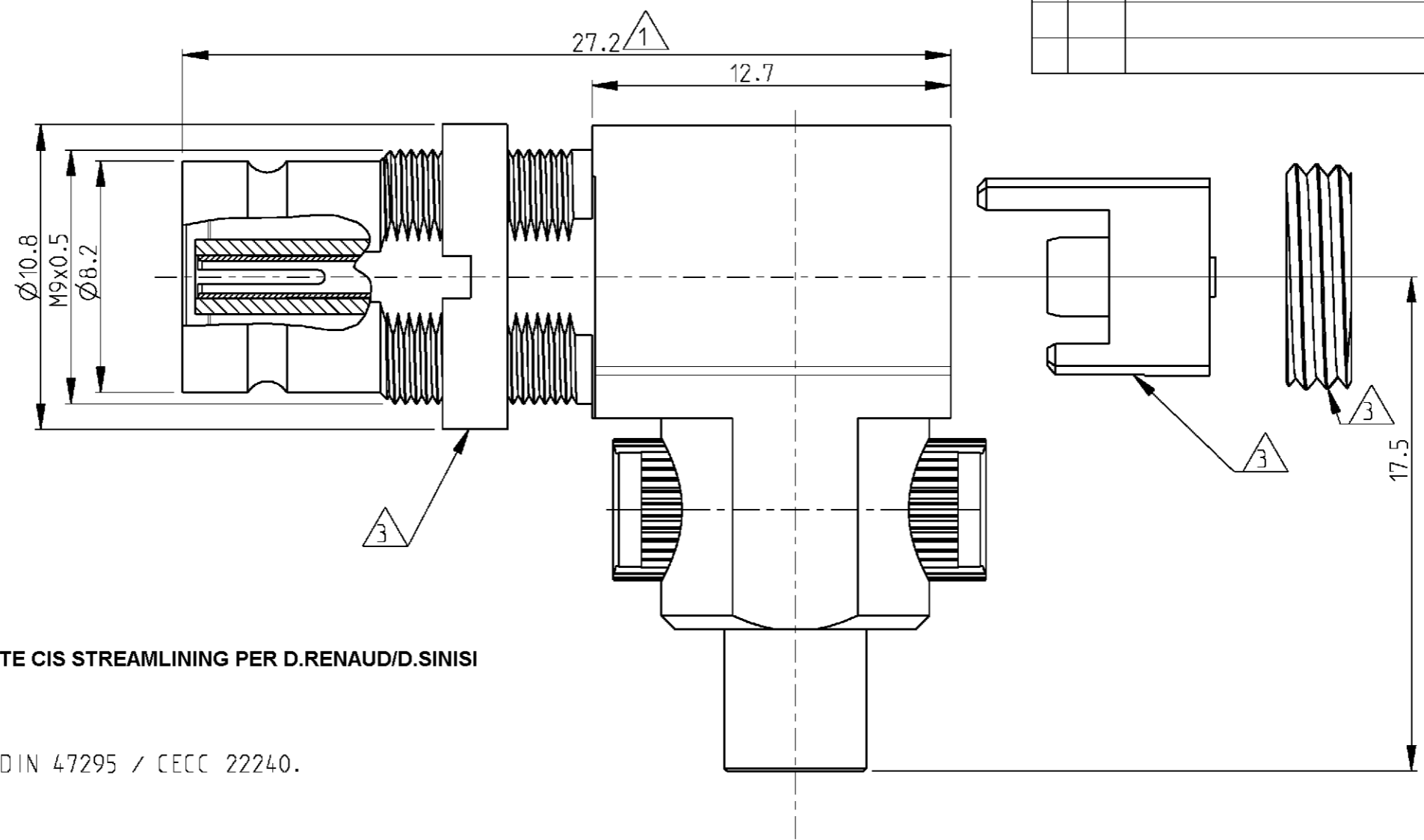
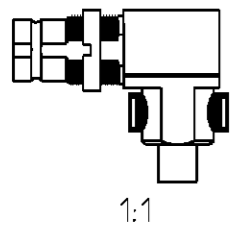
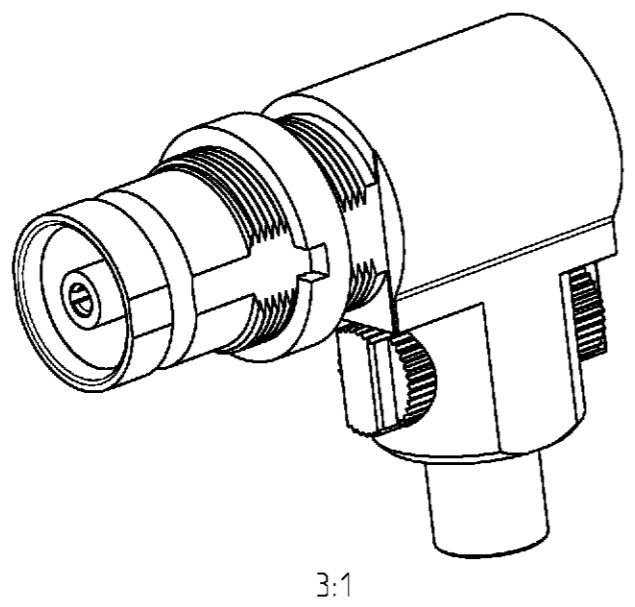


THIS DRAWING IS UNPUBLISHED. RELEASED FOR PUBLICATION 2000
 © COPYRIGHT 2000 BY TYCO ELECTRONICS CORPORATION. ALL RIGHTS RESERVED.

LOC	DIST	REVISIONS				
P	LTR	DESCRIPTION	DATE	DWN	APVD	
GW	-	A	-	05APR2001	BL	KM
		A1	REVISED PER ECO-09-026495	30NOV09	KK	AEG



- 6 OBSOLETE PARTS: OBSOLETE CIS STREAMLINING PER D.RENAUD/D.SINISI
- 5 Packed in tray
- 4) Mating face according to DIN 47295 / CECC 22240.
- 3 Supplied as loose part
- 2) All dimensions are maximum
- 1 Dimension when fully constrained.


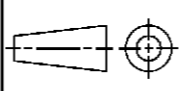


<small>THIS DRAWING IS A CONTROLLED DOCUMENT FOR TYCO ELECTRONICS CORPORATION IT IS SUBJECT TO CHANGE AND THE CONTROLLING ENGINEERING ORGANIZATION SHOULD BE CONTACTED FOR THE LATEST REVISION.</small>		DWN B. Lenvain 29MAR2001 CHK K. Mattheeuws 05APR2001 APVD R. Leeman 05APR2001		tyco Tyco Electronics Electronics Oostkamp - Belgium	
DIMENSIONS: mm 		TOLERANCES UNLESS OTHERWISE SPECIFIED: 0 PLC ± 1 PLC ±± 2 PLC ±±± 3 PLC ±±±± 4 PLC ANGLES ±		NAME Right angled cable jack 1.6/5.6 with IDC connection	
MATERIAL -		FINISH -		PRODUCT SPEC - APPLICATION SPEC 114-71027 WEIGHT -	
		CUSTOMER DRAWING		SIZE A3 CAGE CODE 00779 DRAWING NO. 1-1393757-6 RESTRICTED TO -	
				SCALE 5/1 SHEET 1 OF 2 REV A1	

THIS DRAWING IS UNPUBLISHED. RELEASED FOR PUBLICATION 2000
 © COPYRIGHT 2000 BY TYCO ELECTRONICS CORPORATION. ALL RIGHTS RESERVED.

LOC	DIST	REVISIONS			
P	LTR	DESCRIPTION	DATE	DWN	APVD
	-	SEE SHEET 1	-	-	-

Cross reference table								
Old part number	Tyco part number	Description	Material	Plating	Cable type			
<div style="border: 1px solid black; padding: 5px; text-align: center;"> △ 6 OBSOLETE </div>	<div style="border: 1px solid black; padding: 5px; text-align: center;"> △ 5 </div>	<div style="border: 1px solid black; padding: 5px; text-align: center;"> △ 5 </div>	V23612-A811-G76A	1-1393757-7	Outer conductor	Brass	1 μm Au min in contact area	02Y (sT) CY 0.45/2.0
			Center conductor	CuBe	1 μm Au min in contact area			
			Dielectric	PEEK/PC	-			
			V23612-A811-G76	1-1393757-6	Outer conductor	Brass	1 μm Au min in contact area	02Y (sT) CY 0.45/2.0
			Center conductor	CuBe	1 μm Au min in contact area			
			Dielectric	PEEK/PC	-			
	<div style="border: 1px solid black; padding: 5px; text-align: center;"> △ 5 </div>	<div style="border: 1px solid black; padding: 5px; text-align: center;"> △ 5 </div>	V23612-A811-A24A	1-1393757-5	Outer conductor	Brass	1 μm Au min in contact area	R1-T 2.0 LI-75 k TZC 75025-315/1.95 FH/HF
			Center conductor	CuBe	1 μm Au min in contact area			
			Dielectric	PEEK/PC	-			
<div style="border: 1px solid black; padding: 5px; text-align: center;"> △ 6 OBSOLETE </div>			V23612-A811-A24	1-1393757-4	Outer conductor	Brass	1 μm Au min in contact area	R1-T 2.0 LI-75 k TZC 75025-315/1.95 FH/HF
			Center conductor	CuBe	1 μm Au min in contact area			
			Dielectric	PEEK/PC	-			

<small>THIS DRAWING IS A CONTROLLED DOCUMENT FOR TYCO ELECTRONICS CORPORATION IT IS SUBJECT TO CHANGE AND THE CONTROLLING ENGINEERING ORGANIZATION SHOULD BE CONTACTED FOR THE LATEST REVISION.</small>		DWN	29MAR2001		 Tyco Electronics Oostkamp - Belgium		
DIMENSIONS: mm		CHK	09APR2001				
		TOLERANCES UNLESS OTHERWISE SPECIFIED: 0 PLC ± 1 PLC ± 2 PLC ± 3 PLC ± 4 PLC ± ANGLES ±		APVD	09APR2001		
MATERIAL -		FINISH -		NAME Right angled cable jack 1.6/5.6 with IDC connection			
		PRODUCT SPEC - APPLICATION SPEC - WEIGHT -		SIZE	CAGE CODE	DRAWING NO	RESTRICTED TO
		CUSTOMER DRAWING		A3	00779	©-1393757-16	-
		SCALE		5/1	SHEET	2 OF 2	REV
						A1	