

REV	DOCUMENT	CHANGED BY	CHECK
1	DR-5299-5	SAV 20DEC99	JAF
2	PR-24403	SAV 11FEB00	SAV

OPERATING SPECIFICATION $\triangle 2$ $\triangle 5$

	LIMIT	
OPERATE $\triangle 3$	$1.5^\circ \pm 2.0^\circ$	TARGET ENGAGEMENT .150 TO .300 RPM 0 TO 5000
RELEASE $\triangle 4$	$3.0^\circ \pm 2.5^\circ$	SLOT DEPTH .250 MIN

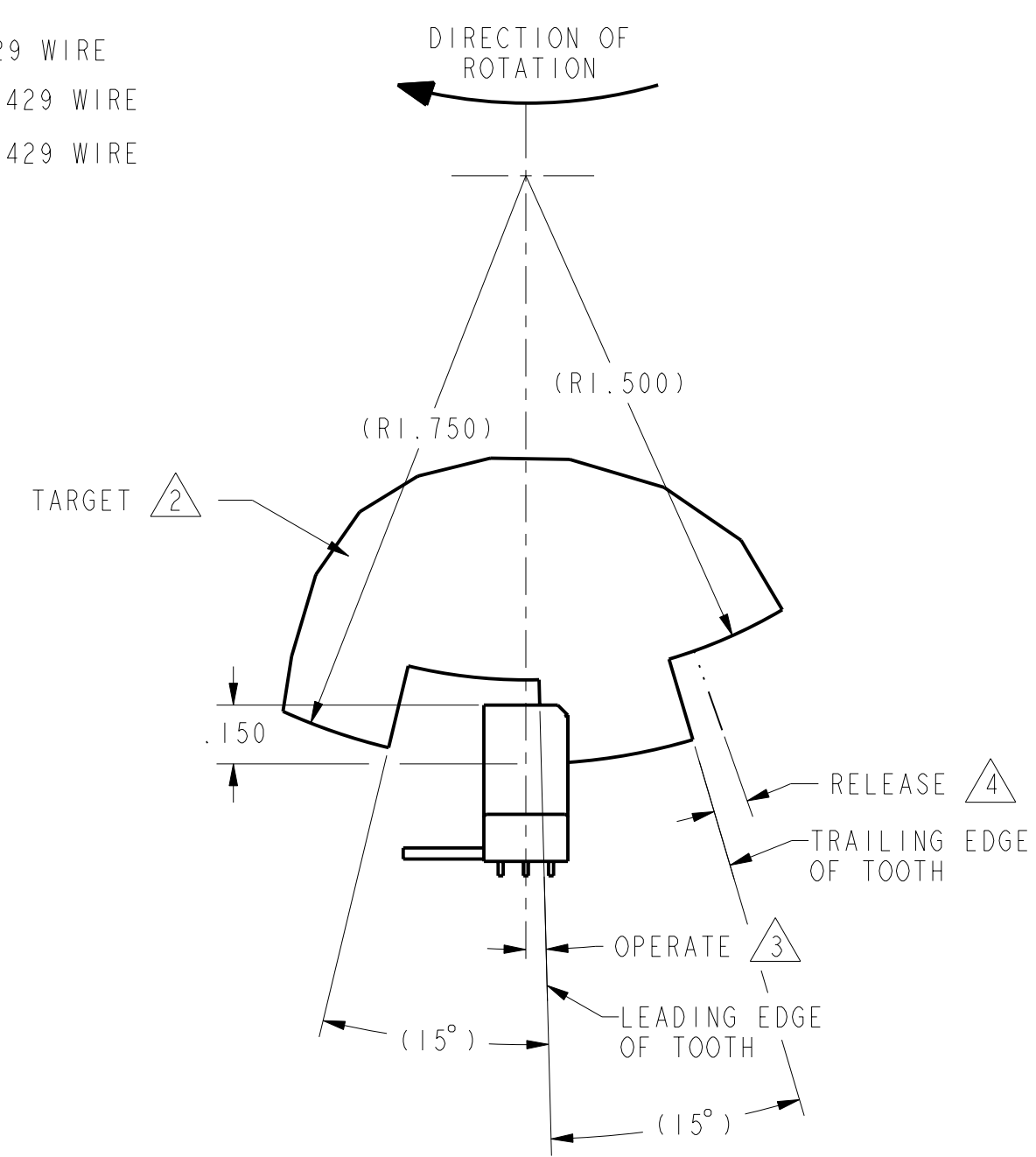
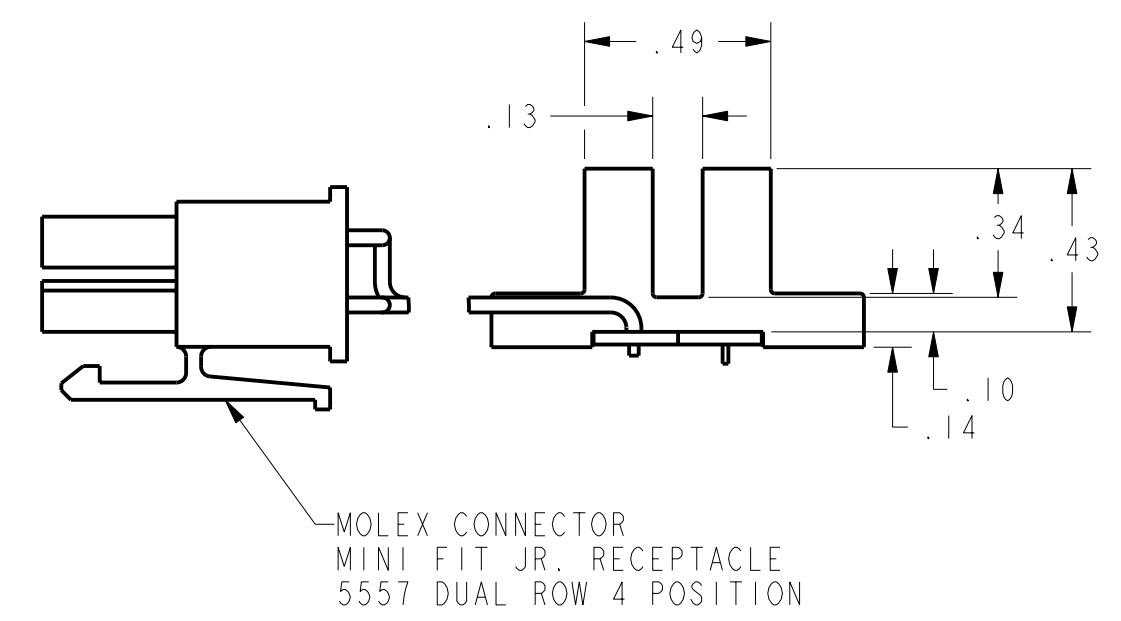
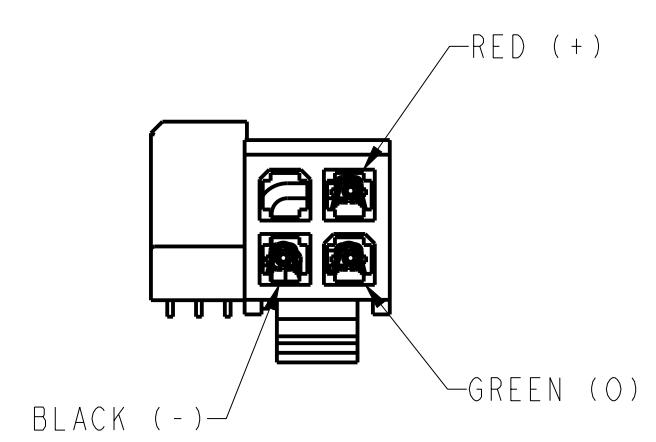
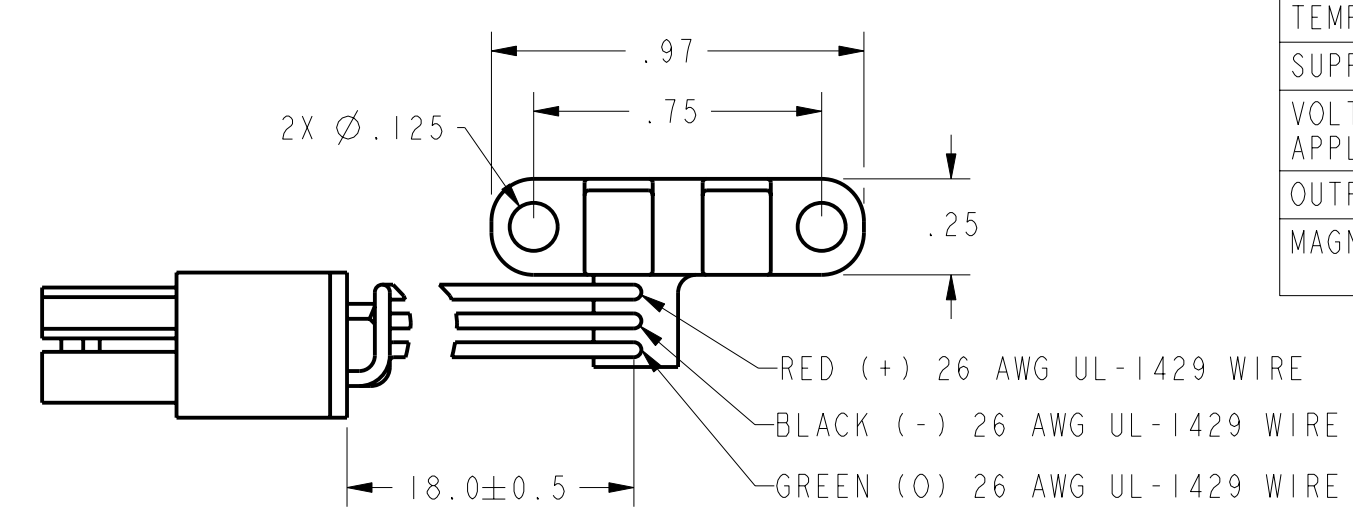
- NOTES
- 1 - MOUNTING SPECIFICATION: NON-FERROUS #4 MACHINE HEAD SCREWS WITH .25 O.D. WASHERS TORQUED TO 3-5 INCH LBS
 - $\triangle 2$ SUGGESTED TARGET CONFIGURATION, MATERIAL: .045 LOW CARBON STEEL
 - $\triangle 3$ OPERATE (DEGREES) IS THE ANGULAR DISTANCE FROM THE LEADING EDGE OF THE TOOTH TO THE CENTERLINE ON THE SENSOR
 - $\triangle 4$ RELEASE (DEGREES) IS THE ANGULAR DISTANCE FROM THE TRAILING EDGE OF THE TOOTH TO THE CENTERLINE OF THE SENSOR
 - $\triangle 5$ OPERATING SPECIFICATION IS BASED ON TARGET SHOWN AND WILL VARY WITH TARGET GEOMETRY

ELECTRICAL CHARACTERISTICS

	CONDITION	
SPECIFIED VOLTAGE RANGE		3.8 TO 30 VDC
MAX I _{off}	V _{cc} =30V, I _{sink} =20mA, -20°C<T<85°C, B>MAX OP	9.0 mA
MAX I _{on}	V _{cc} =30V, I _{sink} =20mA, -20°C<T<85°C, B>MAX OP	10.0 mA
RATED SINK CURRENT		20 mA
MAX V _{sat}	V _{cc} =3.8V, I _{sink} =20mA, B>MAX OP	0.4 V
MAX LEAKAGE CURRENT	V _{out} =30V, V _{cc} =24V, B<MIN REL	10 μ A
RISE TIME 10% TO 90%	T=25°C, V _{cc} =12V, R ₂ =1.6 K Ω , C ₂ =20pf	1.5 μ S
FALL TIME 90% TO 10%	T=25°C, V _{cc} =12V, R ₂ =1.6 K Ω , C ₂ =20pf	1.5 μ S

ABSOLUTE MAXIMUM RATINGS

TEMPERATURE	-20°C TO +85°C
SUPPLY VOLTAGE (V _s)	3.8 VDC TO 30 VDC
VOLTAGE EXTERNALLY APPLIED TO OUTPUT	-0.5 TO +30 VDC
OUTPUT CURRENT	50 mA
MAGNETIC FLUX	NO LIMIT, CIRCUIT CANNOT BE DAMAGED BY MAGNETIC OVERDRIVE



UNLESS OTHERWISE SPECIFIED TOLERANCES ARE:	<input checked="" type="checkbox"/> US (inch) CUSTOMARY	<input type="checkbox"/> SI (mm) METRIC	DRAWN	SAV	20DEC99
NO PLACE	X	\pm .040	CHECK	JAF	20DEC99
ONE PLACE	.X	\pm .030	THIS DRAWING COVERS A PROPRIETARY ITEM AND IS THE PROPERTY OF HONEYWELL SENSING AND CONTROL. THIS DRAWING IS NOT TO BE COPIED OR USED WITHOUT THE PERMISSION OF HONEYWELL.		
TWO PLACE	.XX	\pm .015	DIMENSIONS ARE TO BE MET BEFORE PROTECTIVE COATINGS ARE APPLIED		
THREE PLACE	.XXX	\pm .005	2D PTC	ASME Y14.5M-1994	
ANGLES		\pm			
RAW MATERIAL-COMMERCIAL STANDARD		\pm			
THIRD ANGLE PROJECTION					

Honeywell			
Sensing and Control			
TITLE VANE SENSOR			
SIZE	DWG TYPE	DRAWING NAME	REV
C	M	SR16C-J4	2
SCALE 2 : 1	WEIGHT	SHEET 1 OF 1	