

4

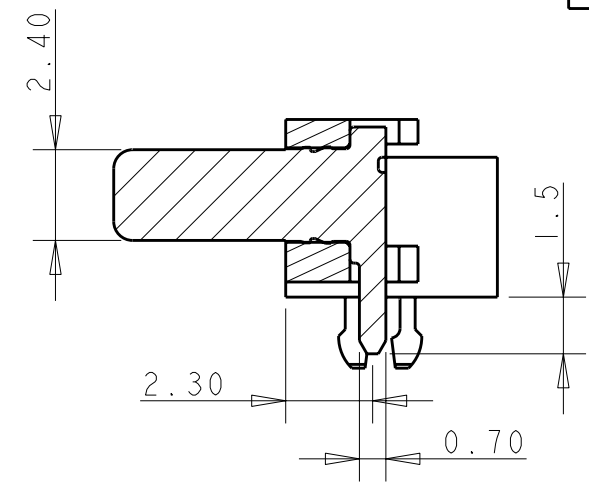
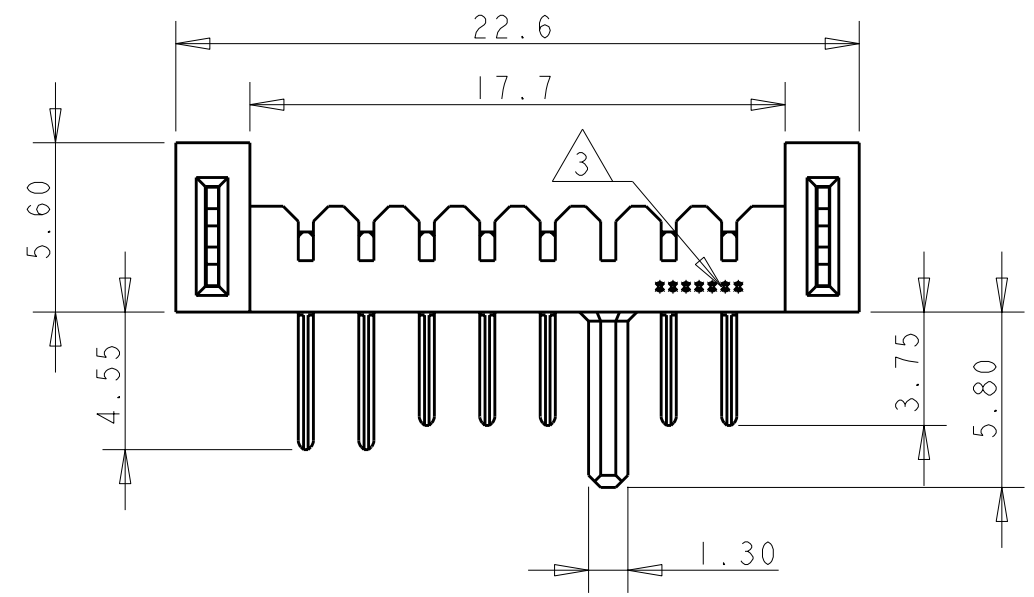
3

2

1

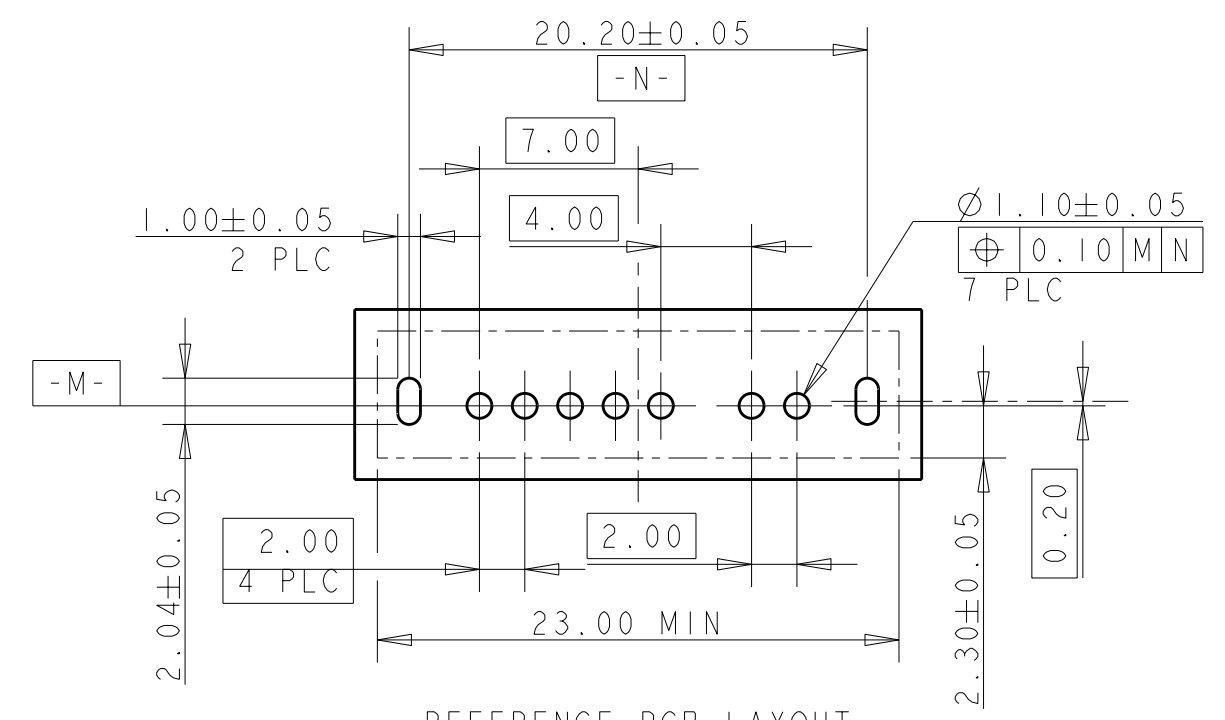
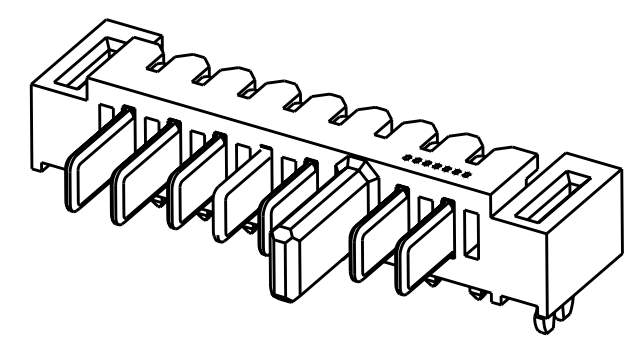
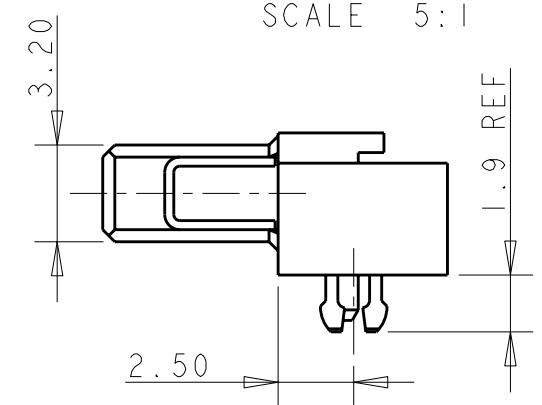
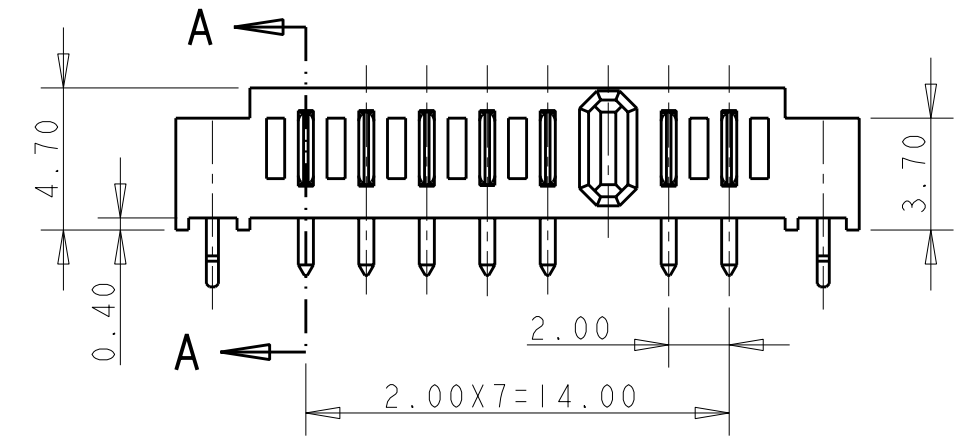
THIS DRAWING IS UNPUBLISHED. RELEASED FOR PUBLICATION 20  
 © COPYRIGHT 20 BY TYCO ELECTRONICS CORPORATION. ALL RIGHTS RESERVED.

LOC	DIST	REVISIONS					
		P	LTR	DESCRIPTION	DATE	DWN	APVD
J	-		A	RELEASED PER ECR-08-021170	02SEP2008	TY	SY

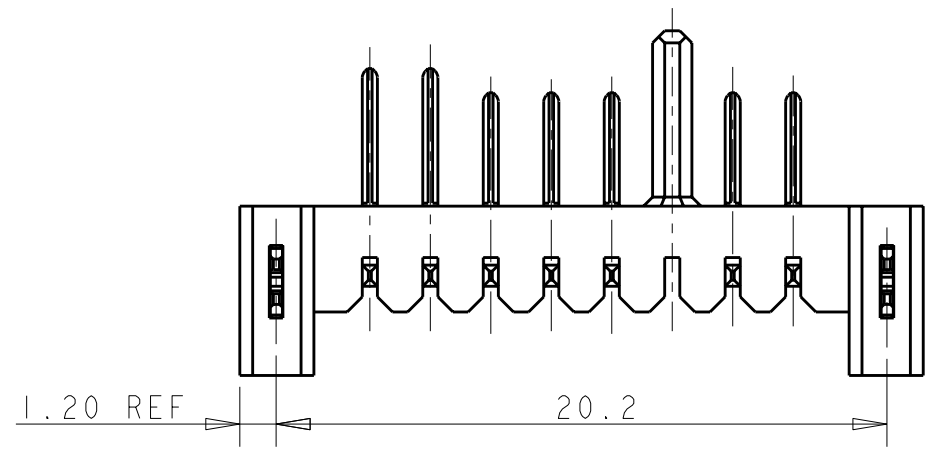


SECTION A-A  
SCALE 5:1

- 1 MATERIAL  
HOUSING: HALOGEN FREE PLASTIC, UL94V-1, BLACK  
CONTACT: COPPER ALLOY  
LEG: COPPER ALLOY
- 2 FINISH  
CONTACT: NI ALL OVER UNDERPLATING  
GOLD PLATING AT CONTACT AREA  
GOLD FLASH PLATING AT SOLDER AREA  
LEG: NI ALL OVER UNDERPLATING  
TIN PLATING
- 3 DATE CODE: 7 DIGIT NUMBER: SEE FIG-1



REFERENCE PCB LAYOUT  
PCB THICKNESS 1.0MM  
(VIEW FROM CONNECTOR MOUNTING SIDE)



YYWWD\*\*  
 DAY SHIFT OR NIGHT SHIFT  
 ASS'Y LINE NO.  
 A,B,C,\*\*\*  
 DAY  
 WEEK CODE  
 YEAR

3 FIG-1

THIS DRAWING IS A CONTROLLED DOCUMENT FOR TYCO ELECTRONICS CORPORATION  
IT IS SUBJECT TO CHANGE AND THE CONTROLLING ENGINEERING ORGANIZATION  
SHOULD BE CONTACTED FOR THE LATEST REVISION.

DIMENSIONS:	TOLERANCES UNLESS OTHERWISE SPECIFIED:
mm	0 PLC ±
	1 PLC ±0.25
	2 PLC ±0.10
	3 PLC ±
	4 PLC ±
	ANGLES ±3
MATERIAL	FINISH
1	2

DWN	T.YU	04AUG2008	Tyco Electronics	
CHK	S.ZHAO	04AUG2008	Shanghai P.R.CHINA 200233	
APVD	-	-	NAME	
PRODUCT SPEC	-	-	PLUG ASSEMBLY	
APPLICATION SPEC	-	-	2.0mm PITCH 7POS REVERSE	
			BATTERY CONNECTOR	
WEIGHT	-	-	SIZE	RESTRICTED TO
			A3	-
CUSTOMER DRAWING			CAGE CODE	DRAWING NO
			300779	C-1932154
			SCALE	SHEET OF REV
			4:	1 OF 1 REV A