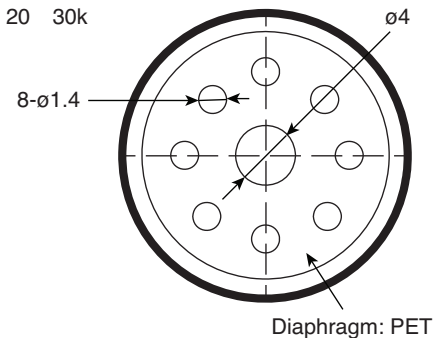
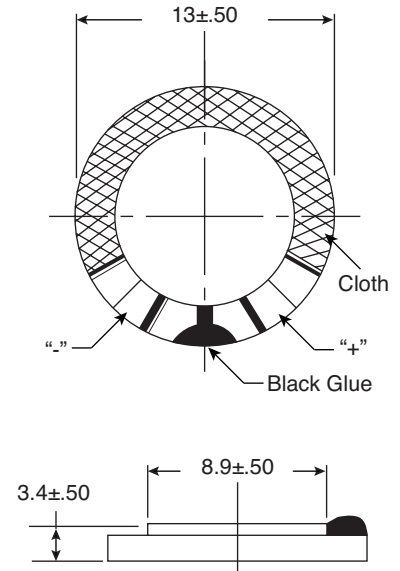
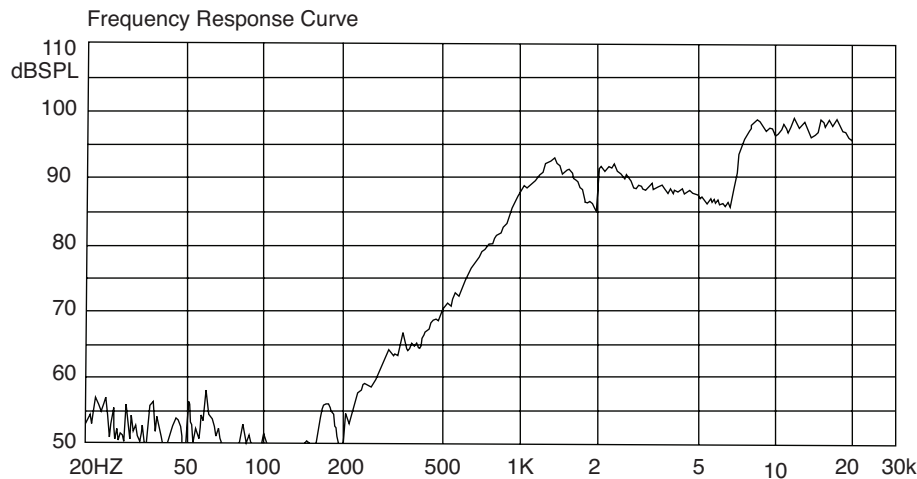


Part Number:

254-DS136-RO

Dynamic Speaker



KT-400534

**Electrical Specifications:**

- Rated Input Power: 0.5W
- Max. Input Power: 1.0W for 1min.
- Impedance:  $16\Omega \pm 15\%$  at 1KHz 1V
- Resonant Frequency (Fo):  $1300\text{Hz} \pm 20\%$  at Fo
- Frequency Range: Fo - 20KHz
- Sound Pressure Level:  $90\text{dB} (0.5\text{W}/0.1\text{M}) \pm 3\text{dB}$

**Mechanical Specifications:**

- Operating Temperature:  $-20^\circ\text{C}$  to  $+60^\circ\text{C}$
- Storage Temperature:  $-30^\circ\text{C}$  to  $+70^\circ\text{C}$

**Materials:**

- Magnet: Nd-Fe-B

**Soldering Specifications:**

- Recommend using constant searing-iron
- Temperature Range:  $360 \pm 5^\circ\text{C}$  for 2 seconds

**Note:**

- RoHS Compliant