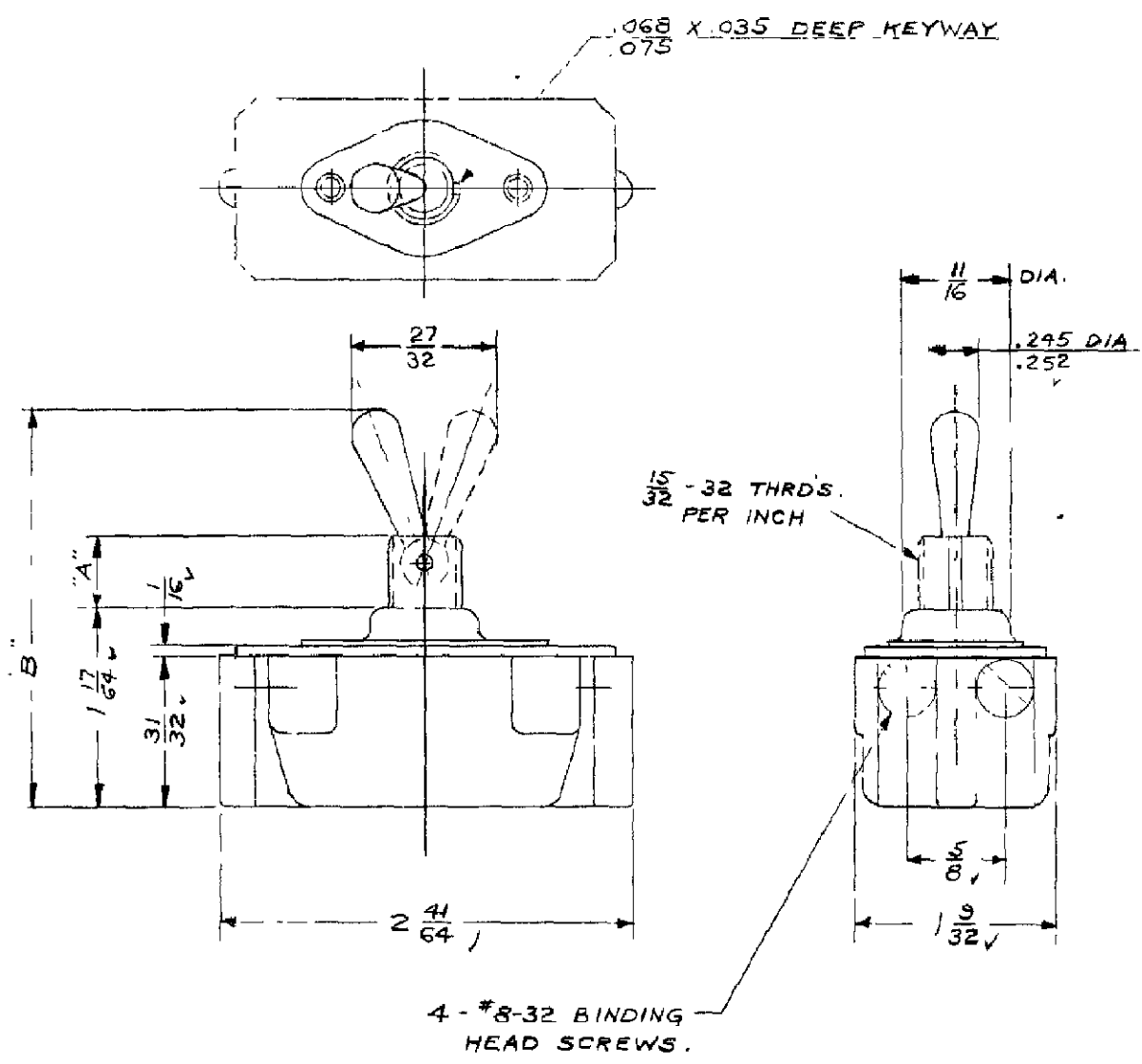


A 90-347

RAW MAT SPEC WITH
PART NO AND AMOUNT REQ D.



7400	$15 \frac{15}{32}$	$2 \frac{35}{64}$
7400	$1 \frac{1}{32}$	$2 \frac{27}{64}$
CAT. NO.	A	B

BULLETIN
DIMENSIONS FOR 20 AMP. 250 V. ONE HOLE MTG. TOOL HANDLE SWITCH

A	$2 \frac{27}{32}$ WAS $2 \frac{29}{32}$. .245-.252 WAS .312-.302 DM81-3200-10	GDG 1-15	1070 Bck	DR E. B. Leonard J. Raab Geo. J. Munn	9/19/40 10/4/40 10/5/40	FIRST ASSEM. WHERE LISTED D 90-341
B				APP. CMK.		SUP'S.
C						NON-INTERCHANGEABLE SUP D BY
D						NON-INTERCHANGEABLE SURFACE COATING
E						DO NOT SCALE DRAWING. WORK ACCORDING TO DIMENSIONS.
F						STANDARD TOLERANCES 20-375 APPLY TO DIMENSIONS FOR WHICH TOLERANCES ARE NOT SPECIFIED.

ORDER NO. 4041-10
DEV. 4041-10

CUTLER-HAMMER, INC. MILWAUKEE NEW YORK

A 90-347

FORM NO. 7 1000 7-13-40 SCHILLER
IMPERIAL NO. N-16375 CLOTH