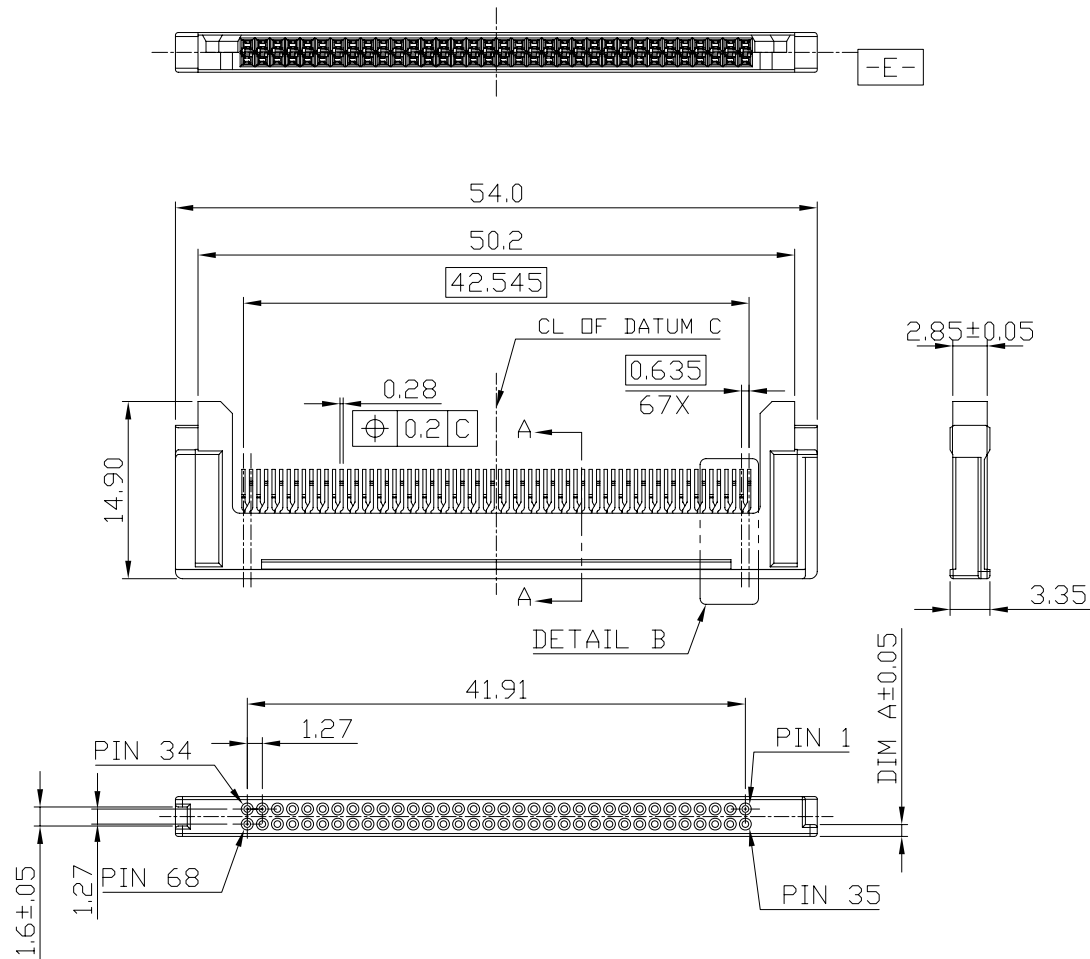




All rights strictly reserved. Reproduction or issue to third parties in any form whatever is not permitted without written authority from the proprietor. Property of FCI. Copyright FCI.

Tous droits strictement réservés. Reproduction ou communication à des tiers interdite sous quelque forme que ce soit sans autorisation écrite du propriétaire. Propriété de c FCI. Droits de reproduction FCI.

PRODUCT NO.	DIM A	VOLTAGE KEY	BOARD OFFSET DIM C	PACKING
10014744				
-002 (-N02)	1.0	5.0V	0.3	SEE NOTE 5 FOR DETAIL DESCRIPTION
-003 (-N03)	1.0	5.0V	0	
-004 (-N04)	1.0	5.0V	-0.3	
-006 (-N06)	2.1	3.3V	0.3	
-007 (-N07)	2.1	3.3V	0	
-008 (-N08)	2.1	3.3V	-0.3	
-011 (N11)	1.0	5.0V	0.6	
-012 (-N12)	2.1	3.3V	0.6	
-013 (-N13)	1.0	5.0V	-0.6	
-014 (-N14)	2.1	3.3V	-0.6	
-015 (-N15)	1.0	5.0V	-0.8	
-021 (-N21)	1.0	5.0V	0	
SEE NOTE 6 FOR -NXX DETAIL				
SEE NOTE 7 FOR LEAD FREE DETAIL				
(NOTE: -021 & -N21 IS REVERSED TYPE)				



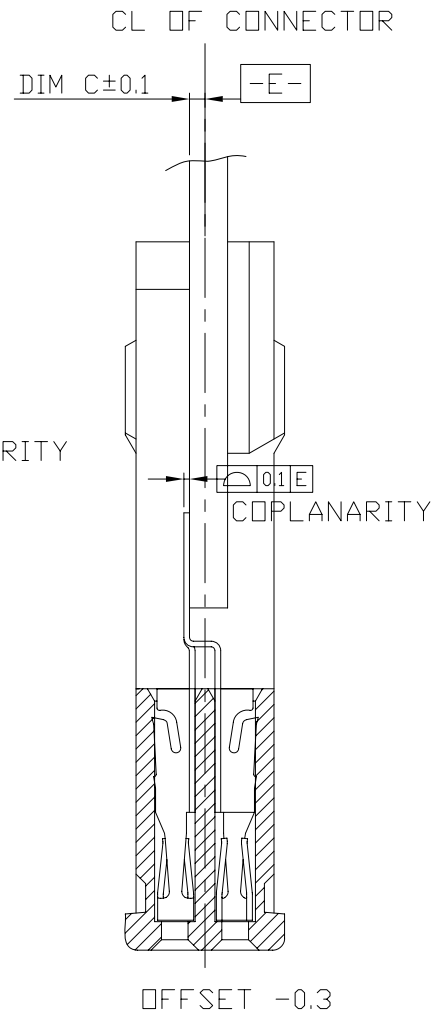
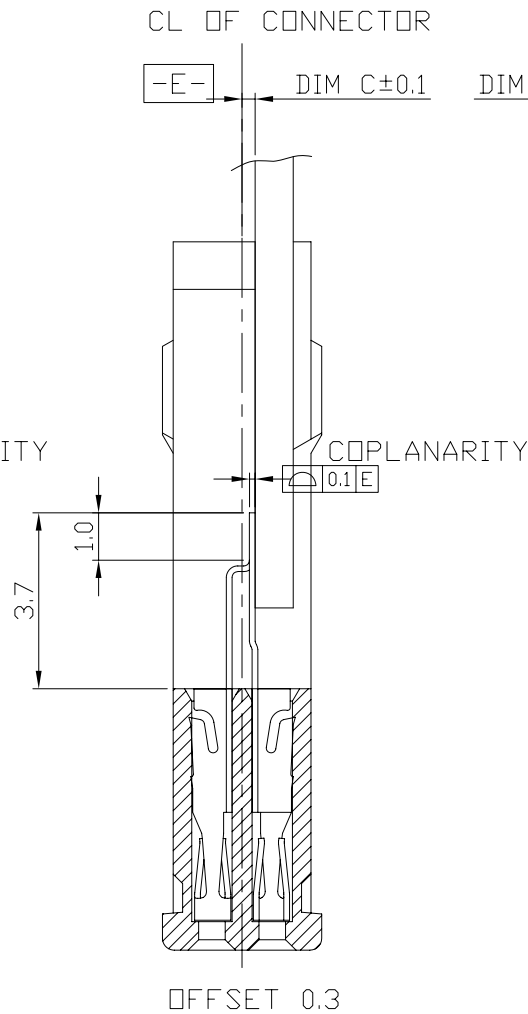
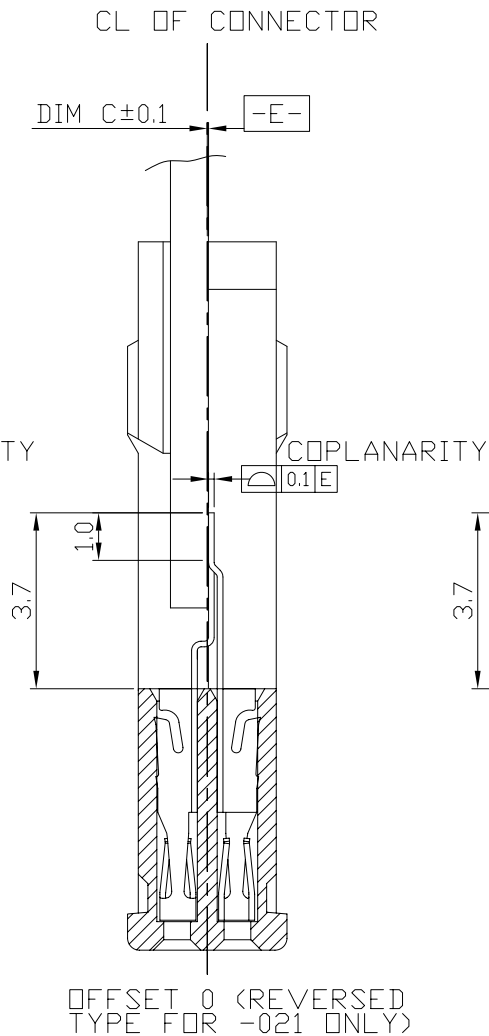
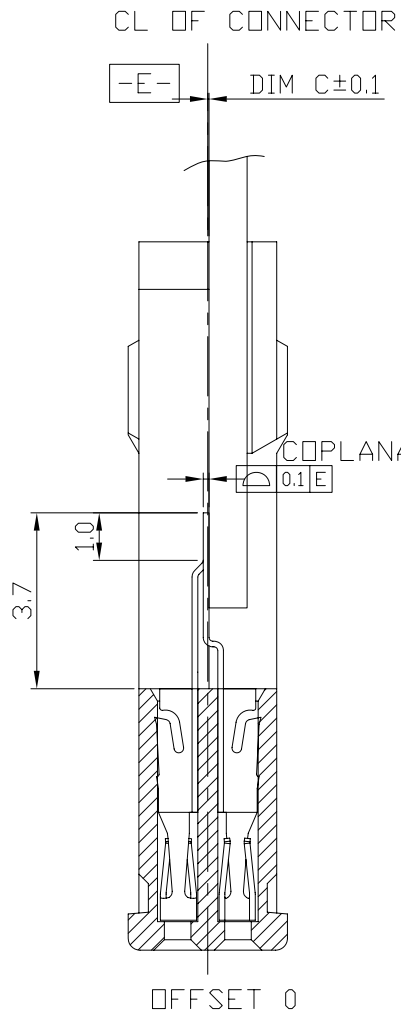
mat'l. code				tolerances unless otherwise specified				CUSTOMER COPY		 www.fciconnect.com	
ltr	ecn no	dr	date	linear	.X ±.3			projection	title		
H	0G08-0116	NZ	05/27/08		.XX ±.13				68PIN PCMCIA RECEPTACLE ASS'Y		
					.XXX ±.050				product family PCMCIA code -		
C	T03-0099	TAI	03/21/03	angles	0° ±2'			 MM	size		sheet
D	T03-0186	TAI	05/21/03	dr	KENNY TAI	12/17/02	A3		10014744	1 of 4	
E	T03-0332	TAI	07/22/04	enrg	KENNY TAI	12/17/02	scale		1:1		
F	T03-0358	TAI	08/23/04	chr	KENNY TAI	12/17/02					
G	0G06-0154	CS	04/06/06	appd	PAUL WANG	12/17/02					
sheet index	revision sheet	H	H	H	H						
		1	2	3	4						

cage code 22526

All rights strictly reserved. Reproduction or issue to third parties in any form whatever is not permitted without written authority from the proprietor. Property of FCI. Copyright FCI.

Tous droits strictement réservés. Reproduction ou communication à des tiers interdite sous quelque forme que ce soit sans autorisation écrite du propriétaire. Propriété de c FCI. Droits de reproduction FCI.

A
FCI



mat'l. code				tolerances unless otherwise specified		CUSTOMER COPY	A FCI www.fciconnect.com		
ltr	ecn no	dr	date	linear	.X ± .3	projection MM	title		
H					.XX ± .13		68PIN PCMCIA RECEPTACLE ASS'Y		
				angles	.XXX ± .050		product family PCMCIA code -		
				dr	0° ± 2'	scale 1:1	size	dwg no	
				enrg	KENNY TAI 12/17/02		A3	10014744	sheet 2 of
				chr	KENNY TAI 12/17/02				
				appd	PAUL WANG 12/17/02				
sheet index	revision sheet								

cage code
22526

ACAD

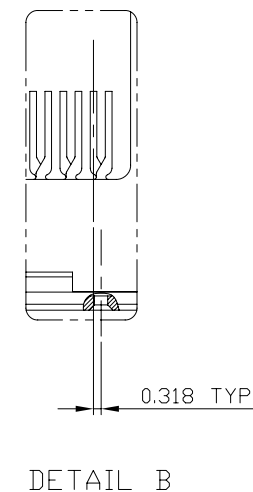
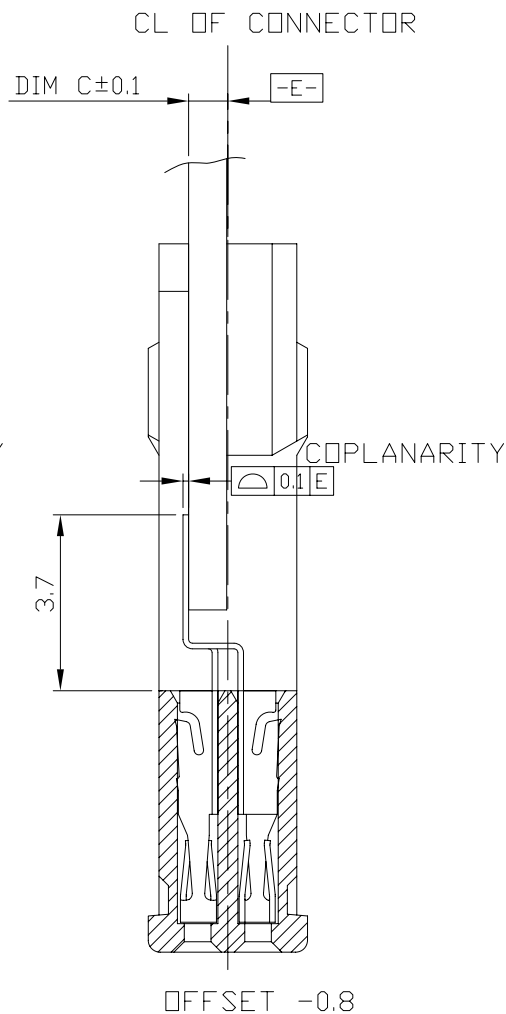
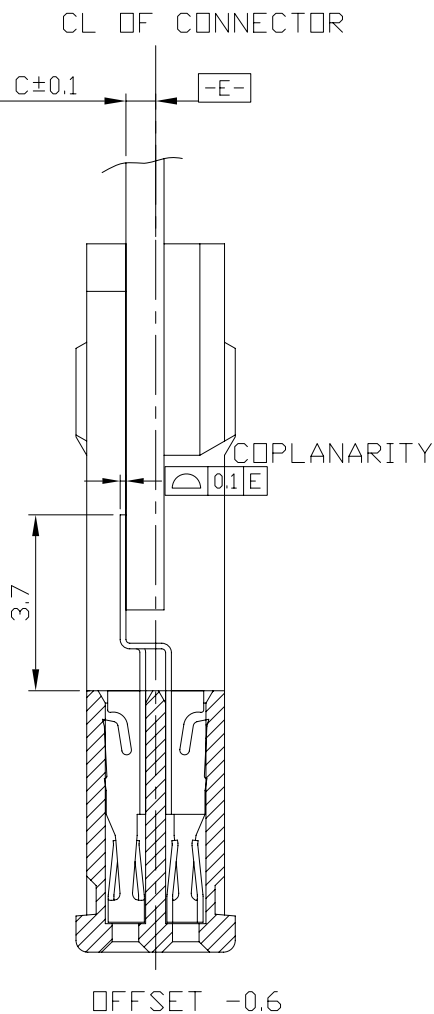
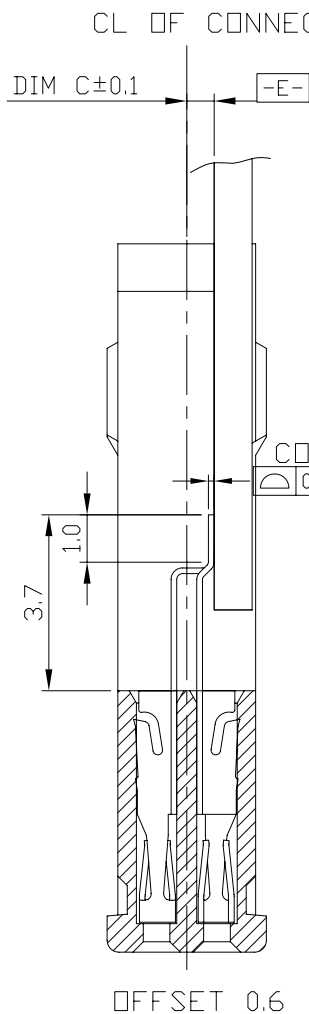
PDM: Rev:H

STATUS: Released

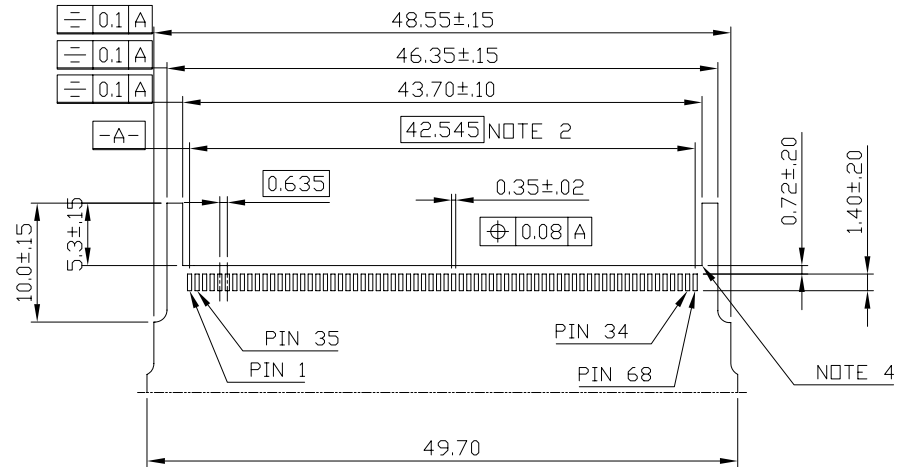
Printed: Jun 07, 2008

All rights strictly reserved. Reproduction or issue to third parties in any form whatever is not permitted without written authority from the proprietor. Property of FCI. Copyright FCI.

Tous droits strictement réservés. Reproduction ou communication à des tiers interdite sous quelque forme que ce soit sans autorisation écrite du propriétaire. Propriété de c FCI. Droits de reproduction FCI.





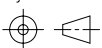
mat'l. code				tolerances unless otherwise specified			CUSTOMER COPY		 www.fciconnect.com	
ltr	ecn no	dr	date	linear	.X ± .3		projection	title		
H					.XX ± .13			68PIN PCMCIA RECEPTACLE ASS'Y		
					.XXX ± .050			product family PCMCIA code -		
				angles	0° ± 2'		 MM	size		sheet
				dr	KENNY TAI	12/17/02		A3		3 of
				enrg	KENNY TAI	12/17/02	scale		cage code	
				chr	KENNY TAI	12/17/02	1:1		22526	
				appd	PAUL WANG	12/17/02			4	
sheet index	revision sheet									



RECOMMENDED P.C.B. LAYOUT

NOTE:

- MATERIAL:
CONTACT: PHBR 0.12t
HOUSING: LCP UL94V-0 (BLACK COLOR: -XXX; NATURAL COLOR: -NXX)
- FINISH:
CONTACT: ALL OVER--- Ni UNDER 0.5 MICRON THK.
CONTACT AREA--- Au or GXT 0.38 MICRON THK. 
SOLDER TAIL---TIN LEAD 2.5 MICRON THK.
- MAXIMUM PCB BOW ON THIS DIMENSION IS 0.1mm.
- PACKING SPEC. REFER TO GS-14-723.
- ELIMINATE THE CORNER TO PREVENT INTERFERENCE WITH SOLDER TAIL.
- XXX (-NXX) USE STD. PACKAGE, 1872 PCS / CARTON;
-XXXT (-NXXT) USE TAPE AND REEL, 750 PCS / REEL;
-XXXX (-NXXX) USE STD. PACKAGE, 200 PCS / CARTON;
-XXXXA (-NXXXA) USE TAPE AND REEL, 600 PCS / REEL.
- NXX USE NATURAL COLOR HOUSING. EX. -N02 IS THE SAME WITH -002 EXCEPT NATURAL COLOR.
- XXXXLF IS LEAD FREE PLATING. SOLDER TAIL IS PLATED TIN 2.5 MICRON.
- PRODUCT SPEC. REFER TO GS-12-228.

mat'l. code				tolerances unless otherwise specified				CUSTOMER COPY		 www.fciconnect.com	
ltr	ecn no	dr	date	linear	.X ±.3			projection	title 68PIN PCMCIA RECEPTACLE ASS'Y		
H					.XX ±.13						
				angles	.XXX ±.050				product family PCMCIA code -		
					0° ±2'						
				dr	KENNY TAI	12/17/02	← MM →	size		sheet	
				enrg	KENNY TAI	12/17/02		dwg no			4 of
				chr	KENNY TAI	12/17/02	scale	10014744			
				appd	PAUL WANG	12/17/02		1:1	A3		
sheet index	revision sheet										

cage code 22526