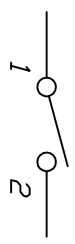
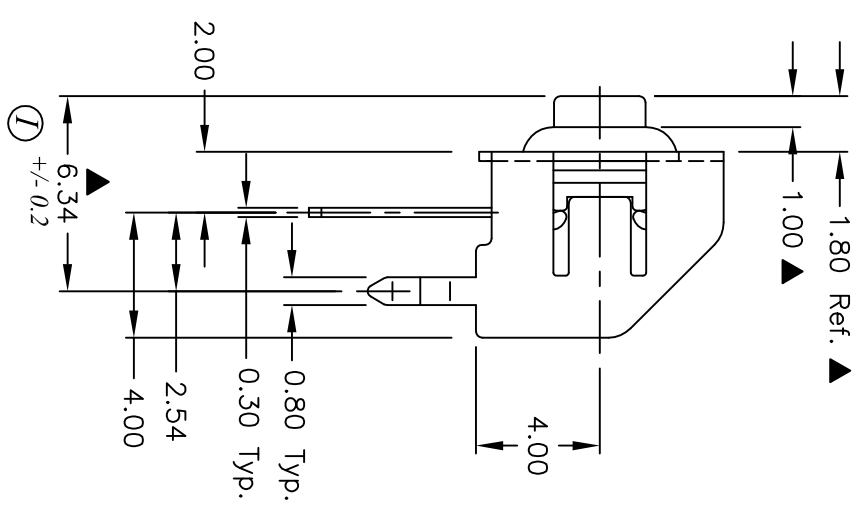
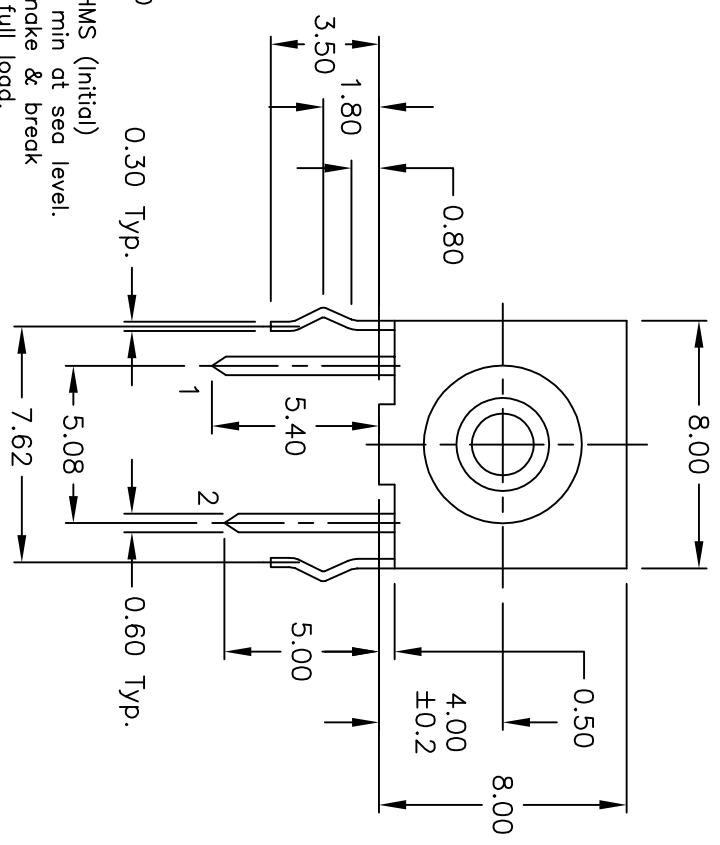


RECOMMENDED P.C.B. LAYOUT



CIRCUIT: SPST
CONTACT CONFIGURATION



- NOTES:
1. ALL DIMENSIONS IN MM
 2. GENERAL TOLERANCE: X.X=±0.4
X.XX=±0.25
 3. TERM. NOS. FOR REF. ONLY
 4. ACTUATION FORCE: 130±40gf
 5. TRAVEL TO MAKE: 0.3mm +0.4/0.0
 6. RATING: 30mA, @12V DC
 7. CONTACT RESISTANCE: 50 mΩ-Ω (Initial)
 8. DIELECTRIC STRENGTH: 300 V RMS min at sea level.
 9. ELECTRICAL LIFE CYCLE: 400,000 make & break cycles at full load.
 10. ▲ DESIGNATE MAJOR DIMENSIONS.
 11. OPERATING TEMP: -40°C to +80°C
 12. 2002/95/EC (ROHS) COMPLIANT

| | | | | |
|------|---------|------------------------------|----------|------|
| I | 18193 | BUTTON LENGTH TOLERANCE CHG. | 7/31/08 | BLR |
| H | 15473 | WASHABLE INFO FROM DESC. | 10/28/05 | PH |
| G | 12191 | REVISED NOTE 9, ADD NOTE 11 | 5/28/02 | CB |
| F | 12148 | REVISED PART DESCRIPTION | 7/31/08 | |
| REV. | ECN No. | DESCRIPTION | DATE | CHKD |

| | | | | | | | | |
|--|--|------------------|--|-------|---------|-----|---------|-----|
| THE INFORMATION CONTAINED IN THIS DOCUMENT IS PROPRIETARY TO E-SWITCH AND IS NOT TO BE COPIED OR TRANSFERRED | | TITLE | | SCALE | DATE | DR | DWG | REV |
| | | GSR 6.34 F130 QP | | 4:1 | 7/31/08 | BLR | L300000 | I |

