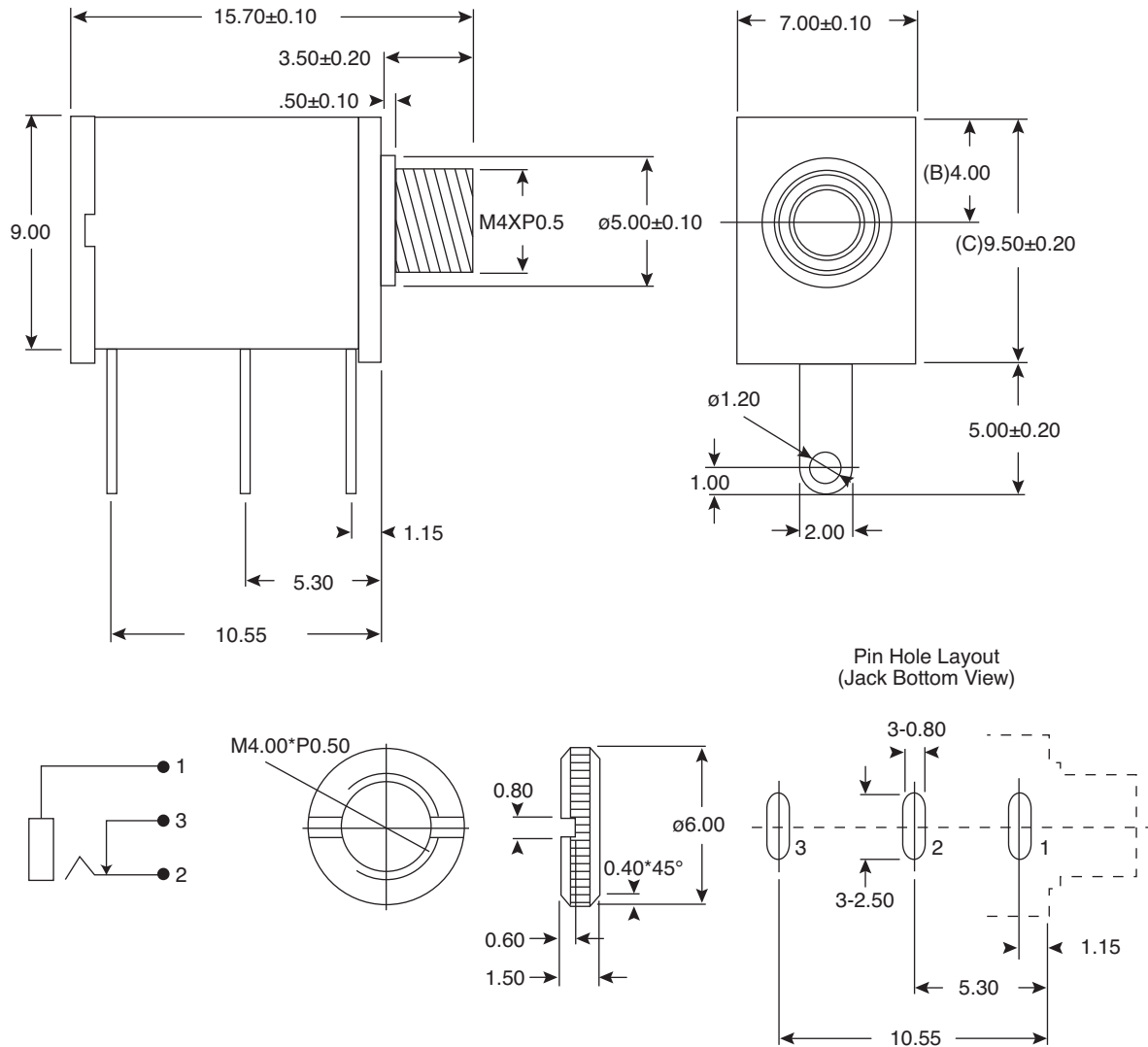


Phone Jack 2.5mm Mono

161-3403-E



Phone Jack 2.5mm Mono



Dimensions: mm

MATERIAL SPECIFICATIONS	
Nut:	Brass Nickel Plated
Housing:	PBT Black
Cover:	PBT Black
Barrel:	Brass Nickel Plated
Break Terminal:	0.3T Brass Silver Plated
Ring Spring:	0.25T Phosphor Bronze Silver Plated
Earth Terminal:	0.3T Brass Silver Plated
RoHS Compliant	

ELECTRICAL SPECIFICATIONS	
Contact Resistance:	30mΩ max.
Insulation Resistance:	100MΩ min. at DC 500V
Dielectric Withstanding	AC 500V for one minute
Voltage:	

Date Last Revised: 09/30/08

Available from Mouser Electronics
1-800-346-6873 / www.mouser.com

KC-301253

Specifications are subject to change without notice. No liability or warranty implied by this information. Environmental compliance based on producer documentation.

161-3403-E