

Command-type TFT-LCD Module

4.3 inch standard product

RoHS

■ Features

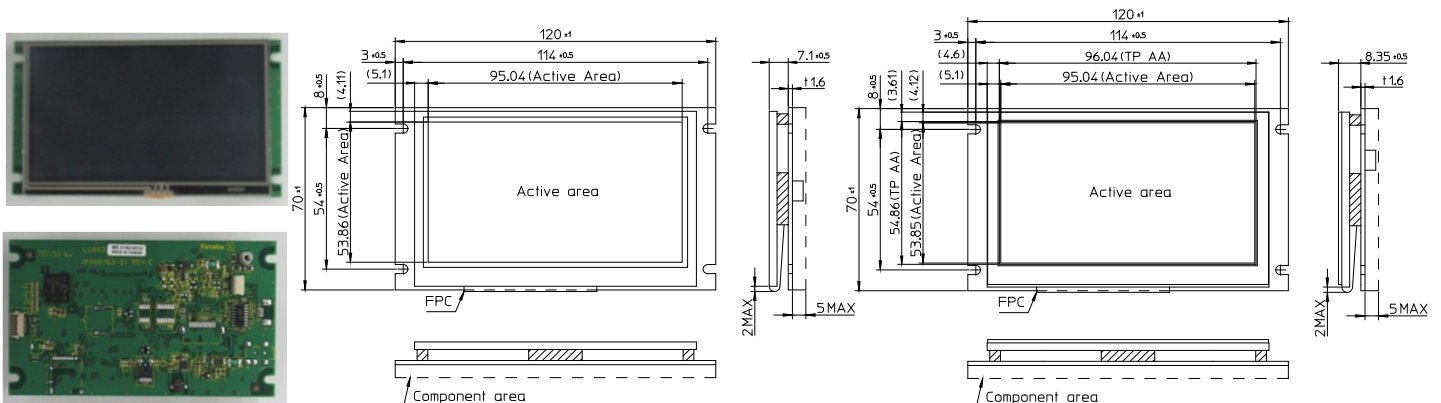
This TFT-LCD module/control board displays content, including stored JPEG images and text with internal fonts, by way of a simple command set.

■ Specifications

Item \ Series	LC013BA	LC013BD	LC013BB	LC013BE
LCD panel	Display size class [inch]			
	4.3			
	Pixels [dot]			
	480 × 272 (WQVGA)			
	Active area [W×H mm]			
	95.04 × 53.86			
	Luminance [c/m ²]			
1050		820		
Viewing angles [deg]				
Bottom = 70, Top = 50, Left = 70, Right = 70				
Backlight type				
LED				
LED lifetime [h] ※1				
Min 20,000				
Interface		USB2.0 Full Speed	RS232C (115.2kbps max.)	USB2.0 Full Speed
				RS232C (115.2kbps max.)
Touch panel	Type			
	resistive			
	Active area [W×H mm]			
	96.04 × 54.86			
Surface durability [touches]				
1,000,000				
Surface hardness				
3H				
Character				
Japanese (kanji, katakana, hiragana, alphanumeric)				
Font code				
FA UD Gothic-R				
Internal memory for screen images	Full screen JPEGs			
	50 (256 kB / 1 JPEG)			
Partial screen JPEGs		200 (64 kB / 1 JPEG)		
Supply voltage [V]		5.0		
Power consumption [W]		2.5		
Operating temperature [°C]		-20 ~ +70		
Storage temperature [°C]		-30 ~ +70		
Operating temperature [%RH] no condensation		10 ~ 90		
Storage temperature [%RH] no condensation		10 ~ 90		
Outer dimensions [W×H×T mm]		120 × 70 × 14.2		120 × 70 × 15.45
Weight [g]		approx. 100		

※1: LED lifetime = hours for the module luminance to decrease to 50% of original measured brightness at Ta = 25°C.

■ Appearance, outer dimensions



LC013BA, BD (w/o touch panel)

LC013BB, BE (with touch panel)

<Contact>

Futaba Corporation Makuhari Marketing & Sales Center Makuhari Techno-Garden B6, 1-3 Nakase, Mihama-ku, Chiba, 261-8555, Japan
 TEL : 81-43-296-5112 FAX : 81-43-296-5122

URL <http://www.futaba.co.jp/>