

## Diazed/Neozed Fuses

380-500 Volts AC • 2– 63 Amperes



Littelfuse fast acting (gL-gG) fuses are used for the protection of cables against short-circuits. Time-lag (aM) fuses are used for protection of motors. Ratings are available in standard Diazed and compact Neozed styles.

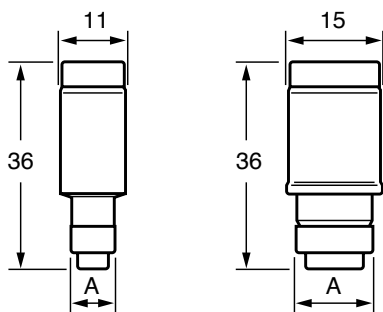
### Specifications

**Standards:** DIN 49.522-DIN 49.525, IEC 269-3  
**Approvals:** VDE  
 Example part number: DZ27F4

Base Size	Type	Current Range	Voltage AC/DC	Interrupting Rating
14	D01	2-16A	380V/250V	50kA
18	D02	20-63A	380V/250V	50kA
16	DI	2-25A	500V	80kA
27	DII	2-25A	500V	80kA
33	DIII	35-63A	500V	80kA

All Diazed and Neozed fuses incorporate a blown fuse indicator.

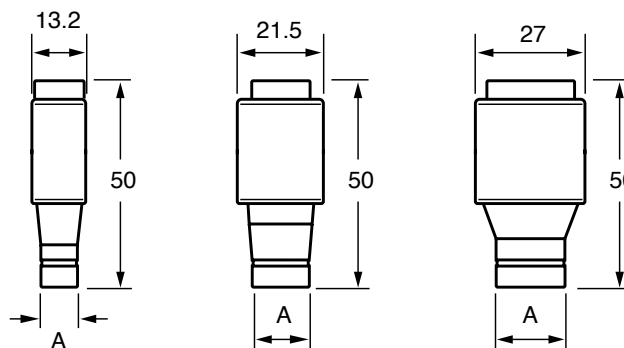
### Neozed Fuses



**D01**

**D02**

### Diazed Fuses



**DI**

**DII**

**DIII**

All dimensions are in "mm"

Amperage	Color	Diazed Fuses							Neozed Fuses		
		gL-gG			aM			DIM. A (mm)	gL-gG		DIM. A (mm)
		DI	DII	DIII	DI	DII	DIII		D01	D02	
2	Pink	DZ16F2	DZ27F2	—	DZ16T2	DZ27T2	—	6	DOZ14G2	—	7.3
4	Brown	DZ16F4	DZ27F4	—	DZ16T4	DZ27T4	—	6	DOZ14G4	—	7.3
6	Green	DZ16F6	DZ27F6	—	DZ16T6	DZ27T6	—	6	DOZ14G6	—	7.3
10	Red	DZ16F10	DZ27F10	—	DZ16T10	DZ27T10	—	8	DOZ14G10	—	8.5
16	Grey	DZ16F16	DZ27F16	—	DZ16T16	DZ27T16	—	10	DOZ14G16	—	9.7
20	Blue	DZ16F20	DZ27F20	—	DZ16T20	DZ27T20	—	12	—	DOZ18G20	10.9
25	Yellow	DZ16F25	DZ27F25	—	DZ16T25	DZ27T25	—	14	—	DOZ18G25	12.1
35	Black	—	—	DZ33F35	—	—	DZ33T35	16	—	DOZ18G35	13.3
50	White	—	—	DZ33F50	—	—	DZ33T50	18	—	DOZ18G50	14.5
63	Copper	—	—	DZ33F63	—	—	DZ33T63	20	—	DOZ18G63	15.9
<b>Base Size (mm)</b>		16	27	33	16	27	33	—	14	18	—

## Diazed/Neozed Fuses

Fuse bases, carriers, and gauge rings are available for Diazed (DZ) and Neozed (DOZ) type fuses. Fuse holders are comprised of a fuse base and carrier. Optional gauge rings act as a rejection feature and are used to prevent over-sizing of fuses. All bases and carriers are single pole units. Contact factory for additional information.

### Fuse Bases

Part No.	Fuse Type	Base Size (mm)	Mounting Type
DZB27S	DZ	27	Screw
DZB27DR	DZ	27	Din Rail
DZB33S	DZ	33	Screw
DZB33DR	DZ	33	Din Rail
DOZB14S	DOZ	14	Screw
DOZB14DR	DOZ	14	Din Rail
DOZB18S	DOZ	18	Screw
DOZB18DR	DOZ	18	Din Rail



### Fuse Carriers

Part No.	Fuse Type	Base Size (mm)
DZC27	DZ	27
DZC33	DZ	33
DOZC14	DOZ	14
DOZC18	DOZ	18

### Gauge Rings

Amp Rating	Color	DZ	DZ	DOZ	DOZ
2	Pink	DZ27PK	—	DOZ14PK	DOZ18PK
4	Brown	DZ27BR	—	DOZ14BR	DOZ18BR
6	Green	DZ27GN	—	DOZ14GN	DOZ18GN
10	Red	DZ27RD	—	DOZ14RD	DOZ18RD
16	Grey	DZ27GY	—	—	DOZ18GY
20	Blue	DZ27BE	—	—	DOZ18BE
25	Yellow	DZ27YW	—	—	DOZ18YW
35	Black	—	DZ33BK	—	DOZ18BK
50	White	—	DZ33WE	—	DOZ18WE
63	Copper	—	DZ33CR	—	—

Contact factory for dimensional information.

