

## Diazed/Neozed Fuses

380-500 Volts AC • 2– 63 Amperes



Littelfuse fast acting (gL-gG) fuses are used for the protection of cables against short-circuits. Time-lag (aM) fuses are used for protection of motors. Ratings are available in standard Diazed and compact Neozed styles.

### Specifications

**Standards:** DIN 49.522-DIN 49.525, IEC 269-3

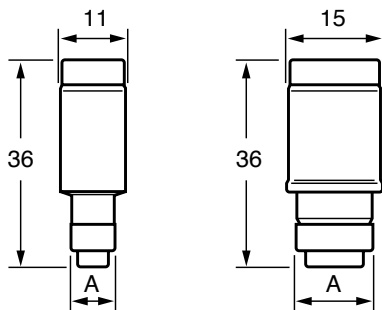
**Approvals:** VDE

Example part number: DZ27F4

| Base Size | Type | Current Range | Voltage AC/DC | Interrupting Rating |
|-----------|------|---------------|---------------|---------------------|
| 14        | D01  | 2-16A         | 380V/250V     | 50kA                |
| 18        | D02  | 20-63A        | 380V/250V     | 50kA                |
| 16        | DI   | 2-25A         | 500V          | 80kA                |
| 27        | DII  | 2-25A         | 500V          | 80kA                |
| 33        | DIII | 35-63A        | 500V          | 80kA                |

All Diazed and Neozed fuses incorporate a blown fuse indicator.

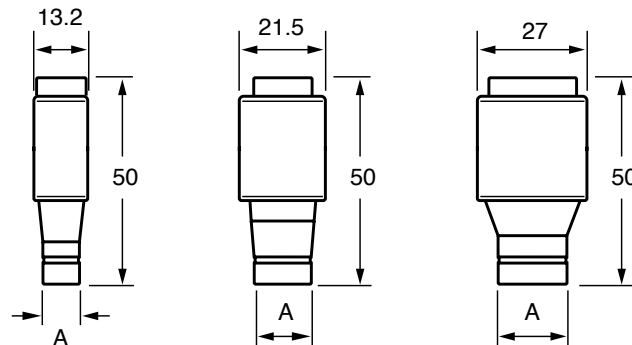
### Neozed Fuses



D01

D02

### Diazed Fuses



DI

DII

DIII

All dimensions are in "mm"

| Amperage              | Color  | Diazed Fuses |         |         |         |         |         |                | Neozed Fuses |          |                |
|-----------------------|--------|--------------|---------|---------|---------|---------|---------|----------------|--------------|----------|----------------|
|                       |        | gL-gG        |         |         | aM      |         |         | DIM.<br>A (mm) | gL-gG        |          | DIM.<br>A (mm) |
|                       |        | DI           | DII     | DIII    | DI      | DII     | DIII    |                | D01          | D02      |                |
| 2                     | Pink   | DZ16F2       | DZ27F2  | —       | DZ16T2  | DZ27T2  | —       | 6              | DOZ14G2      | —        | 7.3            |
| 4                     | Brown  | DZ16F4       | DZ27F4  | —       | DZ16T4  | DZ27T4  | —       | 6              | DOZ14G4      | —        | 7.3            |
| 6                     | Green  | DZ16F6       | DZ27F6  | —       | DZ16T6  | DZ27T6  | —       | 6              | DOZ14G6      | —        | 7.3            |
| 10                    | Red    | DZ16F10      | DZ27F10 | —       | DZ16T10 | DZ27T10 | —       | 8              | DOZ14G10     | —        | 8.5            |
| 16                    | Grey   | DZ16F16      | DZ27F16 | —       | DZ16T16 | DZ27T16 | —       | 10             | DOZ14G16     | —        | 9.7            |
| 20                    | Blue   | DZ16F20      | DZ27F20 | —       | DZ16T20 | DZ27T20 | —       | 12             | —            | DOZ18G20 | 10.9           |
| 25                    | Yellow | DZ16F25      | DZ27F25 | —       | DZ16T25 | DZ27T25 | —       | 14             | —            | DOZ18G25 | 12.1           |
| 35                    | Black  | —            | —       | DZ33F35 | —       | —       | DZ33T35 | 16             | —            | DOZ18G35 | 13.3           |
| 50                    | White  | —            | —       | DZ33F50 | —       | —       | DZ33T50 | 18             | —            | DOZ18G50 | 14.5           |
| 63                    | Copper | —            | —       | DZ33F63 | —       | —       | DZ33T63 | 20             | —            | DOZ18G63 | 15.9           |
| <b>Base Size (mm)</b> |        | 16           | 27      | 33      | 16      | 27      | 33      | —              | 14           | 18       | —              |

## Diazed/Neozed Fuses

Fuse bases, carriers, and gauge rings are available for Diazed (DZ) and Neozed (DOZ) type fuses. Fuse holders are comprised of a fuse base and carrier. Optional gauge rings act as a rejection feature and are used to prevent over-sizing of fuses. All bases and carriers are single pole units. Contact factory for additional information.

### Fuse Bases

| Part No. | Fuse Type | Base Size (mm) | Mounting Type |
|----------|-----------|----------------|---------------|
| DZB27S   | DZ        | 27             | Screw         |
| DZB27DR  | DZ        | 27             | Din Rail      |
| DZB33S   | DZ        | 33             | Screw         |
| DZB33DR  | DZ        | 33             | Din Rail      |
| DOZB14S  | DOZ       | 14             | Screw         |
| DOZB14DR | DOZ       | 14             | Din Rail      |
| DOZB18S  | DOZ       | 18             | Screw         |
| DOZB18DR | DOZ       | 18             | Din Rail      |



### Fuse Carriers

| Part No. | Fuse Type | Base Size (mm) |
|----------|-----------|----------------|
| DZC27    | DZ        | 27             |
| DZC33    | DZ        | 33             |
| DOZC14   | DOZ       | 14             |
| DOZC18   | DOZ       | 18             |



### Gauge Rings

| Amp Rating | Color  | DZ     | DZ     | DOZ     | DOZ     |
|------------|--------|--------|--------|---------|---------|
| 2          | Pink   | DZ27PK | —      | DOZ14PK | DOZ18PK |
| 4          | Brown  | DZ27BR | —      | DOZ14BR | DOZ18BR |
| 6          | Green  | DZ27GN | —      | DOZ14GN | DOZ18GN |
| 10         | Red    | DZ27RD | —      | DOZ14RD | DOZ18RD |
| 16         | Grey   | DZ27GY | —      | —       | DOZ18GY |
| 20         | Blue   | DZ27BE | —      | —       | DOZ18BE |
| 25         | Yellow | DZ27YW | —      | —       | DOZ18YW |
| 35         | Black  | —      | DZ33BK | —       | DOZ18BK |
| 50         | White  | —      | DZ33WE | —       | DOZ18WE |
| 63         | Copper | —      | DZ33CR | —       | —       |

Contact factory for dimensional information.