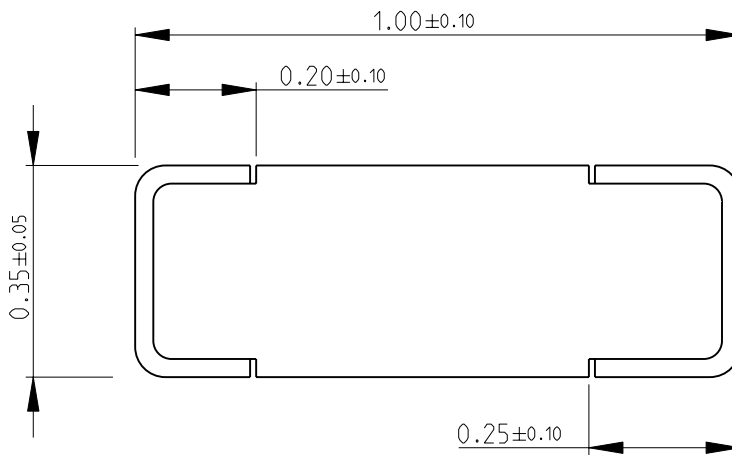
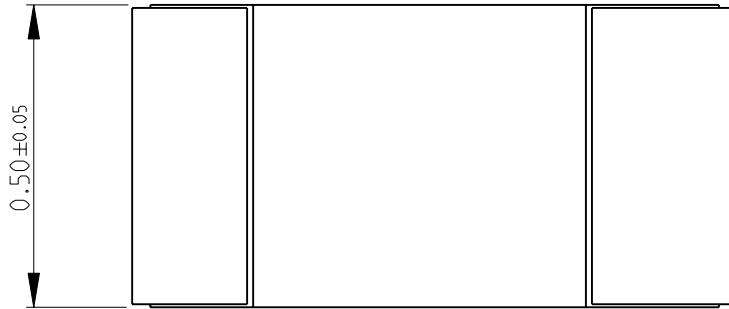
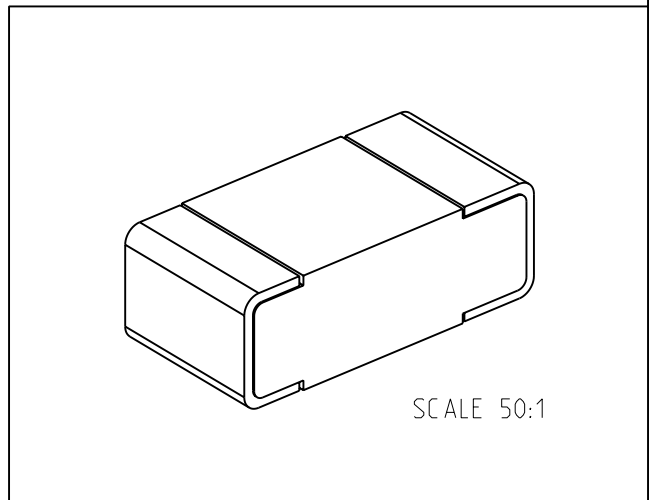


| LOC | DIST | REVISIONS   |             |           |          |
|-----|------|-------------|-------------|-----------|----------|
| P   | LTR  | DESCRIPTION | DATE        | DWN       | APVD     |
| E   | B    | BA          | NEW RELEASE | 03-FEB-10 | MRS St.P |

FOR FURTHER INFORMATION SEE DATA SHEET FOR  
CRG SERIES-THICK FILM CHIP RESISTORS



RoHS Compliant


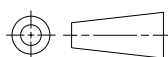


2010

RELEASED FOR PUBLICATION

THIS DRAWING IS UNPUBLISHED.

© COPYRIGHT 2010 BY TYCO ELECTRONICS CORPORATION. ALL RIGHTS RESERVED.

|   |                  |           |  |           |             |               |
|---|------------------|-----------|--|-----------|-------------|---------------|
| DIMENSIONS:<br>mm   | DWN MAHARUDRA    | 03-FEB-10 | MATERIAL   | -         | FINISH      | -             |
|   | CHK ALLAN.P      | 03-FEB-10 |  Tyco Electronics Corporation<br>Dorcan, Swindon, SN3 5HH |           |             |               |
| TOLERANCES UNLESS OTHERWISE SPECIFIED:  | APVD STEPHEN.P   | 03-FEB-10 |  |           |             |               |
| 0 PLC ±0.5  | PRODUCT SPEC     | -         | NAME THICK FILM CHIP RESISTORS   |           |             |               |
| 1 PLC ±0.2  | APPLICATION SPEC | -         | SERIES CRG 0402  |           |             |               |
| 2 PLC ±0.1  | WEIGHT           | -         | SIZE   | CAGE CODE | DRAWING NO  | RESTRICTED TO |
| 3 PLC ±-  |                  |           | A 4  | 00779     | © = 1676480 | -             |
| 4 PLC ±-  |                  |           | CUSTOMER DRAWING   |           |             |               |
| ANGLES ±5°  |                  |           | SCALE  | SHEET     | OF          | REV           |
|  |                  |           | 80:1   | 1         | 1           | BA            |