

# MT9V022

## MT9V022 1/3-Inch Wide VGA CMOS Digital Image Sensor



ON Semiconductor®

[www.onsemi.com](http://www.onsemi.com)

Table 1. KEY PERFORMANCE PARAMETERS

| Parameter                        | Value   |
|----------------------------------|---|
| Optical Format                   | 1/3-inch  |
| Active Imager Size               | 4.51 mm (H) × 2.88 mm (V)<br>5.35 mm Diagonal         |
| Active Pixels                    | 752H × 480 V  |
| Pixel Size                       | 6.0 μm × 6.0 μm                                       |
| Color Filter Array               | Monochrome or Color RGB Bayer Pattern                 |
| Shutter Type                     | Global Shutter – TrueSNAP                             |
| Maximum Data Rate / Master Clock | 26.6 MPS/26.6 MHz                                     |
| Full Resolution                  | 752 x 480   |
| Frame Rate                       | 60 fps (at Full Resolution)                           |
| ADC Resolution                   | 10-bit Column-Parallel                                |
| Responsivity                     | 4.8 V/lux-sec (550 nm)                                |
| Dynamic Range                    | >55 dB;<br>>80 dB–100dB in HiDy Mode                  |
| Supply Voltage                   | 3.3 V ± 0.3 V (All Supplies)                          |
| Power Consumption                | <320 mW at Maximum Data Rate;<br>100 μW Standby Power |
| Operating Temperature            | –40°C to + 85°C                                       |
| Packaging                        | 52-Ball IBGA, Automotive-Qualified;<br>Wafer or Die   |

### ORDERING INFORMATION

See detailed ordering information on page 2 of this data sheet.

### Applications

- Automotive
- Unattended Surveillance
- Stereo Vision
- Security
- Smart Vision
- Automation
- Video as Input
- Machine Vision

### Features

- ON Semiconductor DigitalClarity CMOS Imaging Technology
- Array Format: Wide-VGA, Active 752-H x 480 V (360,960 pixels)
- Global Shutter Photodiode Pixels; Simultaneous Integration and Readout
- Monochrome or Color: Near\_IR Enhanced Performance for Use With Non-Visible NIR Illumination
- Readout Modes: Progressive or Interlaced
- Shutter Efficiency: >99%
- Simple Two-Wire Serial Interface
- Register Lock Capability
- Window Size: User Programmable to Any Smaller Format (QVGA, CIF, QCIF, etc.). Data Rate Can Be Maintained Independent of Window Size
- Binning: 2 x 2 and 4 x 4 of the Full Resolution
- ADC: On-chip, 10-bit Column-Parallel (Option to Operate in 12-bit to 10-bit Companding Mode)
- Automatic Controls: Auto Exposure Control (AEC) and Auto Gain Control (AGC); Variable Regional and Variable Weight AEC/AGC
- Support for Four Unique Serial Control Register IDs to Control Multiple Imagers On the Same Bus
- Data Output Formats:
  - Single Sensor Mode:
    - 10-bit Parallel/Stand-Alone 8-bit or 10-bit Serial LVDS
  - Stereo Sensor Mode: Interspersed 8-bit Serial LVDS

ORDERING INFORMATION

Table 2. AVAILABLE PART NUMBERS

| Part Number    | Description                         |
|----------------|-------------------------------------|
| MT9V022177ATM  | 52-Ball IBGA (monochrome)           |
| MT9V0221A7ATM  | 52-Ball IBGA (lead-free monochrome) |
| MT9V022177ATMC | 52-Ball IBGA (color)                |
| MT9V0221A7ATC  | 52-Ball IBGA (lead-free color)      |

GENERAL DESCRIPTION

The ON Semiconductor MT9V022 is a 1/3-inch wide-VGA format CMOS active-pixel digital image sensor with global shutter and high dynamic range (HDR) operation. The sensor has specifically been designed to support the demanding interior and exterior automotive imaging needs, which makes this part ideal for a wide variety of imaging applications in real-world environments.

This wide-VGA CMOS image sensor features DigitalClarity<sup>↓</sup> ON Semiconductor breakthrough low-noise CMOS imaging technology that achieves CCD image quality (based on signal-to-noise ratio and low-light sensitivity) while maintaining the inherent size, cost, and integration advantages of CMOS.

The active imaging pixel array is 752H x 480V. It incorporates sophisticated camera functions on-chip—such as binning 2 x 2 and 4 x 4, to improve sensitivity when operating in smaller resolutions—as well as windowing,

column and row mirroring. It is programmable through a simple two-wire serial interface.

The MT9V022 can be operated in its default mode or be programmed for frame size, exposure, gain setting, and other parameters. The default mode outputs a wide-VGA-size image at 60 frames per second (fps).

An on-chip analog-to-digital converter (ADC) provides 10 bits per pixel. A 12-bit resolution companded for 10 bits for small signals can be alternatively enabled, allowing more accurate digitization for darker areas in the image.

In addition to a traditional, parallel logic output the MT9V022 also features a serial low-voltage differential signaling (LVDS) output. The sensor can be operated in a stereo-camera, and the sensor, designated as a stereo-master, is able to merge the data from itself and the stereo-slave sensor into one serial LVDS stream.

The sensor is designed to operate in a wide temperature range (-40°C to + 85°C).

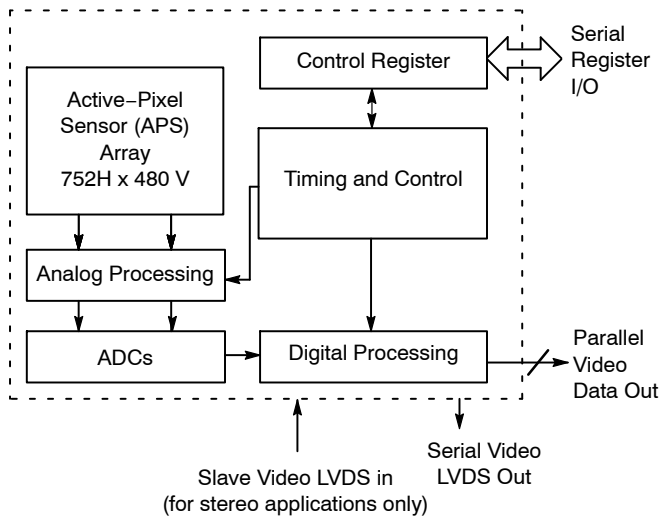
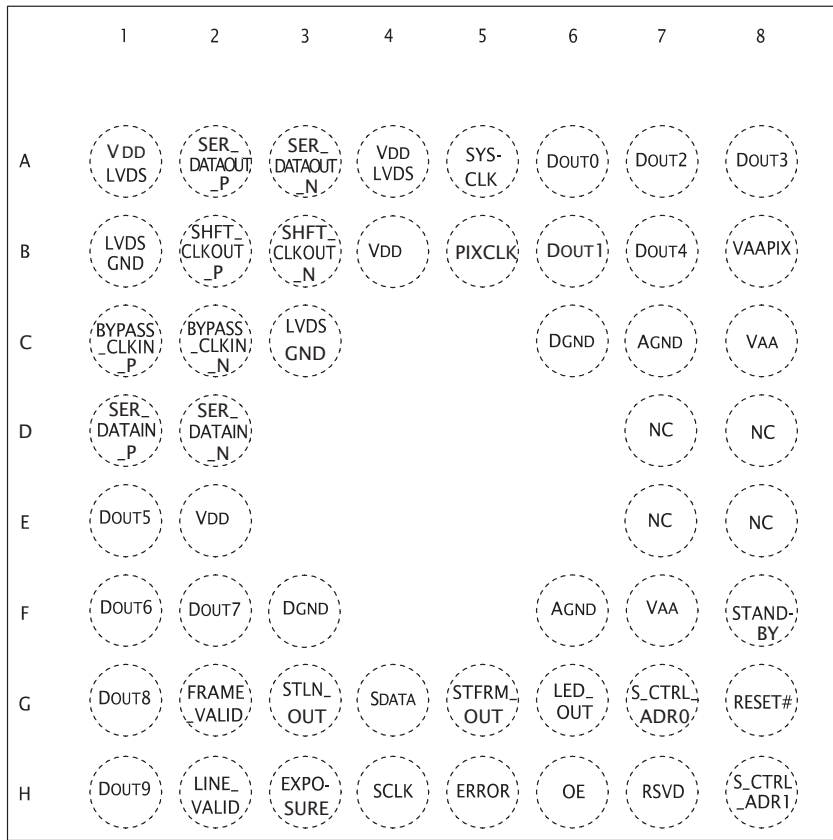


Figure 1. Block Diagram

# MT9V022



**Figure 2. 52-Ball IBGA Package**

## BALL DESCRIPTIONS

**Table 3. BALL DESCRIPTIONS** (Only pins DOUT0 through DOUT9 may be tri-stated)

| 52-Ball IBGA Numbers | Symbol         | Type  | Description  | Note |
|----------------------|----------------|-------|--|------|
| H7                   | RSVD           | Input | Connect to DGND.   | 1    |
| D2                   | SER_DATAIN_N   | Input | Serial data in for stereoscopy (differential negative). Tie to 1K $\wedge$ pull-up (to 3.3 V) in non-stereoscopy mode.                   |      |
| D1                   | SER_DATAIN_P   | Input | Serial data in for stereoscopy (differential positive). Tie to DGND in non-stereoscopy mode.   |      |
| C2                   | BYPASS_CLKIN_N | Input | Input bypass shift-CLK (differential negative). Tie to 1K $\wedge$ pull-up (to 3.3 V) in non-stereoscopy mode.                           |      |
| C1                   | BYPASS_CLKIN_P | Input | Input bypass shift-CLK (differential positive). Tie to DGND in non-stereoscopy mode.   |      |
| H3                   | EXPOSURE       | Input | Rising edge starts exposure in slave mode.   |      |
| H4                   | SCLK           | Input | Two-wire serial interface clock. Connect to VDD with 1.5 K resistor even when no other two-wire serial interface peripheral is attached. |      |
| H6                   | OE             | Input | DOUT enable pad, active HIGH.  | 2    |
| G7                   | S_CTRL_ADR0    | Input | Two-wire serial interface slave address bit 3.   |      |
| H8                   | S_CTRL_ADR1    | Input | Two-wire serial interface slave address bit 5.   |      |
| G8                   | RESET#         | Input | Asynchronous reset. All registers assume defaults.   |      |
| F8                   | STANDBY        | Input | Shut down sensor operation for power saving.   |      |
| A5                   | SYSCLK         | Input | Master clock (26.6 MHz).   |      |

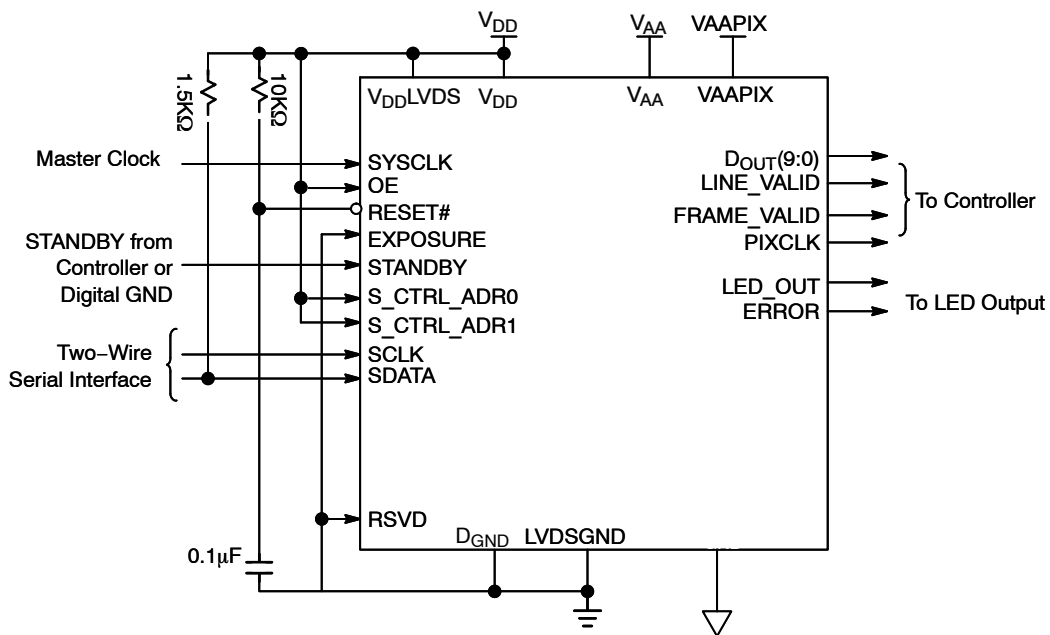
## MT9V022

**Table 3. BALL DESCRIPTIONS** (Only pins DOUT0 through DOUT9 may be tri-stated)

| 52-Ball IBGA Numbers | Symbol        | Type   | Description   | Note |
|----------------------|---------------|--------|---|------|
| G4                   | SDATA         | I/O    | Two-wire serial interface data. Connect to VDD with 1.5 K resistor even when no other two-wire serial interface peripheral is attached. |      |
| G3                   | STLN_OUT      | I/O    | Output in master mode-start line sync to drive slave chip in-phase; input in slave mode.  |      |
| G5                   | STFRM_OUT     | I/O    | Output in master mode-start frame sync to drive a slave chip in-phase; input in slave mode.   |      |
| H2                   | LINE_VALID    | Output | Asserted when DOUT data is valid.   |      |
| G2                   | FRAME_VALID   | Output | Asserted when DOUT data is valid.   |      |
| E1                   | DOUT5         | Output | Parallel pixel data output 5.   |      |
| F1                   | DOUT6         | Output | Parallel pixel data output 6.   |      |
| F2                   | DOUT7         | Output | Parallel pixel data output 7.   |      |
| G1                   | DOUT8         | Output | Parallel pixel data output 8.   |      |
| H1                   | DOUT9         | Output | Parallel pixel data output 9.   |      |
| H5                   | ERROR         | Output | Error detected. Directly connected to STEREO ERROR FLAG.  |      |
| G6                   | LED_OUT       | Output | LED strobe output.  |      |
| B7                   | DOUT4         | Output | Parallel pixel data output 4.   |      |
| A8                   | DOUT3         | Output | Parallel pixel data output 3.   |      |
| A7                   | DOUT2         | Output | Parallel pixel data output 2.   |      |
| B6                   | DOUT1         | Output | Parallel pixel data output 1.   |      |
| A6                   | DOUT0         | Output | Parallel pixel data output 0.   |      |
| B5                   | PIXCLK        | Output | Pixel clock out. DOUT is valid on rising edge of this clock.  |      |
| B3                   | SHFT_CLKOUT_N | Output | Output shift CLK (differential negative).   |      |
| B2                   | SHFT_CLKOUT_P | Output | Output shift CLK (differential positive).   |      |
| A3                   | SER_DATAOUT_N | Output | Serial data out (differential negative).  |      |
| A2                   | SER_DATAOUT_P | Output | Serial data out (differential positive).  |      |
| B4, E2               | VDD           | Supply | Digital power 3.3V.   |      |
| C8, F7               | VAA           | Supply | Analog power 3.3V.  |      |
| B8                   | VAAPIX        | Supply | Pixel power 3.3V.   |      |
| A1, A4               | VDDLVD5       | Supply | Dedicated power for LVDS pads.  |      |
| B1, C3               | LVDSGND       | Ground | Dedicated GND for LVDS pads.  |      |
| C6, F3               | DGND          | Ground | Digital GND.  |      |
| C7, F6               | AGND          | Ground | Analog GND.   |      |
| E7, E8, D7, D8       | NC            | NC     | No connect.   | 3    |

1. Pin H7 (RSVD) must be tied to GND
2. Output Enable (OE) tri-states signals DOUT0–DOUT9. No other signals are tri-stated with OE.
3. No connect. These pins must be left floating for proper operation.

# MT9V022



NOTE: LVDS signals are to be left floating.

**Figure 3. Typical Configuration (Connection)–Parallel Output Mode**

PIXEL DATA FORMAT

Pixel Array Structure

The MT9V022 pixel array is configured as 782 columns by 492 rows, shown in Figure 4. The left 26 columns and the top eight rows of pixels are optically black and can be used to monitor the black level. The black row data is used internally for the automatic black level adjustment. However, the middle four black rows can also be read out by setting the sensor to raw data output mode. There are 753

columns by 481 rows of optically active pixels. The active area is surrounded with optically transparent dummy columns and rows to improve image uniformity within the active area. One additional active column and active row are used to allow horizontally and vertically mirrored readout to also start on the same color pixel.

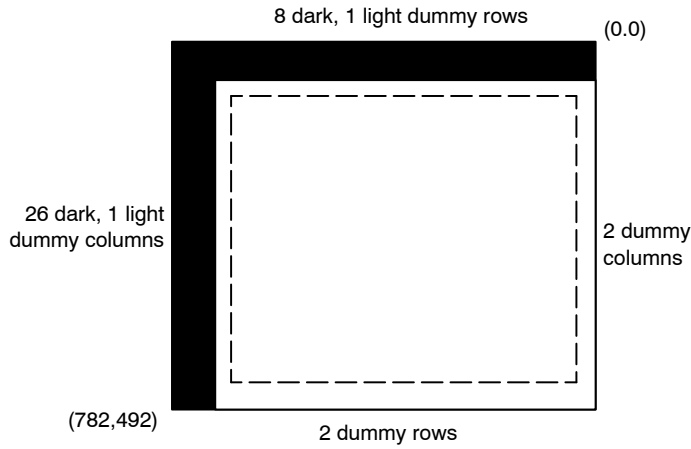


Figure 4. Pixel Array Description

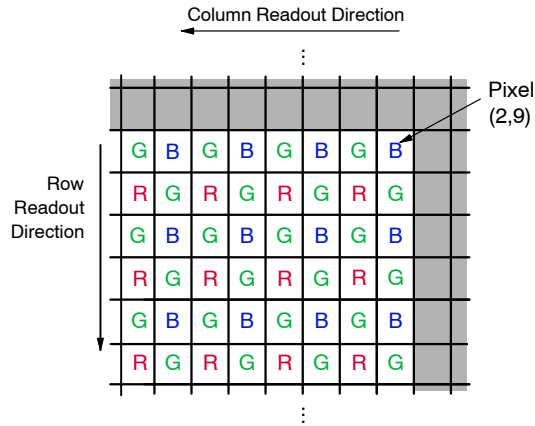


Figure 5. Pixel Color Pattern Detail (Top Right Corner)

**COLOR DEVICE LIMITATIONS**

The color version of the MT9V022 does not support or offers reduced performance for the following functionalities.

**Pixel Binning**

Pixel binning is done on immediate neighbor pixels only, no facility is provided to skip pixels according to a Bayer pattern. Therefore, the result of binning combines pixels of different colors. For more information, see "Pixel Binning".

**Interlaced Readout**

Interlaced readout yields one field consisting only of red and green pixels and another consisting only of blue and green pixels. This is due to the Bayer pattern of the CFA.

**Automatic Black Level Calibration**

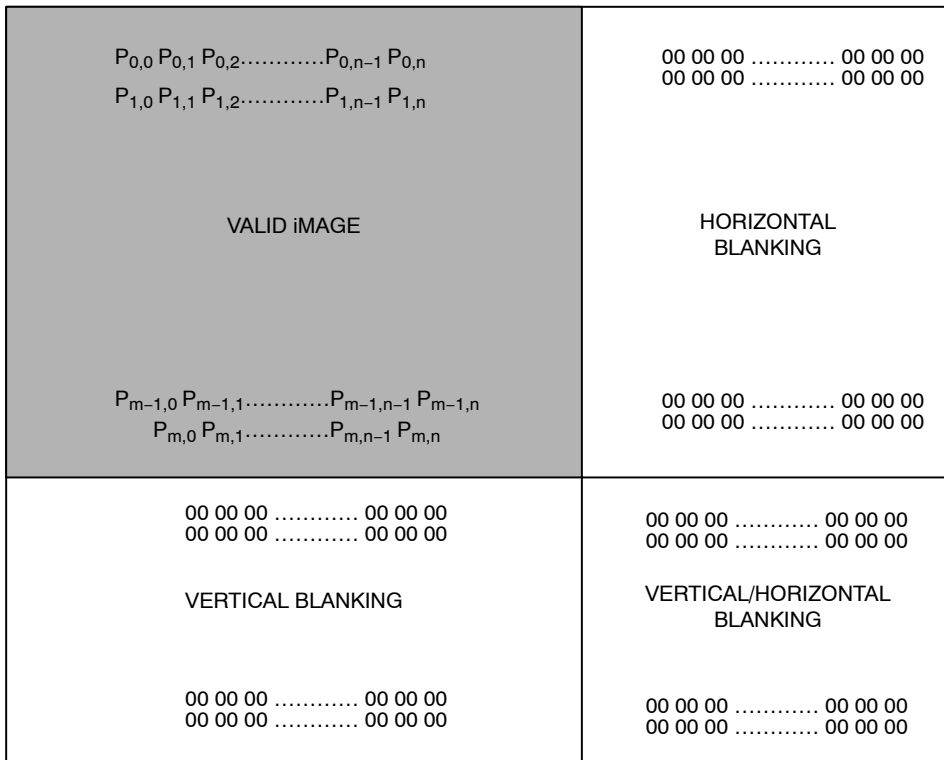
When the color bit is set (R0x0F[2]=1), the sensor uses GREEN1 pixels black level correction value, which is applied to all colors. To use calibration value based on all dark pixels offset values, the color bit should be cleared.

**Other Limiting Factors**

Black level correction and row-wise noise correction are applied uniformly to each color. Automatic exposure and gain control calculations are made based on all three colors, not just the green luma channel. High dynamic range does operate; however, ON Semiconductor strongly recommends limiting use to linear operation if good color fidelity is required.

**OUTPUT DATA FORMAT**

The MT9V022 image data can be read out in a progressive scan or interlaced scan mode. Valid image data is surrounded by horizontal and vertical blanking, as shown in Figure 6. The amount of horizontal and vertical blanking is programmable through R0x05 and R0x06, respectively. LINE\_VALID is HIGH during the shaded region of the figure. See "Output Data Timing" for the description of FRAME\_VALID timing.

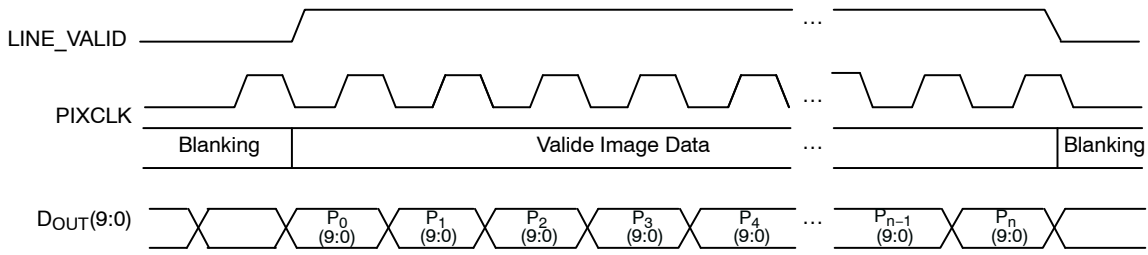


**Figure 6. Spatial Illustration of Image Readout**

**Output Data Timing**

The data output of the MT9V022 is synchronized with the PIXCLK output. When LINE\_VALID is HIGH, one 10-bit pixel datum is output every PIXCLK period.

## MT9V022

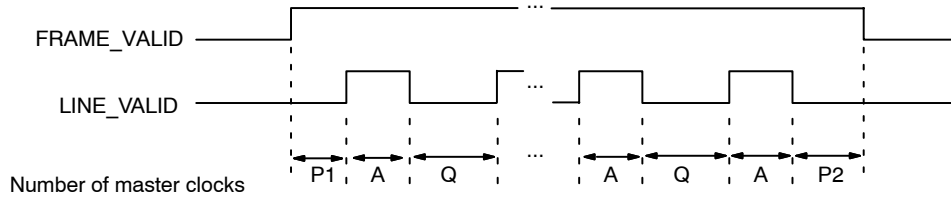


**Figure 7. Timing Example of Pixel Data**

The PIXCLK is a nominally inverted version of the master clock (SYSCLK). This allows PIXCLK to be used as a clock to latch the data. However, when column bin 2 is enabled, the PIXCLK is HIGH for one complete master clock period and then LOW for one complete master clock period; when column bin 4 is enabled, the PIXCLK is HIGH for two

complete master clock periods and then LOW for two complete master clock periods. It is continuously enabled, even during the blanking period. Setting R0x74 bit[4] = 1 causes the MT9V022 to invert the polarity of the PIXCLK.

The parameters P1, A, Q, and P2 in Figure 8 are defined in Table 4.



**Figure 8. Row Timing and FRAME\_VALID/LINE\_VALID Signals**

**Table 4. FRAME TIME**

| Parameter       | Name                 | Equation              | Default Timing at 26.66 MHz                        |
|-----------------|----------------------|-----------------------|--|
| A               | Active data time     | R0x04                 | 752 pixel clocks<br>= 752 master = 28.20μs         |
| P1              | Frame start blanking | R0x05 - 23            | 71 pixel clocks<br>= 71 master = 2.66μs            |
| P2              | Frame end blanking   | 23 (fixed)            | 23 pixel clocks<br>= 23 master = 0.86μs            |
| Q               | Horizontal blanking  | R0x05                 | 94 pixel clocks<br>= 94 master = 3.52μs            |
| A+Q             | Row time             | R0x04 + R0x05         | 846 pixel clocks<br>= 846 master = 31.72μs         |
| V               | Vertical blanking    | (R0x06) × (A + Q) + 4 | 38,074 pixel clocks<br>= 38,074 master = 1.43ms    |
| Nrows × (A + Q) | Frame valid time     | (R0x03) × (A + Q)     | 406,080 pixel clocks<br>= 406,080 master = 15.23ms |
| F               | Total frame time     | V + (Nrows × (A + Q)) | 444,154 pixel clocks<br>= 444,154 master = 16.66ms |

Sensor timing is shown above in terms of pixel clock and master clock cycles (refer to Figure 7). The recommended master clock frequency is 26.66 MHz. The vertical blanking and total frame time equations assume that the number of integration rows (bits 11 through 0 of R0x0B) is less than the number of active rows plus blanking rows minus overhead rows (R0x03 + R0x06 - 2). If this is not the case, the number of integration rows must be used instead to determine the

frame time, as shown in Table 5. In this example it is assumed that R0x0B is programmed with 523 rows. For Simultaneous Mode, if the exposure time register (0x0B) exceeds the total readout time, then vertical blanking is internally extended automatically to adjust for the additional integration exposure time required. This extended value is **not** written back to R0x06 (vertical blanking). R0x06 can be used to adjust frame to frame readout time. This register



does not affect the exposure time but it may extend the readout time.

**Table 5. FRAME TIME – LONG INTEGRATION TIME**

| Parameter | Name   | Equation<br>(Number of Master Clock Cycles) | Default Timing at 26.66 MHz                        |
|-----------|--|---|--|
| V'        | Vertical blanking<br>(long integration time)         | $(R0x0B + 2 - R0x03) \times (A + Q) + 4$    | 38,074 pixel clocks<br>= 38,074 master = 1.43ms    |
| F''       | Total frame time<br>(long integration exposure time) | $(R0x0B + 2) \times (A + Q) + 4$            | 444,154 pixel clocks<br>= 444,154 master = 16.66ms |

4. The MT9V022 uses column parallel analog-to-digital converters, thus short row timing is not possible. The minimum total row time is 660 columns (horizontal width + horizontal blanking). The minimum horizontal blanking is 43. When the window width is set below 617, horizontal blanking must be increased. The frame rate will not increase for row times less than 660 columns.

**SERIAL BUS DESCRIPTION**

Registers are written to and read from the MT9V022 through the two-wire serial interface bus. The MT9V022 is a serial interface slave with four possible IDs (0x90, 0x98, 0xB0, and 0xB8) determined by the S\_CTRL\_ADR0 and S\_CTRL\_ADR1 input pins. Data is transferred into the MT9V022 and out through the serial data (SDATA) line. The SDATA line is pulled up to VDD off-chip by a 1.5 KΩ resistor. Either the slave or master device can pull the SDATA line down—the serial interface protocol determines which device is allowed to pull the SDATA line down at any given time. The registers are 16-bit wide, and can be accessed through 16- or 8-bit two-wire serial interface sequences.

**Protocol**

The two-wire serial interface defines several different transmission codes, as follows:

- a start bit
- the slave device 8-bit address
- a(n) (no) acknowledge bit
- an 8-bit message
- a stop bit

**Sequence**

A typical read or write sequence begins by the master sending a start bit. After the start bit, the master sends the slave device’s 8-bit address. The last bit of the address determines if the request is a read or a write, where a “0” indicates a write and a “1” indicates a read. The slave device acknowledges its address by sending an acknowledge bit back to the master.

If the request was a write, the master then transfers the 8-bit register address to which a write should take place. The slave sends an acknowledge bit to indicate that the register address has been received. The master then transfers the data eight bits at a time, with the slave sending an acknowledge bit after each eight bits. The MT9V022 uses 16-bit data for its internal registers, thus requiring two 8-bit transfers to

write to one register. After 16 bits are transferred, the register address is automatically incremented, so that the next 16 bits are written to the next register address. The master stops writing by sending a start or stop bit.

A typical read sequence is executed as follows. First the master sends the write mode slave address and 8-bit register address, just as in the write request. The master then sends a start bit and the read mode slave address. The master then clocks out the register data eight bits at a time. The master sends an acknowledge bit after each 8-bit transfer. The register address is auto-incremented after every 16 bits is transferred. The data transfer is stopped when the master sends a no-acknowledge bit. The MT9V022 allows for 8-bit data transfers through the two-wire serial interface by writing (or reading) the most significant 8 bits to the register and then writing (or reading) the least significant 8 bits to R0xF0 (240).

**Bus Idle State**

The bus is idle when both the data and clock lines are HIGH. Control of the bus is initiated with a start bit, and the bus is released with a stop bit. Only the master can generate the start and stop bits.

**Start Bit**

The start bit is defined as a HIGH-to-LOW transition of the data line while the clock line is HIGH.

**Stop Bit**

The stop bit is defined as a LOW-to-HIGH transition of the data line while the clock line is HIGH.

**Slave Address**

The 8-bit address of a two-wire serial interface device consists of 7 bits of address and 1 bit of direction. A “0” in the LSB of the address indicates write mode, and a “1” indicates read mode. As indicated above, the MT9V022 allows four possible slave addresses determined by the two input pins, S\_CTRL\_ADR0 and S\_CTRL\_ADR1.

Table 6. SLAVE ADDRESS MODES

| {S_CTRL_ADR1, S_CTRL_ADR0} | Slave Address | Write/Read Mode |
|----------------------------|---------------|-----------------|
| 00                         | 0x90          | Write           |
|                            | 0x91          | Read            |
| 01                         | 0x98          | Write           |
|                            | 0x99          | Read            |
| 10                         | 0xB0          | Write           |
|                            | 0xB1          | Read            |
| 11                         | 0xB8          | Write           |
|                            | 0xB9          | Read            |

**Data Bit Transfer**

One data bit is transferred during each clock pulse. The two-wire serial interface clock pulse is provided by the master. The data must be stable during the HIGH period of the serial clock—it can only change when the two-wire serial interface clock is LOW. Data is transferred 8 bits at a time, followed by an acknowledge bit.

**Acknowledge Bit**

The master generates the acknowledge clock pulse. The transmitter (which is the master when writing, or the slave when reading) releases the data line, and the receiver indicates an acknowledge bit by pulling the data line LOW during the acknowledge clock pulse.

**No-Acknowledge Bit**

The no-acknowledge bit is generated when the data line is not pulled down by the receiver during the acknowledge

clock pulse. A no-acknowledge bit is used to terminate a read sequence.

**TWO-WIRE SERIAL INTERFACE SAMPLE READ AND WRITE SEQUENCES**

**16-Bit Write Sequence**

A typical write sequence for writing 16 bits to a register is shown in Figure 9. A start bit given by the master, followed by the write address, starts the sequence. The image sensor then gives an acknowledge bit and expects the register address to come first, followed by the 16-bit data. After each 8-bit word is sent, the image sensor gives an acknowledge bit. All 16 bits must be written before the register is updated. After 16 bits are transferred, the register address is automatically incremented, so that the next 16 bits are written to the next register. The master stops writing by sending a start or stop bit.

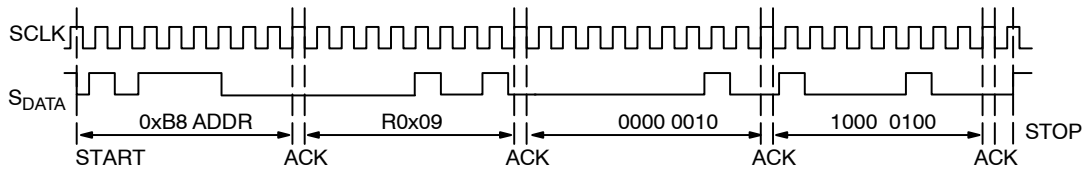


Figure 9. Timing Diagram Showing a Write to R0x09 with Value 0x0284

**16-Bit Read Sequence**

A typical read sequence is shown in Figure 10. First the master has to write the register address, as in a write sequence. Then a start bit and the read address specify that a read is about to happen from the register. The master then

clocks out the register data 8 bits at a time. The master sends an acknowledge bit after each 8-bit transfer. The register address is auto-incremented after every 16 bits is transferred. The data transfer is stopped when the master sends a no-acknowledge bit.

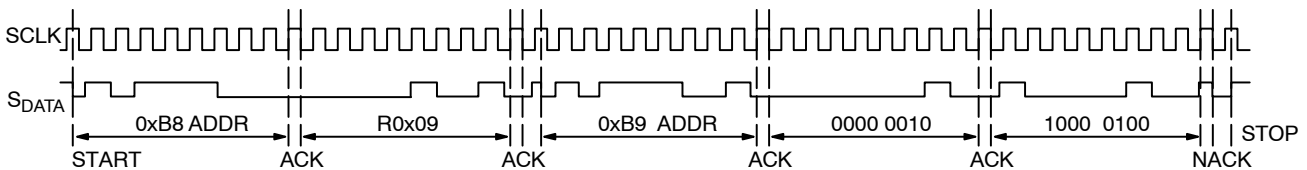


Figure 10. Timing Diagram Showing a Read from R0x09; Returned Value 0x0284

**8–Bit Write Sequence**

To be able to write 1 byte at a time to the register, a special register address is added. The 8–bit write is done by first writing the upper 8 bits to the desired register and then writing the lower 8 bits to the special register address

(R0xF0). The register is not updated until all 16 bits have been written. It is not possible to just update half of a register. In Figure 11, a typical sequence for 8–bit writing is shown. The second byte is written to the special register (R0xF0).

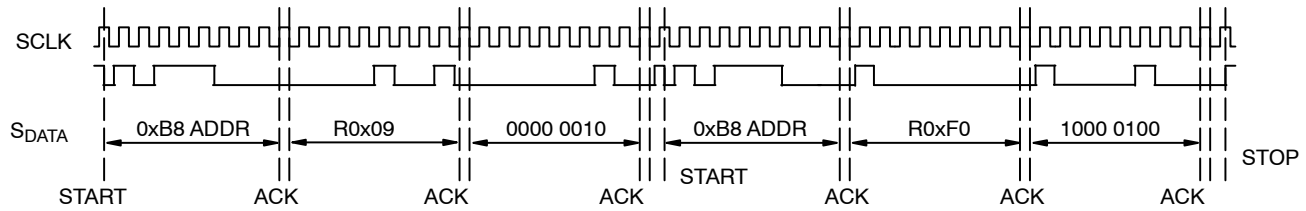


Figure 11. Timing Diagram Showing a Bitwise Write to R0x09 with Value 0x0284

**8–Bit Read Sequence**

To read one byte at a time the same special register address is used for the lower byte. The upper 8 bits are read from the desired register. By following this with a read from the

special register (R0xF1) the lower 8 bits are accessed (Figure 12). The master sets the no–acknowledge bits shown.

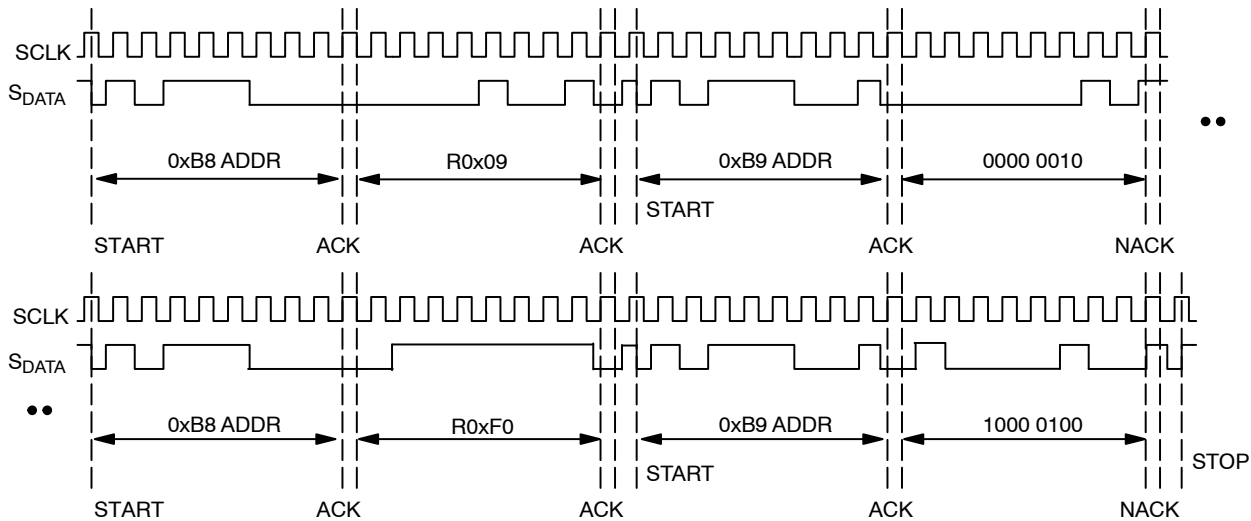


Figure 12. Timing Diagram Showing a Bitwise Read from R0x09; Returned Value 0x0284

**Register Lock**

Included in the MT9V022 is a register lock (R0xFE) feature that can be used as a solution to reduce the probability of an inadvertent noise–triggered two–wire serial interface write to the sensor. All registers (or read mode register–register 13 only) can be locked; it is important to prevent an inadvertent two–wire serial interface write to register 13 in automotive applications since this register controls the image orientation and any unintended flip to an image can cause serious results.

At power–up, the register lock defaults to a value of 0xBEEF, which implies that all registers are unlocked and any two–wire serial interface writes to the register gets committed.

*Lock All Registers*

If a unique pattern (0xDEAD) to R0xFE is programmed, any subsequent two–wire serial interface writes to registers (except R0xFE) are NOT committed. Alternatively, if the user writes a 0xBEEF to the register lock register, all registers are unlocked and any subsequent two–wire serial interface writes to the register are committed.

*Lock Read More Register Only (R0x0D)*

If a unique pattern (0xDEAF) to R0xFE is programmed, any subsequent two–wire serial interface writes to register 13 are NOT committed. Alternatively, if the user writes a 0xBEEF to register lock register, register 13 is unlocked and any subsequent two–wire serial interface writes to this register are committed.

**FEATURE DESCRIPTION**

**Operational Modes**

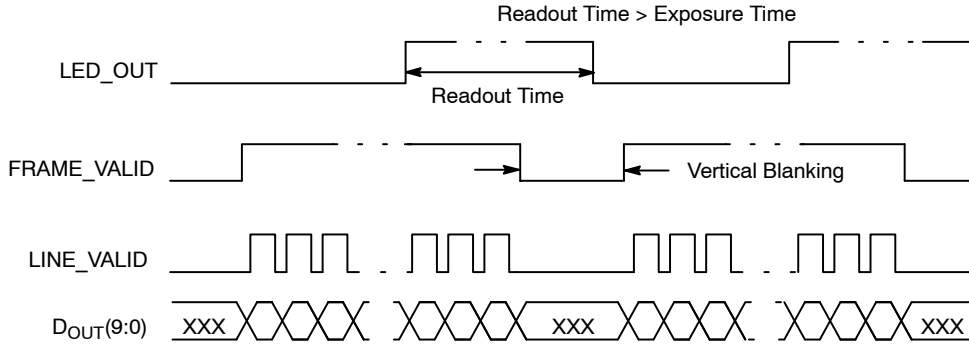
The MT9V022 works in master, snapshot, or slave mode. In master mode the sensor generates the readout timing. In snapshot mode it accepts an external trigger to start integration, then generates the readout timing. In slave mode the sensor accepts both external integration and readout controls. The integration time is programmed through the two-wire serial interface during master or snapshot modes, or controlled via externally generated control signal during slave mode.

*Master Mode*

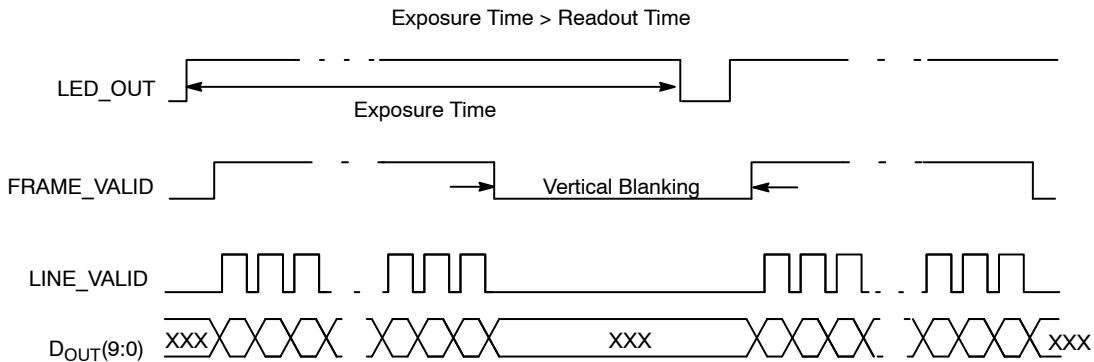
There are two possible operation methods for master mode: simultaneous and sequential. One of these operation modes must be selected via the two-wire serial interface.

*Simultaneous Master Mode*

In simultaneous master mode, the exposure period occurs during readout. The frame synchronization waveforms are shown in Figure 13 and Figure 14. The exposure and readout happen in parallel rather than sequential, making this the fastest mode of operation.



**Figure 13. Simultaneous Master Mode Synchronization Waveforms #1**



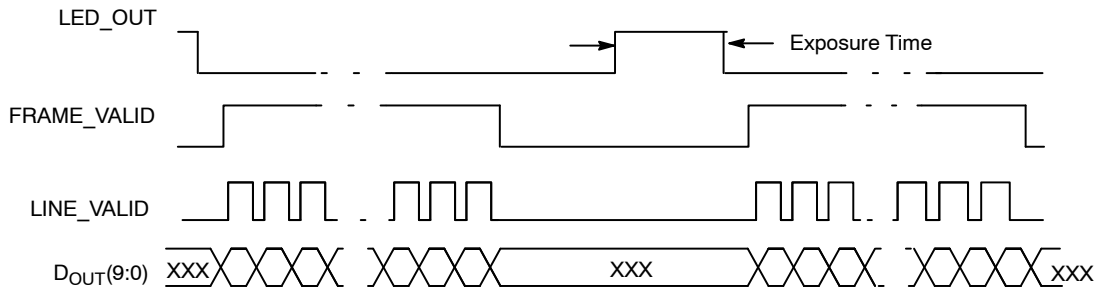
**Figure 14. Simultaneous Master Mode Synchronization Waveforms #2**

When exposure time is greater than the sum of vertical blank and window height, the number of vertical blank rows is increased automatically to accommodate the exposure time.

*Sequential Master Mode*

In sequential master mode the exposure period is followed by readout. The frame synchronization waveforms for sequential master mode are shown in Figure 15. The frame rate changes as the integration time changes.

## MT9V022



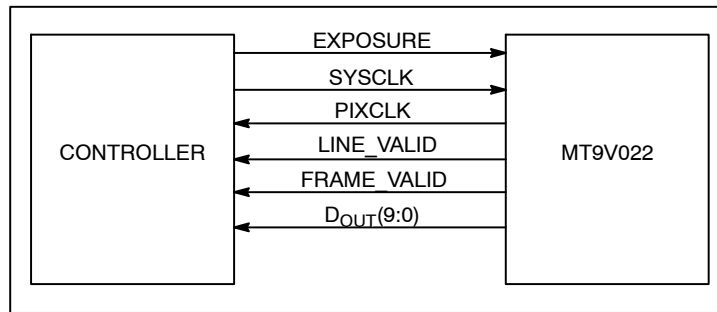
**Figure 15. Sequential Master Mode Synchronization Waveforms**

### Snapshot Mode

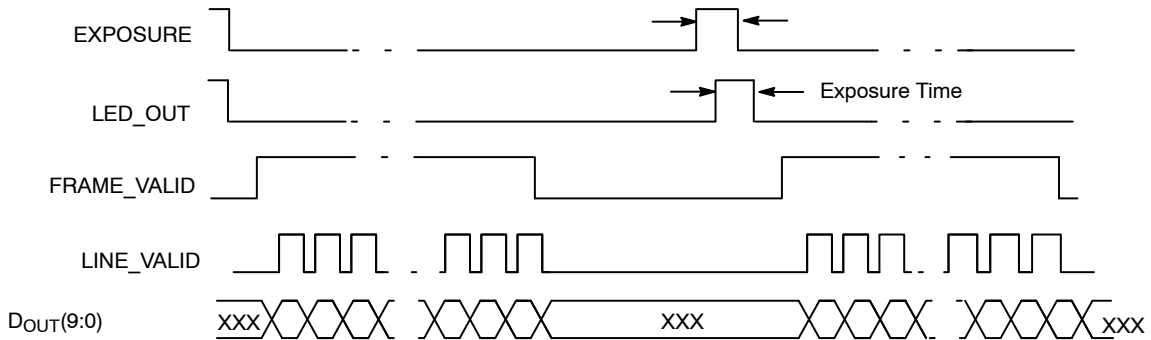
In snapshot mode the sensor accepts an input trigger signal which initiates exposure, and is immediately followed by readout. Figure 16. shows the interface signals used in snapshot mode. In snapshot mode, the start of the integration period is determined by the externally applied EXPOSURE pulse that is input to the MT9V022. The integration time is preprogrammed via the two-wire serial

interface on R0x0B. After the frame's integration period is complete the readout process commences and the syncs and data are output. Sensor in snapshot mode can capture a single image or a sequence of images.

The frame rate may only be controlled by changing the period of the user supplied EXPOSURE pulse train. The frame synchronization waveforms for snapshot mode are shown in Figure 17.



**Figure 16. Snapshot Mode Interface Signals**



**Figure 17. Snapshot Mode Frame Synchronization Waveforms**

**Slave Mode**

In slave mode, the exposure and readout are controlled using the EXPOSURE, STFRM\_OUT, and STLN\_OUT pins. When the slave mode is enabled, STFRM\_OUT and STLN\_OUT become input pins.

The start and end of integration are controlled by EXPOSURE and STFRM\_OUT pulses, respectively. While a STFRM\_OUT pulse is used to stop integration, it is also used to enable the readout process.

After integration is stopped, the user provides STLN\_OUT pulses to trigger row readout. A full row of data is read out with each STLN\_OUT pulse. The user must

provide enough time between successive STLN\_OUT pulses to allow the complete readout of one row.

It is also important to provide additional STLN\_OUT pulses to allow the sensors to read the vertical blanking rows. It is recommended that the user program the vertical blank register (R0x06) with a value of 4, and achieve additional vertical blanking between frames by delaying the application of the STFRM\_OUT pulse.

The elapsed time between the rising edge of STLN\_OUT and the first valid pixel data is [horizontal blanking register (R0x05) + 4] clock cycles.

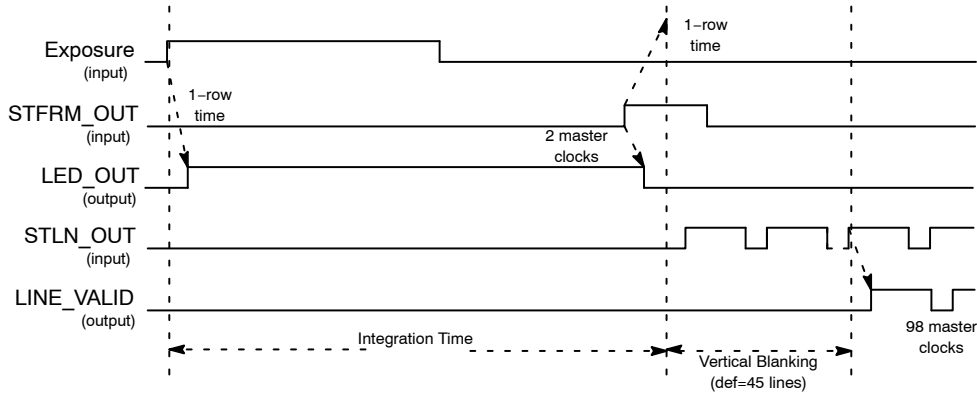


Figure 18. Slave Mode Operation

**Signal Path**

The MT9V022 signal path consists of a programmable gain, a programmable analog offset, and a 10-bit ADC. See

“Black Level Calibration” for the programmable offset operation description.

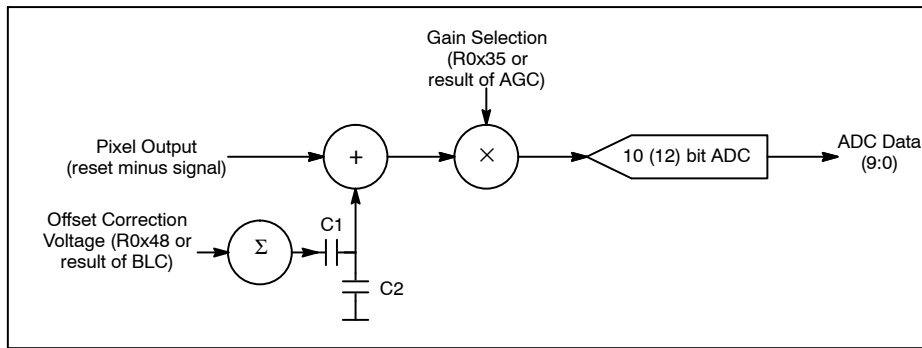


Figure 19. Signal Path

**On-Chip Biases**

*ADC Voltage Reference*

The ADC voltage reference is programmed through R0x2C, bits 2:0. The ADC reference ranges from 1.0 V to 2.1 V. The default value is 1.4 V. The increment size of the voltage reference is 0.1 V from 1.0 V to 1.6 V (R0x2C[2:0] values 0 to 6). At R0x2C[2:0] = 7, the reference voltage jumps to 2.1 V.

The effect of the ADC calibration does not scale with VREF. Instead it is a fixed value relative to the output of the

analog gain stage. At default, one LSB of calibration equals two LSB in output data ( $1\text{LSB}_{\text{Offset}} = 2\text{ mV}$ ,  $1\text{LSB}_{\text{ADC}} = 1\text{ mV}$ ).

It is very important to preserve the correct values of the other bits in R0x2C. The default register setting is 0x0004.

*V\_Step Voltage Reference*

This voltage is used for pixel high dynamic range operations, programmable from R0x31 through R0x34.

*Chip Version*

Chip version registers R0x00 and R0xFF are read-only.

**Window Control**

Registers R0x01 column start, R0x02 Row Start, R0x03 window height (row size), and R0x04 Window Width (column size) control the size and starting coordinates of the window.

The values programmed in the window height and width registers are the exact window height and width out of the sensor. The window start value should never be set below four.

To read out the dark rows set bit 6 of R0x0D. In addition, bit 7 of R0x0D can be used to display the dark columns in the image.

**Blanking Control**

Horizontal blanking and vertical blanking registers R0x05 and R0x06 respectively control the blanking time in a row (horizontal blanking) and between frames (vertical blanking).

- Horizontal blanking is specified in terms of pixel clocks.
- Vertical blanking is specified in terms of numbers of rows.

The actual imager timing can be calculated using Table 4 and Table 5 which describe “Row Timing and FRAME\_VALID/LINE\_VALID signals.” The minimum number of vertical blank rows is 4.

**Pixel Integration Control**

*Total Integration*

*R0x0B Total Shutter Width (In Terms of Number of Rows)*

This register (along with the window width and horizontal blanking registers) controls the integration time for the pixels.

The actual total integration time, tINT, is:

$$tINT = (\text{Number of rows of integration} \times \text{row time}) + \text{Overhead, where:}$$

The number of rows integration is equal to the result of automatic exposure control (AEC) which may vary from frame to frame, or, if AEC is disabled, the value in R0x0B  
 Row time = (R0x04 + R0x05) master clock periods

$$\text{Overhead} = (\text{R0x04} + \text{R0x05} - 255) \text{ master clock periods}$$

Typically, the value of R0x0B (total shutter width) is limited to the number of rows per frame (which includes

vertical blanking rows), such that the frame rate is not affected by the integration time. If R0x0B is increased beyond the total number of rows per frame, it is required to add additional blanking rows using R0x06 as needed. A second constraint is that tINT must be adjusted to avoid banding in the image from light flicker. Under 60 Hz flicker, this means frame time must be a multiple of 1/120 of a second. Under 50 Hz flicker, frame time must be a multiple of 1/100 of a second.

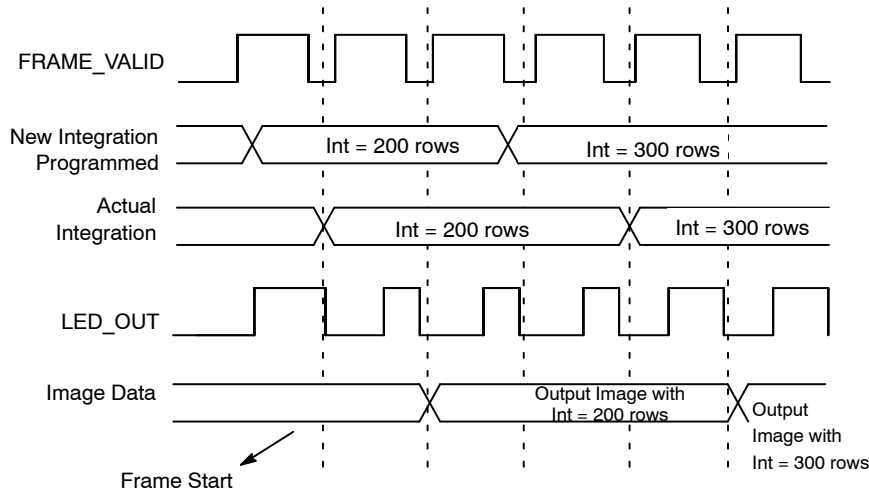
*Changes to Integration Time*

With automatic exposure control disabled (R0xAF, bit 0 is cleared to LOW), and if the total integration time (R0x0B) is changed via the two-wire serial interface while FRAME\_VALID is asserted for frame *n*, the first frame output using the new integration time is frame (*n* + 2). Similarly, when automatic exposure control is enabled, any change to the integration time for frame *n* first appears in frame (*n* + 2) output.

The sequence is as follows:

1. During frame *n*, the new integration time is held in the R0x0B live register.
2. At the start of frame (*n* + 1), the new integration time is transferred to the exposure control module. Integration for each row of frame (*n* + 1) has been completed using the old integration time. The earliest time that a row can start integrating using the new integration time is immediately after that row has been read for frame (*n* + 1). The actual time that rows start integrating using the new integration time is dependent on the new value of the integration time.
3. When frame (*n* + 1) is read out, it is integrated using the new integration time. If the integration time is changed (R0x0B written) on successive frames, each value written is applied to a single frame; the latency between writing a value and it affecting the frame readout remains at two frames. However, when automatic exposure control is disabled, if the integration time is changed through the two-wire serial interface after the falling edge of FRAME\_VALID for frame *n*, the first frame output using the new integration time becomes frame (*n* + 3).

# MT9V022



**Figure 20. Latency When Changing Integration**

## Exposure Indicator

The exposure indicator is controlled by:

- R0x1B LED\_OUT Control

The MT9V022 provides an output pin, LED\_OUT, to indicate when the exposure takes place. When R0x1B bit 0 is clear, LED\_OUT is HIGH during exposure. By using R0x1B, bit 1, the polarity of the LED\_OUT pin can be inverted.

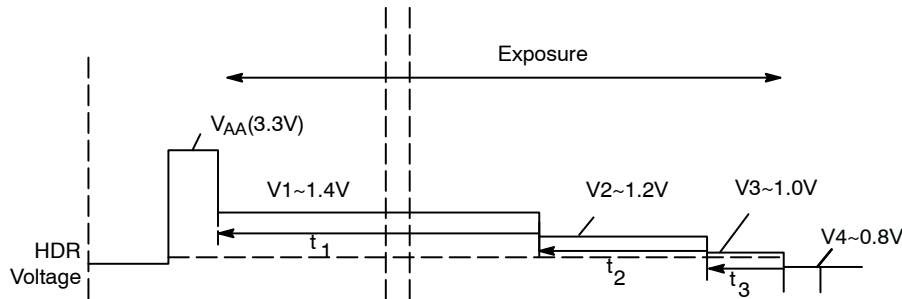
## High Dynamic Range

High dynamic range is controlled by:

- R0x08 Shutter Width 1
- R0x09 Shutter Width 2

- R0x0A Shutter Width Control
- R0x31–R0x34 V\_Step Voltages

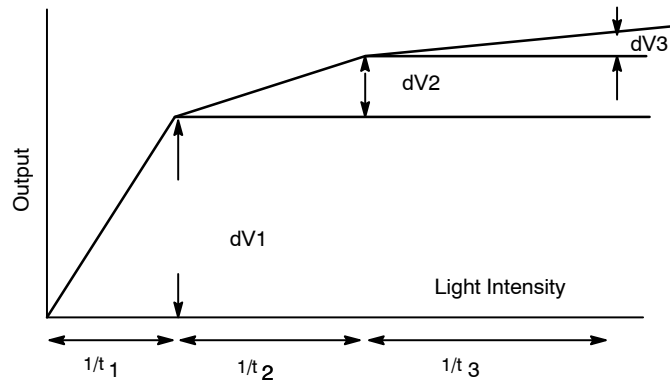
In the MT9V022, high dynamic range (that is, R0x0F, bit 6 = 1) is achieved by controlling the saturation level of the pixel (HDR or high dynamic range gate) during the exposure period. The sequence of the control voltages at the HDR gate is shown in Figure 21. After the pixels are reset, the step voltage, V\_Step, which is applied to HDR gate, is setup at V1 for integration time  $t_1$  then to V2 for time  $t_2$ , then V3 for time  $t_3$ , and finally it is parked at V4, which also serves as an antiblooming voltage for the photodetector. This sequence of voltages leads to a piecewise linear pixel response, illustrated (in approximates) in Figure 21.



**Figure 21. Sequence of Control Voltages at the HDR Gate**



## MT9V022



**Figure 22. Sequence of Voltages in a Piecewise Linear Pixel Response**

The parameters of the step voltage  $V\_Step$  which takes values  $V1$ ,  $V2$ , and  $V3$  directly affect the position of the knee points in Figure 22.

Light intensities work approximately as a reciprocal of the partial exposure time. Typically,  $t_1$  is the longest exposure,  $t_2$  shorter, and so on. Thus the range of light intensities is shortest for the first slope, providing the highest sensitivity.

The register settings for  $V\_Step$  and partial exposures are:

$$V1 = R0x31, \text{ bits } 4:0$$

$$V2 = R0x32, \text{ bits } 4:0$$

$$V3 = R0x33, \text{ bits } 4:0$$

$$V4 = R0x34, \text{ bits } 4:0$$

$$T_{INT} = t_1 + t_2 + t_3$$

There are two ways to specify the knee points timing, the first by manual setting (default) and the second by automatic knee point adjustment.

When the auto adjust enabler is set to HIGH (LOW by default), the MT9V022 calculates the knee points automatically using the following equations:

$$t_1 = t_{INT} - t_2 - t_3 \quad (\text{eq. 1})$$

$$t_2 = t_{INT} \times (1/2)^{R0x0A, \text{ bits } 3:0} \quad (\text{eq. 2})$$

$$t_3 = t_{INT} \times (1/2)^{R0x0A, \text{ bits } 7:4} \quad (\text{eq. 3})$$

As a default for auto exposure,  $t_2$  is 1/16 of  $t_{INT}$ ,  $t_3$  is 1/64 of  $t_{INT}$ .

When the auto adjust enabler is disabled (default),  $t_1$ ,  $t_2$ , and  $t_3$  may be programmed through the two-wire serial interface:

$$t_1 = R0x08, \text{ bits } 14 : 0 \quad (\text{eq. 4})$$

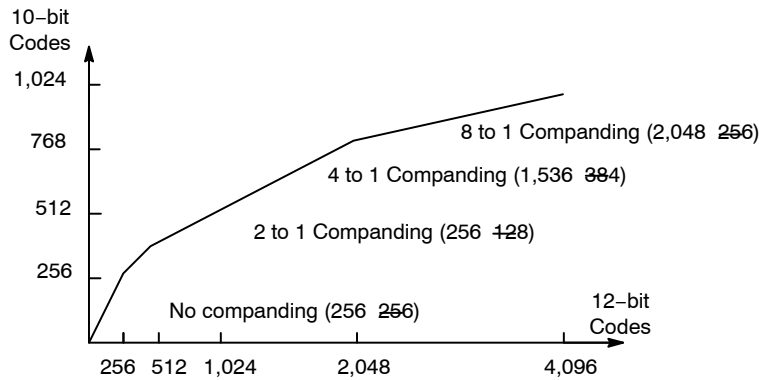
$$t_2 = (R0x09, \text{ bits } 14 : 0) - (R0x08, \text{ bits } 14 : 0) \quad (\text{eq. 5})$$

$$t_3 = t_{INT} - t_1 - t_2 \quad (\text{eq. 6})$$

$t_{INT}$  may be based on the manual setting of  $R0x0B$  or the result of the AEC. If the AEC is enabled then the auto knee adjust must also be enabled.

### Variable ADC Resolution

By default, ADC resolution of the sensor is 10-bit. Additionally, a companding scheme of 12-bit into 10-bit is enabled by the  $R0x1C$  (28). This mode allows higher ADC resolution which means less quantization noise at low-light, and lower resolution at high light, where good ADC quantization is not so critical because of the high level of the photon's shot noise.



**Figure 23. 12-to 10-Bit Companding Chart**

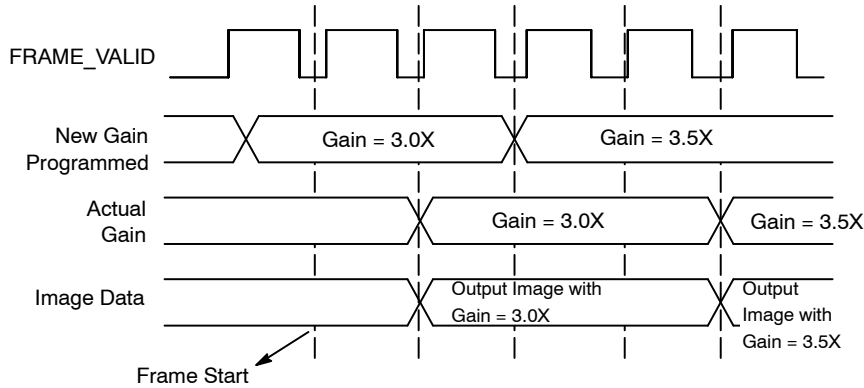
**GAIN SETTINGS**

**Changes to Gain Settings**

When the digital gain settings (R0x80–R0x98) are changed, the gain is updated on the next frame start. However, the latency for an analog gain change to take effect depends on the automatic gain control.

If automatic gain control is enabled (R0xAF, bit 1 is set to HIGH), the gain changed for frame  $n$  first appears in frame  $(n + 1)$ ; if the automatic gain control is disabled, the gain changed for frame  $n$  first appears in frame  $(n + 2)$ .

Both analog and digital gain change regardless of whether the integration time is also changed simultaneously.



**Figure 24. Latency of Analog Gain Change When AGC Is Disabled**

**Analog Gain**

Analog gain is controlled by:

- R0x35 Global Gain

The formula for gain setting is:

$$\text{Gain} = \text{Bits}[6 : 0] \times 0.0625 \quad (\text{eq. 7})$$

The analog gain range supported in the MT9V022 is 1X–4X with a step size of 6.25 percent. To control gain manually with this register, the sensor must NOT be in AGC mode. When adjusting the luminosity of an image, it is recommended to alter exposure first and yield to gain increases only when the exposure value has reached a maximum limit.

$$\text{Analog gain} = \text{bits}(6 : 0) \times 0.0625 \text{ for values } 16 - 31$$

$$\text{Analog gain} = \text{bits}(6 : 0) / 2 \times 0.125 \text{ for values } 32 - 64$$

For values 16–31: each LSB increases analog gain 0.0625v/v. A value of 16 = 1X gain. Range: 1X to 1.9375X.

For values 32–64: each 2 LSB increases analog gain 0.125v/v (that is, double the gain increase for 2 LSB). Range: 2X to 4X. Odd values do not result in gain increases; the gain increases by 0.125 for values 32, 34, 36, and so on.

Digital gain is controlled by:

- R0x99–R0xA4 Tile Coordinates
- R0x80–R0x98 Tiled Digital Gain and Weight

In the MT9V022, the image may be divided into 25 tiles, as shown in Figure 25, through the two-wire serial interface, and apply digital gain individually to each tile.

# MT9V022

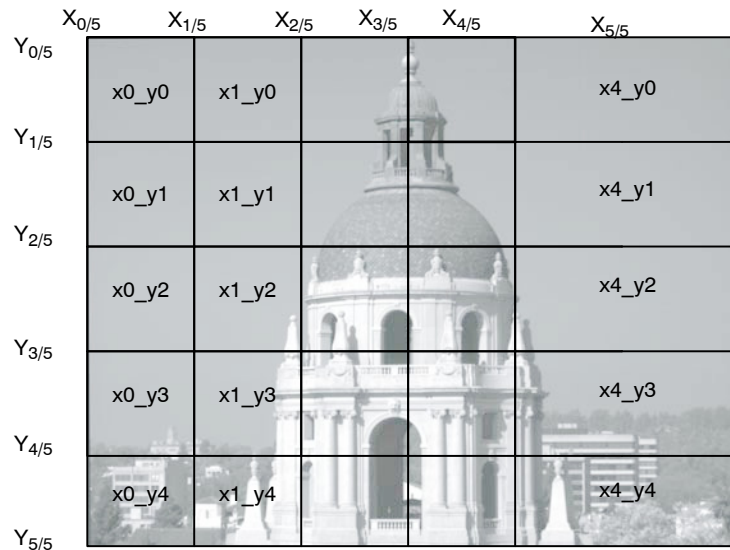


Figure 25. Tiled Sample

Registers 0x99–0x9E and 0x9F–0xA4 represent the coordinates X<sub>0/5</sub>–X<sub>5/5</sub> and Y<sub>0/5</sub>–Y<sub>5/5</sub> in Figure 25, respectively.

Digital gains of registers 0x80–0x98 apply to their corresponding tiles. The MT9V022 supports a digital gain of 0.25–3.75X.

The formula for digital gain setting is:

$$\text{Digital Gain} = \text{Bits}[3 : 0] \times 0.25 \quad (\text{eq. 8})$$

## Black Level Calibration

Black level calibration is controlled by:

- R0x4C
- R0x42
- R0x46–R0x48

The MT9V022 has automatic black level calibration on–chip, and if enabled, its result may be used in the offset correction shown in Figure 26.

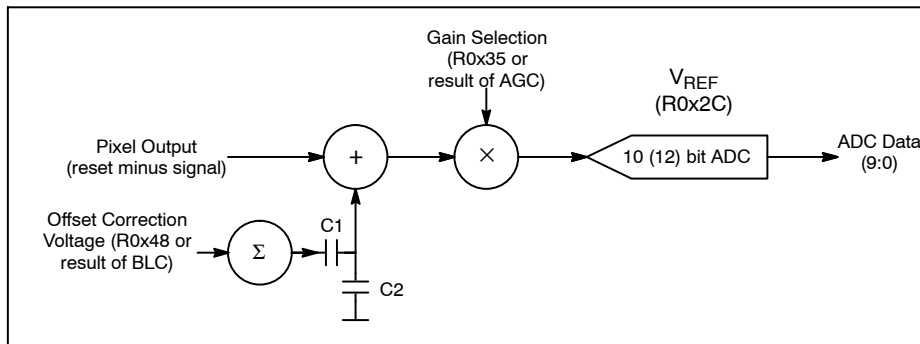


Figure 26. Black Level Calibration Flow Chart

The automatic black level calibration measures the average value of pixels from 2 dark rows (1 dark row if row bin 4 is enabled) of the chip. (The pixels are averaged as if they were light–sensitive and passed through the appropriate gain.)

This row average is then digitally low–pass filtered over many frames (R0x47, bits 7:5) to remove temporal noise and random instabilities associated with this measurement.

Then, the new filtered average is compared to a minimum acceptable level, low threshold, and a maximum acceptable level, high threshold.

If the average is lower than the minimum acceptable level, the offset correction voltage is increased by a programmable

offset LSB in R0x4C. (Default step size is 2 LSB Offset = 1 ADC LSB at analog gain = 1X.)

If it is above the maximum level, the offset correction voltage is decreased by 2 LSB (default).

To avoid oscillation of the black level from below to above, the region the thresholds should be programmed so the difference is at least two times the offset DAC step size.

In normal operation, the black level calibration value/offset correction value is calculated at the beginning of each frame and can be read through the two–wire serial interface from R0x48. This register is an 8–bit signed two’s complement value.

However, if R0x47, bit 0 is set to “1,” the calibration value in R0x48 may be manually set to override the automatic black level calculation result. This feature can be used in

conjunction with the “show dark rows” feature (R0x0D, bit 6) if using an external black level calibration circuit.

The offset correction voltage is generated according to the following formulas:

$$\text{Offset Correction Voltage} = (8 - \text{bit signed two's complement calibration value}, -127 \text{ to } 127) \times 0.5\text{mV} \quad (\text{eq. } 9)$$

$$\text{ADC input voltage} = (\text{Pixel Output Voltage} + \text{Offset Correction Voltage}) \times \text{Analog Gain} \quad (\text{eq. } 10)$$

**Row-wise Noise Correction**

Row-wise noise correction is controlled by the following registers:

- R0x70 Row Noise Control
- R0x72 Row Noise Constant
- R0x73 Dark Column Start

When the row-wise noise cancellation algorithm is enabled, the average value of the dark columns read out is used as a correction for the whole row. The row-wise

correction is in addition to the general black level correction applied to the whole sensor frame and cannot be used to replace the latter. The dark average is subtracted from each pixel belonging to the same row, and then a positive constant is added (R0x72, bits 7:0). This constant should be set to the dark level targeted by the black level algorithm plus the noise expected on the measurements of the averaged values from dark columns; it is meant to prevent clipping from negative noise fluctuations.

$$\text{Pixel value} = \text{ADC value} - \text{dark column average} + \text{row noise constant} \quad (\text{eq. } 11)$$

On a per-row basis, the dark column average is calculated from a programmable number of dark columns (pixels) values (R0x70, bits 3:0). The default is 10 dark columns. Of these, the maximum and minimum values are removed and then the average is calculated. If R0x70, bits 3:0 are set to “0” (2 pixels), it is essentially equivalent to disabling the dark average calculation since the average is equal to “0” after the maximum and minimum values are removed.

R0x73 is used to indicate the starting column address of dark pixels which row-noise correction algorithm uses for calculation. In the MT9V022, dark columns which may be used are 759–776. R0x73 is used to select the starting column for the calculation.

One additional note in setting the row-noise correction register:

$$777 < (\text{R0x73, bits9 : 0}) + \text{number of dark pixels programmed in R0x70, bits 3 : 0} - 1 \quad (\text{eq. } 12)$$

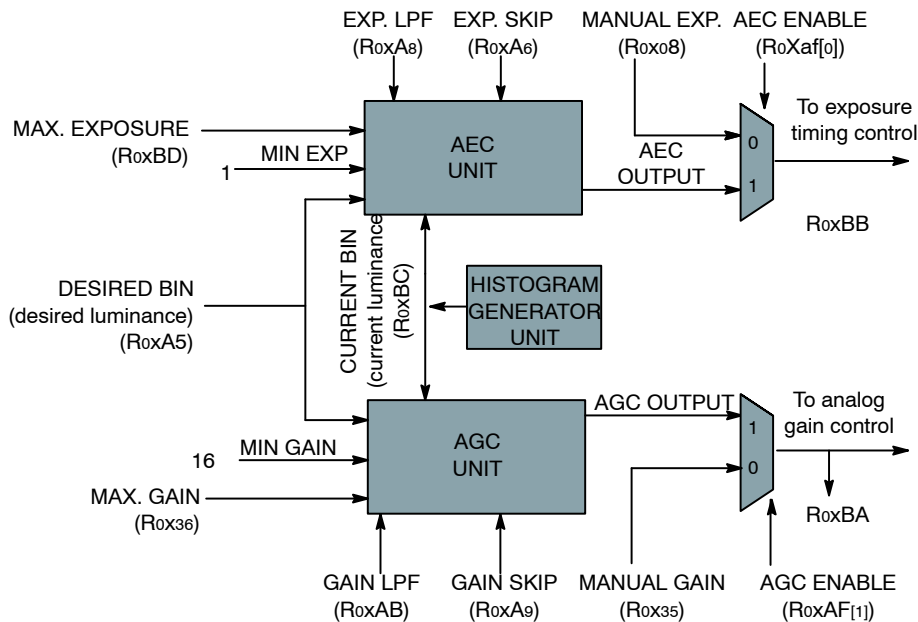
This is to ensure the column pointer does not go beyond the limit the MT9V022 can support.

**Automatic Gain Control and Automatic Exposure Control**

The integrated AEC/AGC unit is responsible for ensuring that optimal auto settings of exposure and (analog) gain are computed and updated every frame.

AEC and AGC can be individually enabled or disabled by R0xAF. When AEC is disabled (R0xAF[0] = 0), the sensor uses the manual exposure value in R0x0B. When AGC is disabled (R0xAF[1] = 0), the sensor uses the manual gain value in R0x35. See “MT9V022 AEC and AGC Functions,” for further details.

## MT9V022



**Figure 27. Controllable and Observable AEC/AGC Registers**

The exposure is measured in row-time by reading R0xBB. The exposure range is 1 to 2047. The gain is measured in gain-units by reading R0xBA. The gain range is 16 to 63 (unity gain = 16 gain-units; multiply by 1/16 to get the true gain).

When AEC is enabled (R0xAF[0] = 1), the maximum auto exposure value is limited by R0xBD; minimum auto exposure is fixed at 1 row.

When AGC is enabled (R0xAF[1] = 1), the maximum auto gain value is limited by R0x36; minimum auto gain is fixed to 16 gain-units.

The exposure control measures current scene luminosity and desired output luminosity by accumulating a histogram of pixel values while reading out a frame. The desired exposure and gain are then calculated from this for subsequent frame.

### Pixel Clock Speed

The pixel clock speed is same as the master clock (SYSCLK) at 26.66 MHz by default. However, when column binning 2 or 4 (R0x0D, bit 2 or 3) is enabled, the pixel clock speed is reduced by half and one-fourth of the master clock speed respectively. See “Read More Options” and “Column Binning” for additional information.

### Hard Rest of Logic

The RC circuit for the MT9V022 uses a 10k $\Omega$  resistor and a 0.1  $\mu$ F capacitor. The rise time for the RC circuit is 1  $\mu$ s maximum.

### Soft Rest of Logic

Soft reset of logic is controlled by:

- R0x0C Reset

Bit 0 is used to reset the digital logic of the sensor while preserving the existing two-wire serial interface

configuration. Furthermore, by asserting the soft reset, the sensor aborts the current frame it is processing and starts a new frame. Bit 1 is a shadowed reset control register bit to explicitly reset the automatic gain and exposure control feature.

These two bits are self-resetting bits and also return to “0” during two-wire serial interface reads.

### STANDBY Control

The sensor goes into standby mode by setting STANDBY to HIGH. Once the sensor detects that STANDBY is asserted, it completes the current frame before disabling the digital logic, internal clocks, and analog power enable signal. To release the sensor out from the standby mode, reset STANDBY back to LOW. The LVDS must be powered to ensure that the device is in standby mode. See “Appendix B – Power-On”.

“Reset and Standby Timing” for more information on standby.

### Monitor Mode Control

Monitor mode is controlled by:

- R0x0E Monitor Mode Enable
- R0xC0 Monitor Mode Image Capture Control

The sensor goes into monitor mode when R0x0E bit 0 is set to HIGH. In this mode, the sensor first captures a programmable number of frames (R0xC0), then goes into a sleep period for five minutes. The cycle of sleeping for five minutes and waking up to capture a number of frames continues until R0x0E bit 0 is cleared to return to normal operation.

In some applications when monitor mode is enabled, the purpose of capturing frames is to calibrate the gain and exposure of the scene using automatic gain and exposure

## MT9V022

control feature. This feature typically takes less than 10 frames to settle. In case a larger number of frames is needed, the value of R0xC0 may be increased to capture more frames.

During the sleep period, none of the analog circuitry and a very small fraction of digital logic (including a five-minute timer) is powered. The master clock (SYSCLK) is therefore always required.

### Read More Options

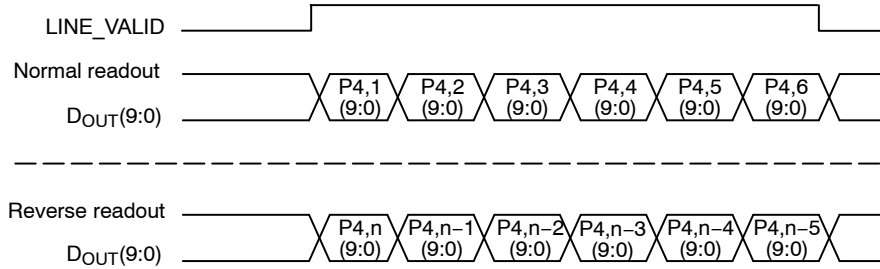
(Also see “Output Data Format” and “Output Data Timing”.)

### Column Flip

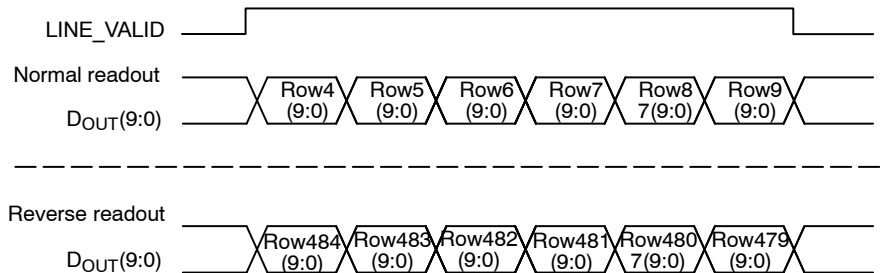
By setting bit 5 of R0x0D the readout order of the columns is reversed, as shown in Figure 28.

### Row Flip

By setting bit 4 of R0x0D the readout order of the rows is reversed, as shown in Figure 29.



**Figure 28. Readout of Six Pixels in Normal and Column Flip Output Mode**



**Figure 29. Readout of Six Rows in Normal and Row Flip Output Mode**

### Pixel Binning

In addition to windowing mode in which smaller resolution (CIF, QCIF) is obtained by selecting small window from the sensor array, the MT9V022 also provides the ability to show the entire image captured by pixel array with smaller resolution by pixel binning. Pixel binning is based on combining signals from adjacent pixels by averaging. There are two options: binning 2 and binning 4. When binning 2 is on, 4 pixel signals from 2 adjacent rows and columns are combined. In binning 4 mode, 16 pixels are combined from 4 adjacent rows and columns. The image mode may work in conjunction with image flip. The binning operation increases SNR but decreases resolution.

Enabling row bin2 and row bin4 improves frame rate by 2x and 4x respectively. The feature of column binning does not increase the frame rate in less resolution modes.

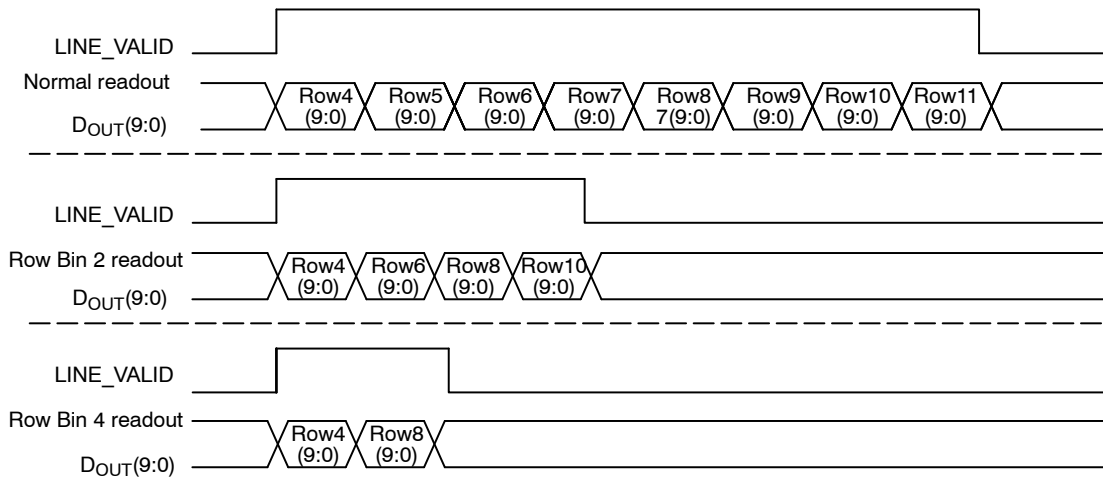
### Row Binning

By setting bit 0 or 1 of R0x0D, only half or one-fourth of the row set is read out, as shown in figure below. The number of rows read out is half or one-fourth of what is set in R0x03.

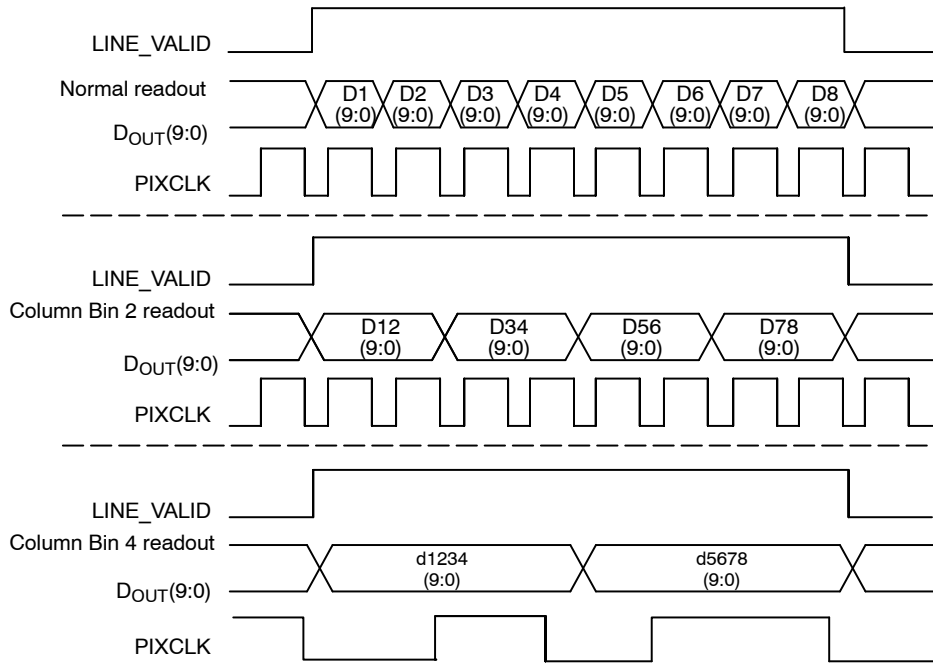
### Column Binning

In setting bit 2 or 3 of R0x0D, the pixel data rate is slowed down by a factor of either two or four, respectively. This is due to the overhead time in the digital pixel data processing chain. As a result, the pixel clock speed is also reduced accordingly.

## MT9V022



**Figure 30. Readout of 8 Pixels in Normal and Row Bin Output Mode**



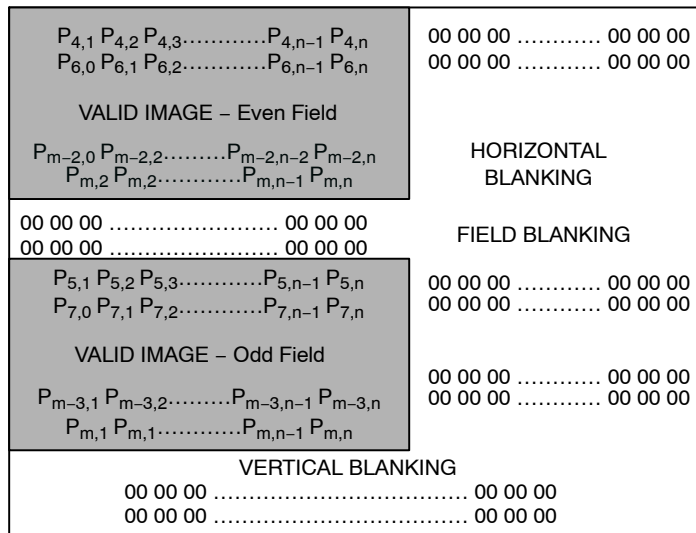
**Figure 31. Readout of 8 Pixels in Normal and Column Bin Output Mode**

### Interlaced Readout

The MT9V022 has two interlaced readout options. By setting `R0x07[2:0] = 1`, all the even-numbered rows are read out first, followed by a number of programmable field blanking (`R0xBF`, bits 7:0), and then the odd-numbered rows and finally vertical blanking (minimum is 4 blanking

rows). By setting `R0x07[2:0] = 2`, only one field is read out; consequently, the number of rows read out is half what is set in `R0x03`. The row start address (`R0x02`) determines which field gets read out; if the row start address is even, the even field is read out; if row start address is odd, the odd field is read out.

# MT9V022



**Figure 32. Spatial Illustration of Interlaced Image Readout**

When interlaced mode is enabled, the total number of blanking rows are determined by both field blanking register

(R0xBF) and vertical blanking register (R0x06). The followings are their equations.

$$\text{Field Blanking} = R0xBF, \text{ bits } 7 : 0 \tag{eq. 13}$$

$$\text{Vertical Blanking} = R0x06, \text{ bits } 8 : 0 - R0xBF, \text{ bits } 7 : 0 \tag{eq. 14}$$

With

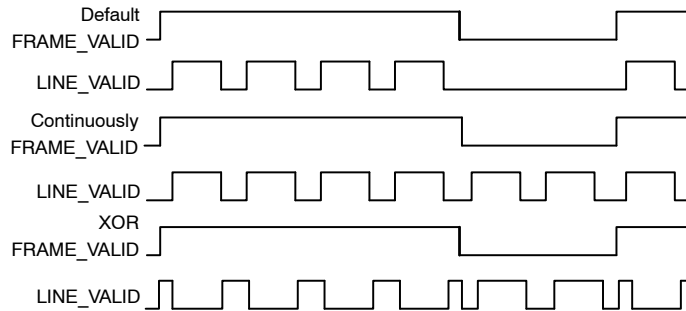
$$\text{minimum vertical blanking requirement} = 4 \tag{eq. 15}$$

Similar to progressive scan, FRAME\_VALID is logic LOW during the valid image row only. Binning should not be used in conjunction with interlaced mode.

reading out four rows and two vertical blanking rows are shown in Figure 33. In the last format, the LINE\_VALID signal is the XOR between the continuous LINE\_VALID signal and the FRAME\_VALID signal.

### LINE\_VALID

By setting bit 2 and 3 of R0x74 the LINE\_VALID signal can get three different output formats. The formats for



**Figure 33. Different LINE\_VALID Formats**

### LVDS Serial (Stand-Alone/Stereo) Output

The LVDS interface allows for the streaming of sensor data serially to a standard off-the-shelf deserializer up to five meters away from the sensor. The pixels (and controls) are packeted-12-bit packets for stand-alone mode and 18-bit packets for stereoscopy mode. All serial signalling (CLK and data) is LVDS. The LVDS serial output could either be data from a single sensor (stand-alone) or

stream-merged data from two sensors (self and its stereoscopic slave pair). The appendices describe in detail the topologies for both stand-alone and stereoscopic modes.

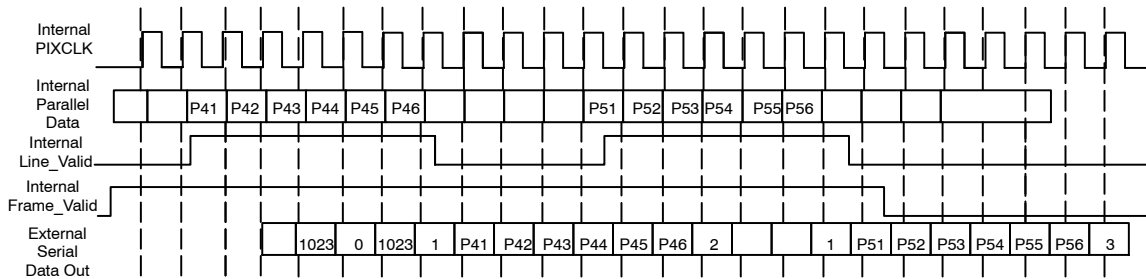
There are two standard deserializers that can be used. One for a stand-alone sensor stream and the other from a stereoscopic stream. The deserializer attached to a stand-alone sensor is able to reproduce the standard parallel output (8-bit pixel data, LINE\_VALID, FRAME\_VALID and



PIXCLK). The deserializer attached to a stereoscopic sensor is able to reproduce 8-bit pixel data from each sensor (with embedded LINE\_VALID and FRAME\_VALID) and pixel-clk. An additional (simple) piece of logic is required to extract LINE\_VALID and FRAME\_VALID from the 8-bit pixel data. Irrespective of the mode (stereoscopy/stand-alone), LINE\_VALID and FRAME\_VALID are always embedded in the pixel data.

In stereoscopic mode, the two sensors run in lock-step, implying all state machines are in the same state at any given time. This is ensured by the sensor-pair getting their sys-clks and sys-resets in the same instance. Configuration writes through the two-wire serial interface are done in such

a way that both sensors can get their configuration updates at once. The inter-sensor serial link is designed in such a way that once the slave PLL locks and the data-dly, shft-clk-dly and stream-latency-sel are configured, the master sensor streams good stereo content irrespective of any variation voltage and/or temperature as long as it is within specification. The configuration values of data-dly, shft-clk-dly and stream-latency-sel are either predetermined from the board-layout or can be empirically determined by reading back the stereo-error flag. This flag gets asserted when the two sensor streams are not in sync when merged. The combo\_reg is used for out-of-sync diagnosis.



- NOTES: 1. External pixel values of 0, 1, 2, 3, are reserved (they only convey control information). Any raw pixel of value 0, 1, 2 and 3 will be substituted with 4.  
 2. The external pixel sequence 1023, 0 1023 is a reserved sequence (conveys control information). Any raw pixel sequence of 1023, 0, 1023 will be substituted with 1023, 4, 1023.

Figure 34. Serial Output Format for 6x2 Frame

**LVDS Output Format**

In stand-alone mode, the packet size is 12 bits (2 frame bits and 10 payload bits); 10-bit pixels or 8-bit pixels can be selected. In 8-bit pixel mode (R0xB6[0] = 0), the packet

consists of a start bit, 8-bit pixel data (with sync codes), the line valid bit, the frame valid bit and the stop bit. For 10-bit pixel mode (R0xB6[0] = 1), the packet consists of a start bit, 10-bit pixel data, and the stop bit.

Table 7. LVDS PACKET FORMAT IN STAND-ALONE MODE (Stereoscopy Mode Bit De-Asserted)

| 12 Bit Packet | Use_10-bit_pixels Bit De-Asserted (8-Bit Mode) | Use_10-bit_pixels Bit Asserted (10-Bit Mode) |
|---------------|--|--|
| Bit[0]        | 1'b1(Start bit)                                | 1'b1(Start bit)                              |
| Bit[1]        | PixelData[2]                                   | PixelData[0]                                 |
| Bit[2]        | PixelData[3]                                   | PixelData[1]                                 |
| Bit[3]        | PixelData[4]                                   | PixelData[2]                                 |
| Bit[4]        | PixelData[5]                                   | PixelData[3]                                 |
| Bit[5]        | PixelData[6]                                   | PixelData[4]                                 |
| Bit[6]        | PixelData[7]                                   | PixelData[5]                                 |
| Bit[7]        | PixelData[8]                                   | PixelData[6]                                 |
| Bit[8]        | PixelData[9]                                   | PixelData[7]                                 |
| Bit[9]        | Line_Valid                                     | PixelData[8]                                 |
| Bit[10]       | Frame_Valid                                    | PixelData[9]                                 |
| Bit[11]       | 1'b0(Stop bit)                                 | 1'b0(Stop bit)                               |

In stereoscopic mode (see Figure 47), the packet size is 18 bits (2 frame bits and 16 payload bits). The packet consists

of a start bit, the master pixel byte (with sync codes), the slave byte (with sync codes), and the stop bit.)

**Table 8. LVDS PACKET FORMAT IN STEREOSCOPYY MODE** (Stereoscopy Mode Bit Asserted)

| 18-bit Packet | Function                     |
|---------------|------------------------------|
| Bit[0]        | 1'b1 (Start bit)             |
| Bit[1]        | Master Sensor Pixel Data [2] |
| Bit[2]        | Master Sensor Pixel Data [3] |
| Bit[3]        | Master Sensor Pixel Data [4] |
| Bit[4]        | Master Sensor Pixel Data [5] |
| Bit[5]        | Master Sensor Pixel Data [6] |
| Bit[6]        | Master Sensor Pixel Data [7] |
| Bit[7]        | Master Sensor Pixel Data [8] |
| Bit[8]        | Master Sensor Pixel Data [9] |
| Bit[9]        | Slave Sensor Pixel Data [2]  |
| Bit[10]       | Slave Sensor Pixel Data [3]  |
| Bit[11]       | Slave Sensor Pixel Data [4]  |
| Bit[12]       | Slave Sensor Pixel Data [5]  |
| Bit[13]       | Slave Sensor Pixel Data [6]  |
| Bit[14]       | Slave Sensor Pixel Data [7]  |
| Bit[15]       | Slave Sensor Pixel Data [8]  |
| Bit[16]       | Slave Sensor Pixel Data [9]  |
| Bit[17]       | 1'b0 (Stop bit)              |

Control signals LINE\_VALID and FRAME\_VALID can be reconstructed from their respective preceding and

succeeding flags that are always embedded within the pixel data in the form of reserved words.

**Table 9. RESERVED WORDS IN THE PIXEL DATA STREAM**

| Pixel Data Reserved Word | Flag                              |
|--------------------------|-----------------------------------|
| 0                        | Precedes frame valid assertion    |
| 1                        | Precedes line valid assertion     |
| 2                        | Succeeds line valid de-assertion  |
| 3                        | Succeeds frame valid de-assertion |

When LVDS mode is enabled along with column binning (bin 2 or bin 4, R0x0D[3:2]), the packet size remains the same but the serial pixel data stream repeats itself depending on whether 2X or 4X binning is set:

- For bin 2, LVDS outputs double the expected data (pixel 0,0 is output twice in sequence, followed by pixel 0,1 twice, . . .).
- For bin 4, LVDS outputs 4 times the expected data (pixel 0,0 is output 4 times in sequence followed by pixel 0,1 times 4, . . .).

The receiving hardware will need to undersample the output stream getting data either every 2 clocks (bin 2) or every 4 (bin 4) clocks.

If the sensor provides a pixel whose value is 0,1, 2, or 3 (that is, the same as a reserved word) then the outgoing serial pixel value is switched to 4.

**ELECTRICAL SPECIFICATIONS**

**Table 10. DC ELECTRICAL CHARACTERISTICS** (VPWR = 3.3 V ± 0.3 V; TA = Ambient = 255°C)

| Symbol                  | Definition                                    | Condition                               | Minimum    | Typical | Maximum    | Unit |
|-------------------------|---|---|------------|---------|------------|------|
| VIH                     | Input high voltage                            |   | VPWR - 0.5 | -       | VPWR + 0.3 | V    |
| VIL                     | Input low voltage                             |   | -0.3       | -       | 0.8        | V    |
| IIN                     | Input leakage current                         | No pull-up resistor; VIN = VPWR or VGND | -15.0      | -       | 15.0       | μA   |
| VOH                     | Output high voltage                           | IOH = -4.0mA                            | VPWR -0.7  | -       | -          | V    |
| VOL                     | Output low voltage                            | IOL = 4.0mA                             | -          | -       | 0.3        | V    |
| IOH                     | Output high current                           | VOH = VDD - 0.7                         | -9.0       | -       | -          | mA   |
| IOL                     | Output low current                            | VOL = 0.7                               | -          | -       | 9.0        | mA   |
| VAA                     | Analog power supply                           | Default settings                        | 3.0        | 3.3     | 3.6        | V    |
| IPWRA                   | Analog supply current                         | Default settings                        | -          | 35.0    | 60.0       | mA   |
| VDD                     | Digital power supply                          | Default settings                        | 3.0        | 3.3     | 3.6        | V    |
| IPWRD                   | Digital supply current                        | Default settings, CLOAD = 10pF          | -          | 35.0    | 60         | mA   |
| VAAPIX                  | Pixel array power supply                      | Default settings                        | 3.0        | 3.3     | 3.6        | V    |
| IPIX                    | Pixel supply current                          | Default settings                        | 0.5        | 1.4     | 3.0        | mA   |
| VLVDS                   | LVDS power supply                             | Default settings                        | 3.0        | 3.3     | 3.6        | V    |
| ILVDS                   | LVDS supply current                           | Default settings                        | 11.0       | 13.0    | 15.0       | mA   |
| IPWRA Standby           | Analog standby supply current                 | STDBY = VDD                             | 2          | 3       | 4          | μA   |
| IPWRD Standby Clock Off | Digital standby supply current with clock off | STDBY = VDD, CLKIN = 0 MHz              | 1          | 2       | 4          | μA   |
| IPWRD Standby Clock On  | Digital standby supply current with clock on  | STDBY= VDD, CLKIN = 27 MHz              | -          | 1.05    | -          | mA   |

**LVDS Driver DC Specifications**

|      |   |             |     |     |     |    |
|------|---|-------------|-----|-----|-----|----|
| VOD  | Output differential voltage                       | RLOAD = 100 | 250 | -   | 400 | mV |
| DVOD | Change in VOD between complementary output states |             | -   | -   | 50  | mV |
| VOS  | Output offset voltage                             |             | 1.0 | 1.2 | 1.4 | mV |
| DVOS | Change in VOS between complementary output states |             | -   | -   | 35  | mV |
| IOS  | Output current when driver shorted to ground      | ± ± 1%      |     | ±10 | ±12 | mA |
| IOZ  | Output current when driver is tristate            |             |     | ±1  | ±10 | μA |

**LVDS Receiver DC Specifications**

|        |                    |                |      |   |     |    |
|--------|--------------------|----------------|------|---|-----|----|
| VIDTH+ | Input differential | VGPD   < 925mV | -100 | - | 100 | mV |
| Iin    | Input current      |                | -    | - | ±20 | μA |

**Table 11. ABSOLUTE MAXIMUM RATINGS**

| Symbol                    | Parameter                           | Minimum | Maximum               | Unit |
|---------------------------|-------------------------------------|---------|-----------------------|------|
| V <sub>SUPPLY</sub>       | Power supply voltage (all supplies) | -0.3    | 4.5                   | V    |
| I <sub>SUPPLY</sub>       | Total power supply current          | -       | 200                   | mA   |
| I <sub>GND</sub>          | Total ground current                | -       | 200                   | mA   |
| V <sub>IN</sub>           | DC input voltage                    | -0.3    | V <sub>DD</sub> + 0.3 | V    |
| V <sub>OUT</sub>          | DC output voltage                   | -0.3    | V <sub>DD</sub> + 0.3 | V    |
| T <sub>STG</sub> (Note 5) | Storage temperature                 | -40     | +125                  | °C   |

Stresses exceeding those listed in the Maximum Ratings table may damage the device. If any of these limits are exceeded, device functionality should not be assumed, damage may occur and reliability may be affected.

5. This is a stress rating only, and functional operation of the device at these or any other conditions above those indicated in the operational sections of this specification is not implied.

Exposure to absolute maximum rating conditions for extended periods may affect reliability.

**WARNING:** Stresses greater than those listed may cause permanent damage to the device.

**Table 12. AC ELECTRICAL CHARACTERISTICS** (V<sub>PWR</sub> = 3.3 V ± 0.3 V; T<sub>A</sub> = Ambient = 25°C; Output Load = 10 pF)

| Definition        | Symbol   | Condition                | Min  | Typ  | Max  | Unit |
|-------------------|--|--------------------------|------|------|------|------|
| SYSCLK            | Input clock frequency                                    | Note 6                   | 13.0 | 26.6 | 27.0 | MHz  |
|                   | Clock duty cycle   |                          | 45.0 | 50.0 | 55.0 | %    |
| t <sub>R</sub>    | Input clock rise time                                    |                          | 1    | 2    | 5    | ns   |
| t <sub>F</sub>    | Input clock fall time                                    |                          | 1    | 2    | 5    | ns   |
| t <sub>PLHP</sub> | SYSCLK to PIXCLK propagation delay                       | C <sub>LOAD</sub> = 10pF | 3    | 7    | 11   | ns   |
| t <sub>PD</sub>   | PIXCLK to valid D <sub>OUT</sub> (9:0) propagation delay | C <sub>LOAD</sub> = 10pF | -2   | 0    | 2    | ns   |
| t <sub>SD</sub>   | Data setup time  |                          | 14   | 16   | -    | ns   |
| t <sub>HD</sub>   | Data hold time   |                          | 14   | 16   | -    | ns   |
| t <sub>PFLR</sub> | PIXCLK to LINE_VALID propagation delay                   | C <sub>LOAD</sub> = 10pF | -2   | 0    | 2    | ns   |
| t <sub>PFLF</sub> | PIXCLK to FRAME_VALID propagation delay                  | C <sub>LOAD</sub> = 10pF | -2   | 0    | 2    | ns   |

6. The frequency range specified applies only to the parallel output mode of operation.

**Propagation Delays for PIXCLK and Data Out Signals**

The pixel clock is inverted and delayed relative to the master clock. The relative delay from the master clock (SYSCLK) rising edge to both the pixel clock (PIXCLK) falling edge and the data output transition is typically 7 ns. Note that the falling edge of the pixel clock occurs at approximately the same time as the data output transitions. See Table 13 for data setup and hold times.

LINE\_VALID goes HIGH on the same rising master clock edge as the output of the first valid pixel’s data and returns LOW on the same master clock rising edge as the end of the output of the last valid pixel’s data.

As shown in the “Output Data Timing”, FRAME\_VALID goes HIGH 143 pixel clocks before the first LINE\_VALID goes HIGH. It returns LOW 23 pixel clocks after the last LINE\_VALID goes LOW.

**Propagation Delays for FRAME\_VALID and LINE\_VALID Signals**

The LINE\_VALID and FRAME\_VALID signals change on the same rising master clock edge as the data output. The

## MT9V022

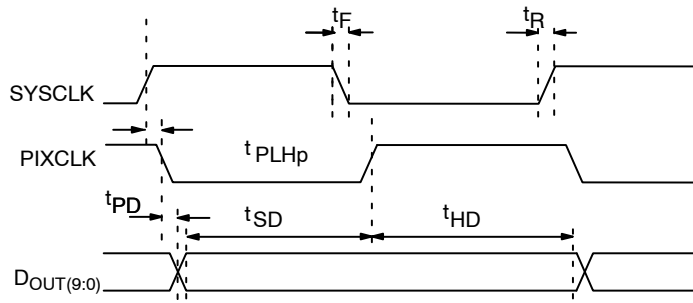


Figure 35. Propagation Delays for PIXCLK and Data Out Signals

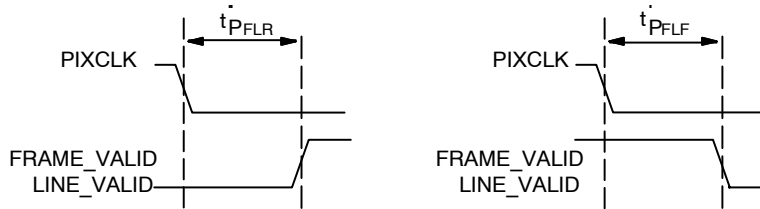


Figure 36. Propagation Delays for FRAME\_VALID and LINE\_VALID Signals

### Performance Specifications

Table 13 summarizes the specification for each performance parameter.

Table 13. PERFORMANCE SPECIFICATIONS

| Parameter     | Unit | Minimum | Typical | Maximum | Test Number |
|---------------|------|---------|---------|---------|-------------|
| Sensitivity   | LSB  | 400     | 572     | 745     | 1           |
| DSNU          | LSB  | N/A     | 2.3     | 7.0     | 2           |
| PRNU          | %    | N/A     | 1.3     | 4.0     | 3           |
| Dynamic Range | dB   | 52.0    | 54.4    | N/A     | 4           |
| SNR           | dB   | 33.0    | 37.3    | N/A     | 5           |

NOTES: All specifications address operation is at  $T_A = 25^\circ\text{C}$  ( $\pm 3^\circ\text{C}$ ) and supply voltage = 3.3 V. Image sensor was tested without a lens. Multiple images were captured and analyzed.

Setup: VDD = VAA = VAAPIX = LVDSVDD = 3.3 V. Testing was done with default frame timing and default register settings, with the exception of AEC/AGC, row noise correction, and auto black level, which were disabled.

Performance definitions are detailed in the following sections.

#### Test 1: Sensitivity

A flat-field light source (90 lux, color temperature 4400K, broadband, w/ IR cut filter) is used as an illumination source. Signals are measured in LSB on the sensor output. A series of four frames are captured and averaged to obtain a scalar sensitivity output code.

#### Test 2: Dark Signal Non-Uniformity (DSNU)

The image sensor is held in the dark. Analog gain is changed to the maximum setting of 4X. Signals are measured in LSB on the sensor output. A series of four frames are captured and averaged (pixel-by-pixel) into one average frame. DSNU is calculated as the standard deviation of this average frame.

#### Test 3: Photo Response Non-Uniformity (PRNU)

A flat-field light source (90 lux, color temperature 4400K, broadband, with IR cut filter) is used as an illumination source. Signals are measured in LSB on the sensor output. Two series of four frames are captured and averaged (pixel-by-pixel) into one average frame, one series is captured under illuminated conditions, and one is captured in the dark.

PRNU is expressed as a percentage relating the standard deviation of the average frames difference (illuminated frame - dark frame) to the average illumination level:

$$\text{PRNU} = 100 \times \frac{\sqrt{\frac{1}{N_p} \cdot \sum_{i=1}^{N_p} (S_{\text{illumination}(i)} - S_{\text{dark}(i)})^2}}{\frac{1}{N_p} \sum_{i=1}^{N_p} (S_{\text{illumination}(i)})} \quad (\text{eq. 16})$$

Where  $S_{illumination}(i)$  is the signal measured for the  $i$ -th pixel from the average illuminated frame,  $S_{dark}(i)$  is the signal measured for the  $i$ -th pixel from the average dark

**Test 4: Dynamic Range**

A temporal noise measurement is made with the image sensor in the dark and analog gain changed to the maximum setting of 4X. Signals are measured in LSB on the sensor output. Two consecutive dark frames are captured. Temporal noise is calculated as the average pixel value of the difference frame:

$$\sigma_t = \sqrt{\frac{\sum N_{p_i=1} (S_{1i} - S_{2i})^2}{2 \cdot N_p}} \quad (\text{eq. 17})$$

Where  $S_{1i}$  is the signal measured for the  $i$ -th pixel from the first frame,  $S_{2i}$  is the signal measured for the  $i$ -th pixel from the second frame, and  $N_p$  is the total number of pixels contained in the array.

The dynamic range is calculated according to the following formula:

$$\text{Dynamic Range} = 20 \cdot \log\left[\frac{4 \times 1022}{\sigma_t}\right] \quad (\text{eq. 18})$$

Where  $\sigma_t$  is the temporal noise measured in the dark at 4X gain.

**Test 5: Signal-to-Noise Ratio**

A flat-field light source (90 lux, color temperature 4400 K, broadband, with IR cut filter) is used as an illumination

frame, and  $N_p$  is the total number of pixels contained in the array.

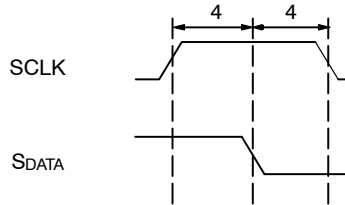
Signals are measured in LSB on the sensor output. Two consecutive illuminated frames are captured. Temporal noise is calculated as the average pixel value of the difference frame (according to the formula shown in Test 4). The signal-to-noise ratio is calculated as the ratio of the average signal level to the temporal noise according to the following formula:

$$\sigma_t = \sqrt{\frac{\sum N_{p_i=1} (S_{1i} - S_{2i})^2}{2 \cdot N_p}} \quad (\text{eq. 19})$$

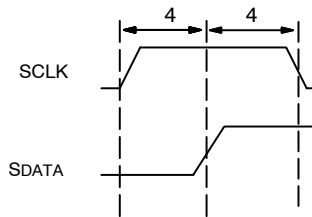
Where  $\delta_t$  is the temporal noise measured from the illuminated frames,  $S_{1i}$  is the signal measured for the  $i$ -th pixel from the first frame, and  $N_p$  is the total number of pixels contained in the array.

**Two-Wire Serial Bus Timing**

The two-wire serial bus operation requires certain minimum master clock cycles between transitions. These are specified in the following diagrams in master clock cycles.



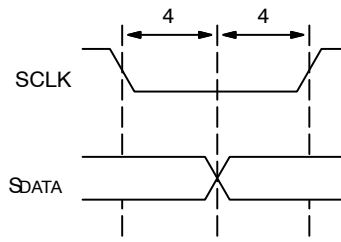
**Figure 37. Serial Host Interface Start Condition Timing**



NOTE: All timing are in units of master clock cycle.

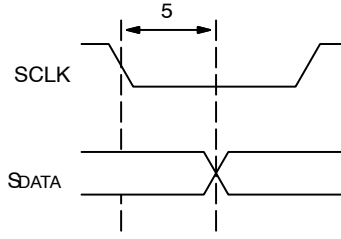
**Figure 38. Serial Host Interface Stop Condition Timing**

## MT9V022



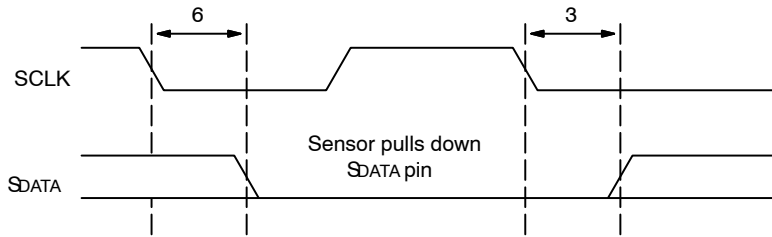
NOTE: SDATA is driven by an off-chip transmitter.

**Figure 39. Serial Host Interface Data Timing for WRITE**

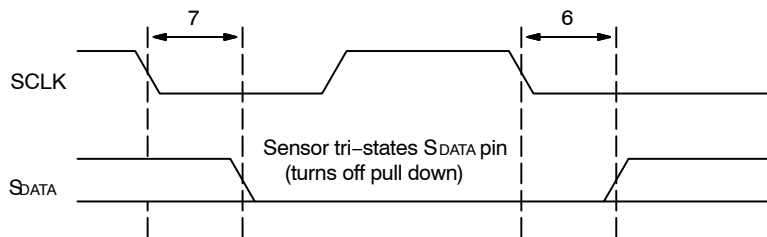


NOTE: SDATA is pulled LOW by the sensor, or allowed to be pulled HIGH by a pull-up resistor off-chip.

**Figure 40. Serial Host Interface Data Timing for READ**



**Figure 41. Acknowledge Signal Timing After an 8-Bit WRITE to the Sensor**



NOTE: After a READ, the master receiver must pull down SDATA to acknowledge receipt of data bits. When read sequence is complete, the master must generate a "No Acknowledge" by leaving SDATA to float HIGH. On the following cycle, a start or stop bit may be used.

**Figure 42. Acknowledge Signal Timing After an 8-Bit READ from the Sensor**

# MT9V022

## TEMPERATURE REFERENCE

The MT9V022 contains a temperature reference circuit that can be used to measure relative temperatures. Contact

your ON Semiconductor field applications engineer (FAE) for more information on using this circuit.

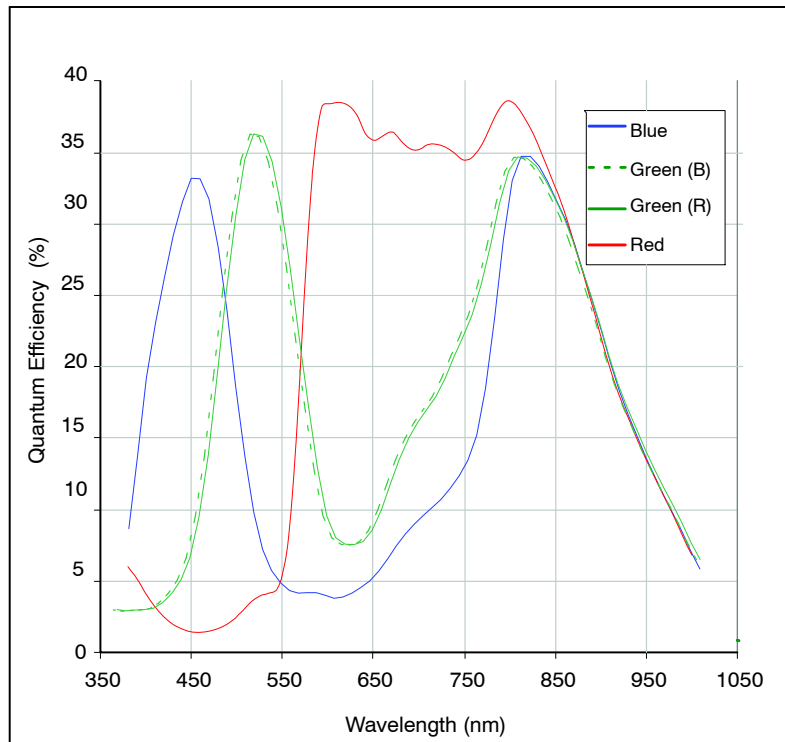


Figure 43. Typical Quantum Efficiency - Color

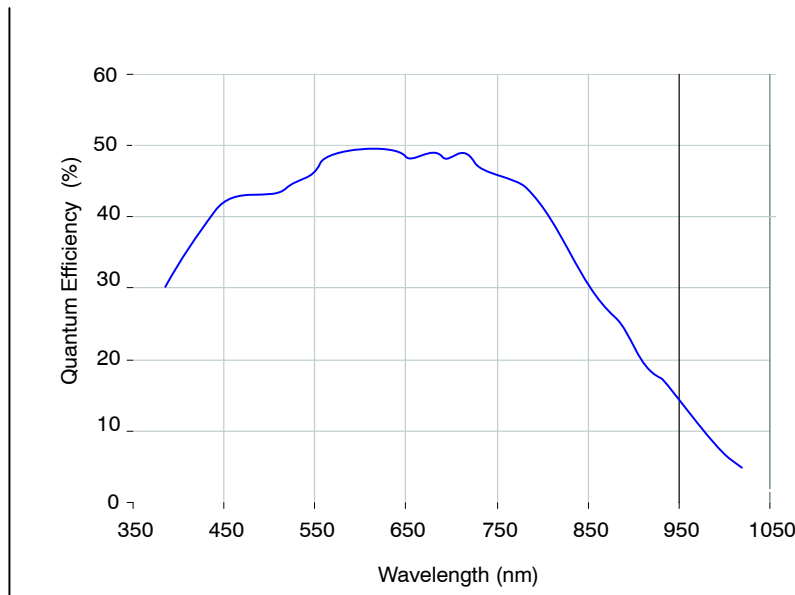


Figure 44. Typical Quantum Efficiency - Monochrome



**APPENDIX A – SERIAL CONFIGURATIONS**

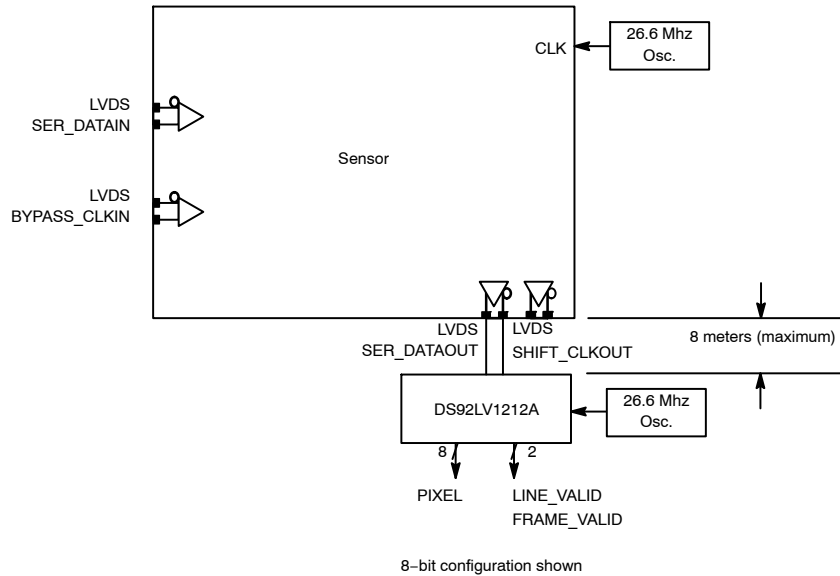
With the LVDS serial video output, the deserializer can be up to 8 meters from the sensor. The serial link can save on the cabling cost of 14 wires (DOUT[9:0], LINE\_VALID, FRAME\_VALID, PIXCLK, GND). Instead, just 3 wires (2 serial LVDS, one GND) are sufficient to carry the video signal.

**Configuration of Sensor for Stand – Alone Serial Output with Internal PLL**

In this configuration, the internal PLL generates the shift-clk (x12). The LVDS pins SER\_DATAOUT\_P and

SER\_DATAOUT\_N must be connected to a deserializer (clocked at approximately the same system clock frequency).

Figure 45 shows how a standard off-the-shelf deserializer (National Semiconductor DS92LV1212A) can be used to retrieve the standard parallel video signals of DOUT(9:0), LINE\_VALID and FRAME\_VALID.



**Figure 45. Stand-Alone Topology**

Typical configuration of the sensor:

1. Power-up sensor.
2. Enable LVDS driver (set R0xB3[4]= 0).
3. De-assert LVDS power-down (set R0xB1[1] = 0).
4. Issue a soft reset (set R0x0C[0] = 1 followed by R0x0C[0] = 0).

If necessary:

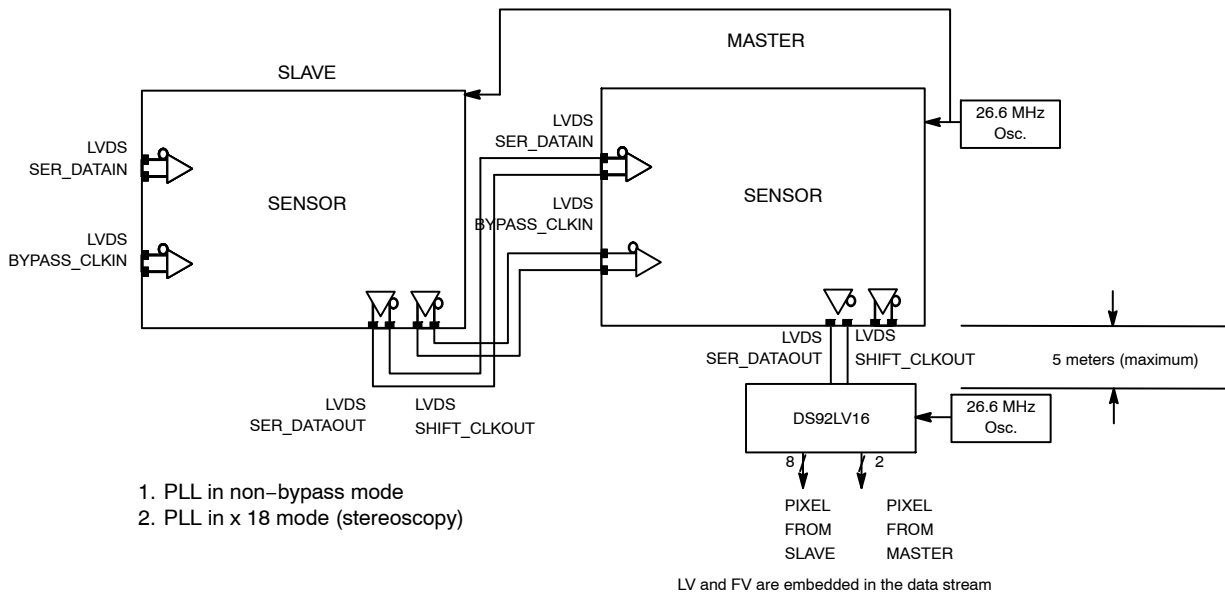
5. Force sync patterns for the deserializer to lock (set R0xB5[0] = 1).
6. Stop applying sync patterns (set R0xB5[0] = 0).

**Configuration of Sensor for Stereoscopic Serial Output with Internal PPL**

In this configuration the internal PLL generates the shift-clk (x18) in phase with the system-clock. The LVDS pins SER\_DATAOUT\_P and SER\_DATAOUT\_N must be connected to a deserializer (clocked at approximately the same system clock frequency).

Figure 46 shows how a standard off-the-shelf deserializer can be used to retrieve back DOUT(9:2) for both the master and slave sensors. Additional logic is required to extract out LINE\_VALID and FRAME\_VALID embedded within the pixel data stream.

# MT9V022



**Figure 46. Stereoscopic Topology**

Typical configuration of the master and slave sensors:

1. Power up the sensors.
2. Broadcast WRITE to de-assert LVDS power-down (set R0xB1[1] = 0).
3. Individual WRITE to master sensor putting its internal PLL into bypass mode (set R0xB1[0] = 1).
4. Broadcast WRITE to both sensors to set the stereoscopy bit (set R0x07[5] = 1).
5. Make sure all resolution, vertical blanking, horizontal blanking, window size, and AEC/AGC configurations are done through broadcast WRITE to maintain lockstep.
6. Broadcast WRITE to enable LVDS driver (set R0xB3[4] = 0).
7. Broadcast WRITE to enable LVDS receiver (set R0xB2[4] = 0).
8. Individual WRITE to master sensor, putting its internal PLL into bypass mode (set R0xB1[0] = 1).
9. Individual WRITE to slave sensor, enabling its internal PLL (set R0xB1[0] = 0).
10. Individual WRITE to slave sensor, setting it as a stereo slave (set R0x07[6] = 1).
11. Individual WRITES to master sensor to minimize the inter-sensor skew (set R0xB2[2:0],

R0xB3[2:0], and R0xB4[1:0] appropriately). Use R0xB7 and R0xB8 to get lockstep feedback from stereo\_error\_flag.

12. Broadcast WRITE to issue a soft reset (set R0x0C[0] = 1 followed by R0x0C[0] = 0).

**NOTE:** The stereo\_error\_flag is set if a mismatch has occurred at a reserved byte (slave and master sensor's codes at this reserved byte must match). If the flag is set, steps 11 and 12 are repeated until the stereo\_error\_flag remains cleared.

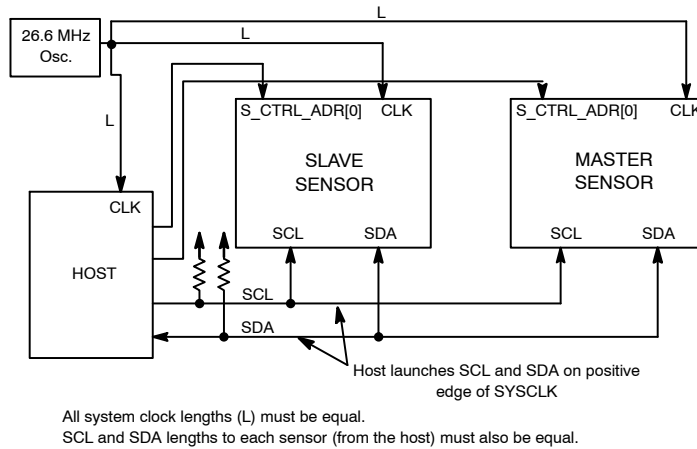
### Broadcast and Individual Writes for Stereoscopic Topology

In stereoscopic mode, the two sensors are required to run in lockstep. This implies that control logic in each sensor is in exactly the same state as its pair on every clock. To ensure this, all inputs that affect control logic must be identical and arrive at the same time at each sensor.

These inputs include:

- system clock
- system reset
- two-wire serial interface clk – SCL
- two-wire serial interface data – SDA

## MT9V022



**Figure 47. Two-Wire Serial Interface Configuration in Stereoscopic Mode**

The setup in Figure 47 shows how the two sensors can maintain lockstep when their configuration registers are written through the two-wire serial interface. A WRITE to configuration registers would either be broadcast (simultaneous WRITES to both sensors) or individual (WRITE to just one sensor at a time). READs from configuration registers would be individual (READs from just one sensor at a time).

One of the two serial interface slave address bits of the sensor is hardwired. The other is controlled by the host. This

allows the host to perform either a broadcast or a one-to-one access.

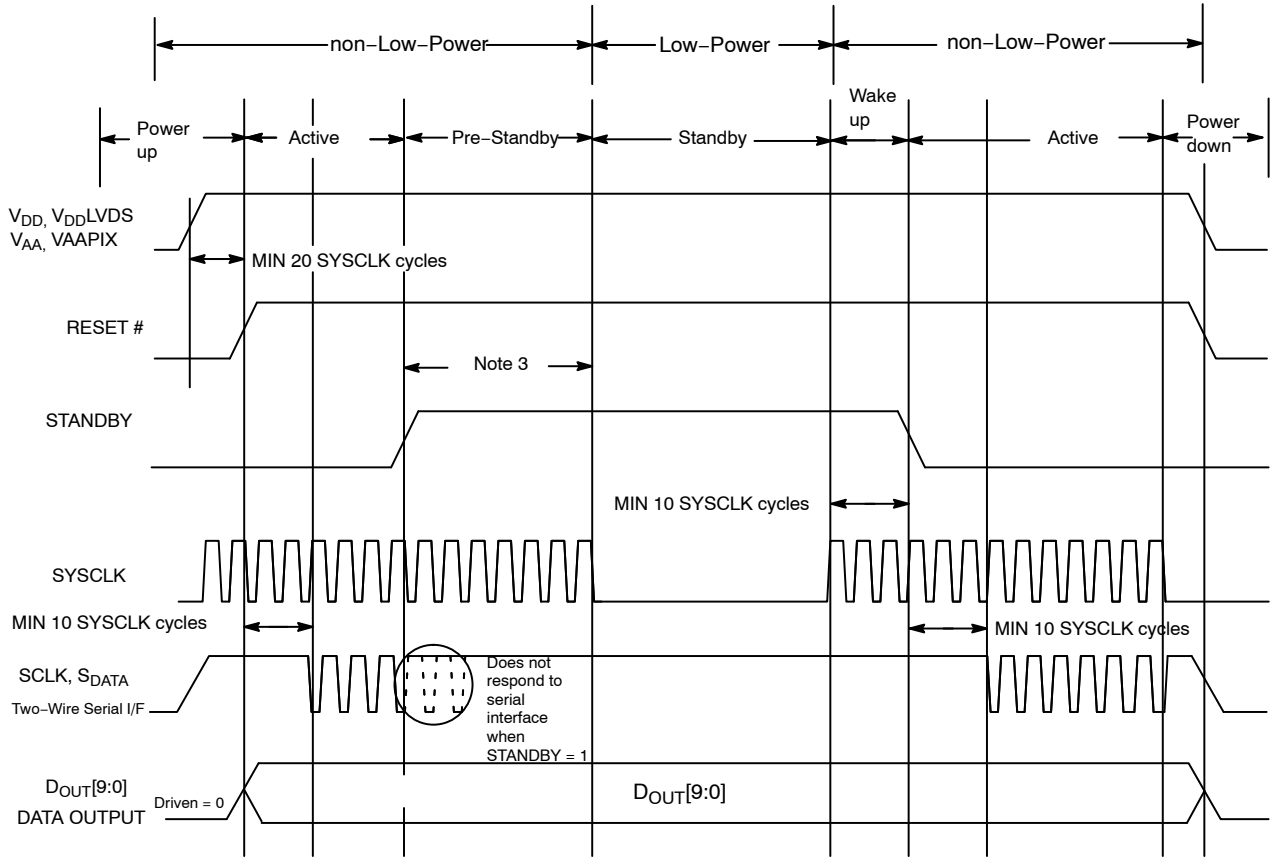
Broadcast WRITES are performed by setting the same S\_CTRL\_ADR input bit for both slave and master sensor. Individual WRITES are performed by setting opposite S\_CTRL\_ADR input bit for both slave and master sensor. Similarly, individual READs are performed by setting opposite S\_CTRL\_ADR input bit for both slave and master sensor.

APPENDIX B – POWER-ON RESET AND STANDBY TIMING

Reset, Clocks, and Standby

There are no constraints concerning the order in which the various power supplies are applied; however, the MT9V022

requires reset in order to operate properly at power-up. Refer to Figure 48 for the power-up, reset, and standby sequences.



1. All output signals are defined during initial power-up with RESET# held LOW without SYSCLK being active. To properly reset the rest of the sensor, during initial power-up, assert RESET# (set to LOW state) for at least 750ns after all power supplies have stabilized and SYSCLK is active (being clocked). Driving RESET# to LOW state does not put the part in a low power state.
2. Before using two-wire serial interface, wait for 10 SYSCLK rising edges after RESET# is de-asserted.
3. Once the sensor detects that STANDBY has been asserted, it completes the current frame readout before entering standby mode. The user must supply enough SYSCLKs to allow a complete frame readout. See Table 4, "Frame Time", for more information.
4. In standby, all video data and synchronization output signals are High-Z.
5. In standby, the two-wire serial interface is not active.

Figure 48. Power-up, Reset, Clock and Standby Sequence

Standby Assertion Restrictions

STANDBY cannot be asserted at any time. If STANDBY is asserted during a specific window within the vertical blanking period, the MT9V022 may enter a permanent standby state. This window (that is, dead zone) occurs prior to the beginning of the new frame readout. The permanent standby state is identified by the absence of the FRAME\_VALID signal on frame readouts. Issuing a hardware reset (RESET# set to LOW state) will return the image sensor to default startup conditions.

This dead zone can be avoided by:

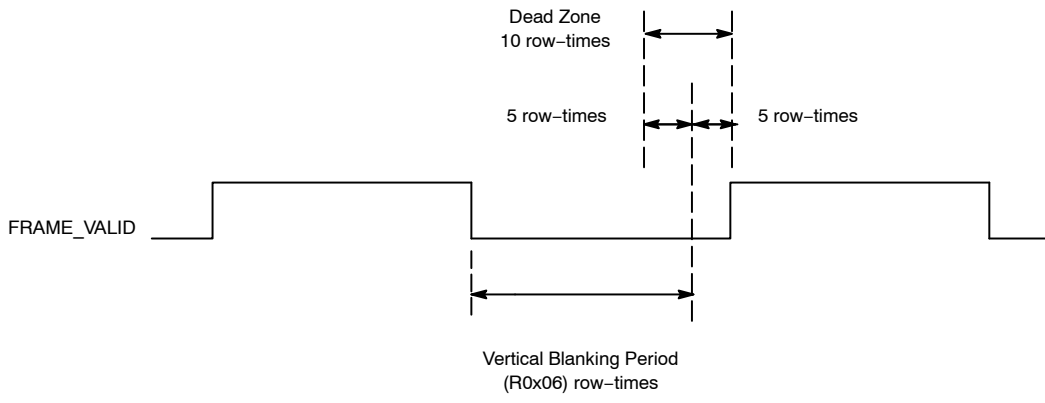
1. Asserting STANDBY during the valid frame readout time (FRAME\_VALID is HIGH) and

maintaining STANDBY assertion for a minimum of one frame period.

2. Asserting STANDBY at the end of valid frame readout (falling edge of FRAME\_VALID) and maintaining STANDBY assertion for a minimum of [5 + R0x06] row-times.

When STANDBY is asserted during the vertical blanking period (FRAME\_VALID is LOW), the STANDBY signal must not change state between [Vertical Blanking Register (R0x06) - 5] row-times and [Vertical Blanking Register + 5] row-times after the falling edge of FRAME\_VALID.

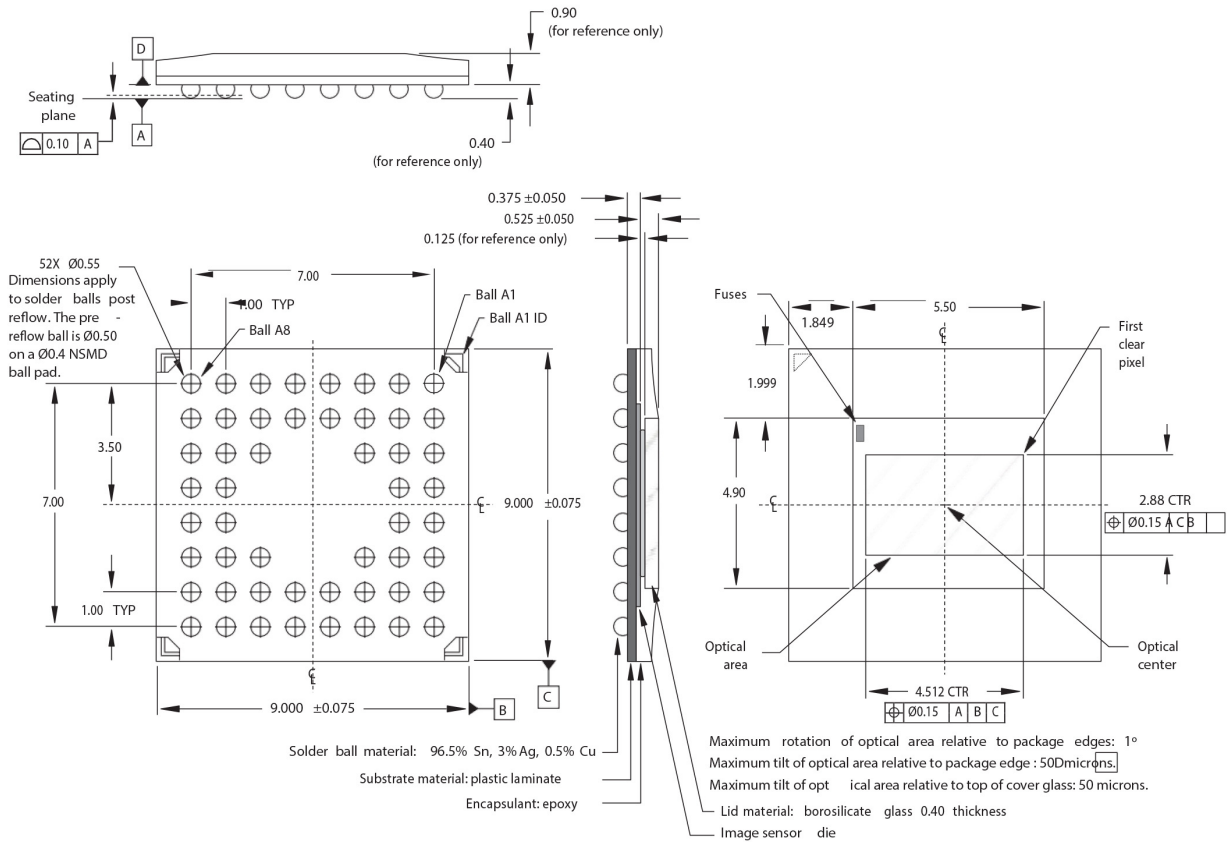
# MT9V022



**Figure 49. STANDBY Restricted Location**

Package Dimensions

Figure 45: 52-Ball IBGA



Notes: 1. All dimensions in millimeters.

ON Semiconductor and are trademarks of Semiconductor Components Industries, LLC dba ON Semiconductor or its subsidiaries in the United States and/or other countries. ON Semiconductor owns the rights to a number of patents, trademarks, copyrights, trade secrets, and other intellectual property. A listing of ON Semiconductor's product/patent coverage may be accessed at [www.onsemi.com/site/pdf/Patent-Marking.pdf](http://www.onsemi.com/site/pdf/Patent-Marking.pdf). ON Semiconductor reserves the right to make changes without further notice to any products herein. ON Semiconductor makes no warranty, representation or guarantee regarding the suitability of its products for any particular purpose, nor does ON Semiconductor assume any liability arising out of the application or use of any product or circuit, and specifically disclaims any and all liability, including without limitation special, consequential or incidental damages. Buyer is responsible for its products and applications using ON Semiconductor products, including compliance with all laws, regulations and safety requirements or standards, regardless of any support or applications information provided by ON Semiconductor. "Typical" parameters which may be provided in ON Semiconductor data sheets and/or specifications can and do vary in different applications and actual performance may vary over time. All operating parameters, including "Typicals" must be validated for each customer application by customer's technical experts. ON Semiconductor does not convey any license under its patent rights nor the rights of others. ON Semiconductor products are not designed, intended, or authorized for use as a critical component in life support systems or any FDA Class 3 medical devices or medical devices with a same or similar classification in a foreign jurisdiction or any devices intended for implantation in the human body. Should Buyer purchase or use ON Semiconductor products for any such unintended or unauthorized application, Buyer shall indemnify and hold ON Semiconductor and its officers, employees, subsidiaries, affiliates, and distributors harmless against all claims, costs, damages, and expenses, and reasonable attorney fees arising out of, directly or indirectly, any claim of personal injury or death associated with such unintended or unauthorized use, even if such claim alleges that ON Semiconductor was negligent regarding the design or manufacture of the part. ON Semiconductor is an Equal Opportunity/Affirmative Action Employer. This literature is subject to all applicable copyright laws and is not for resale in any manner.

PUBLICATION ORDERING INFORMATION

**LITERATURE FULFILLMENT:**  
Literature Distribution Center for ON Semiconductor  
19521 E. 32nd Pkwy, Aurora, Colorado 80011 USA  
**Phone:** 303-675-2175 or 800-344-3860 Toll Free USA/Canada  
**Fax:** 303-675-2176 or 800-344-3867 Toll Free USA/Canada  
**Email:** [orderlit@onsemi.com](mailto:orderlit@onsemi.com)

**N. American Technical Support:** 800-282-9855 Toll Free  
USA/Canada  
**Europe, Middle East and Africa Technical Support:**  
Phone: 421 33 790 2910

**ON Semiconductor Website:** [www.onsemi.com](http://www.onsemi.com)  
**Order Literature:** <http://www.onsemi.com/orderlit>

For additional information, please contact your local Sales Representative