

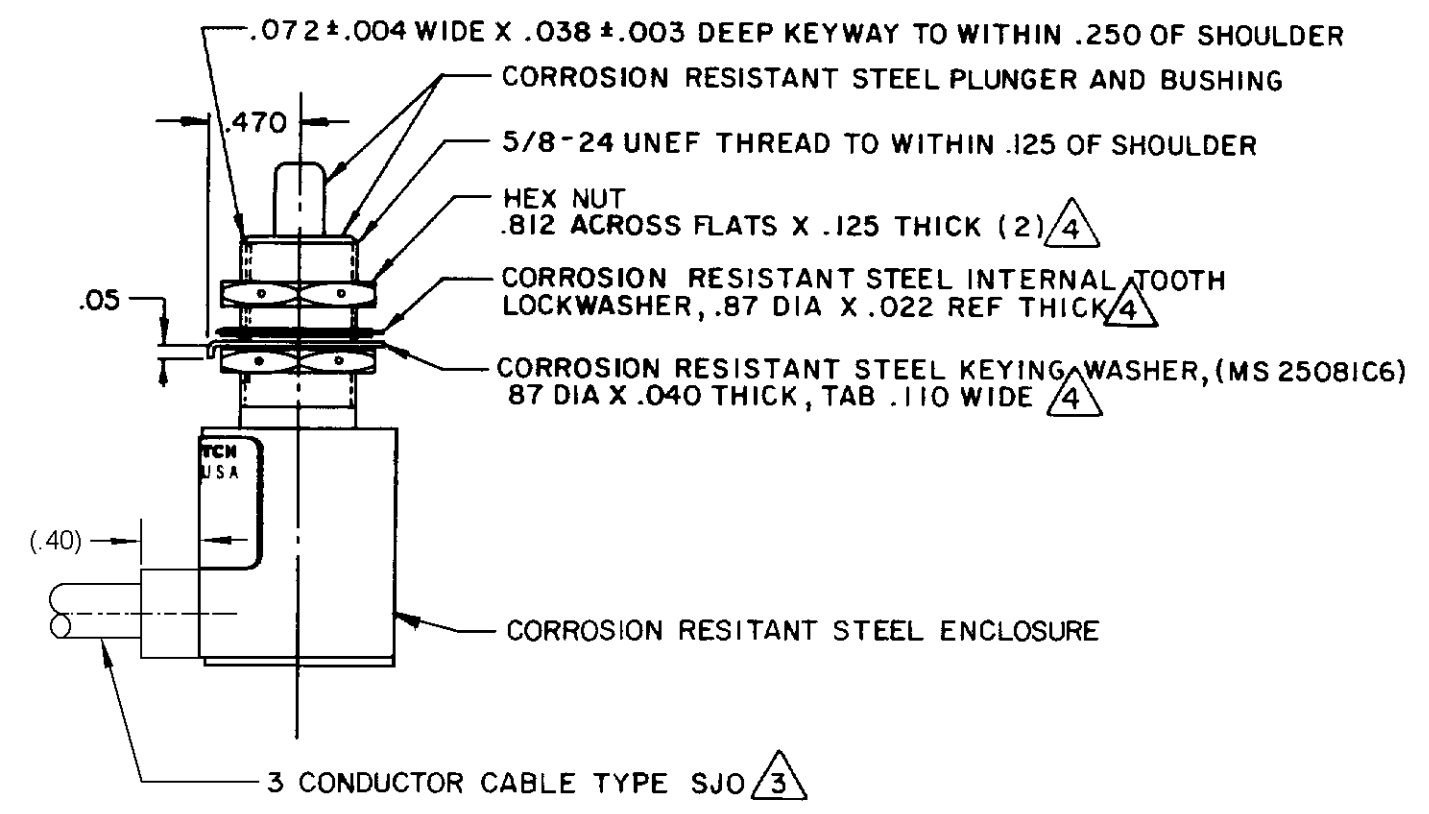
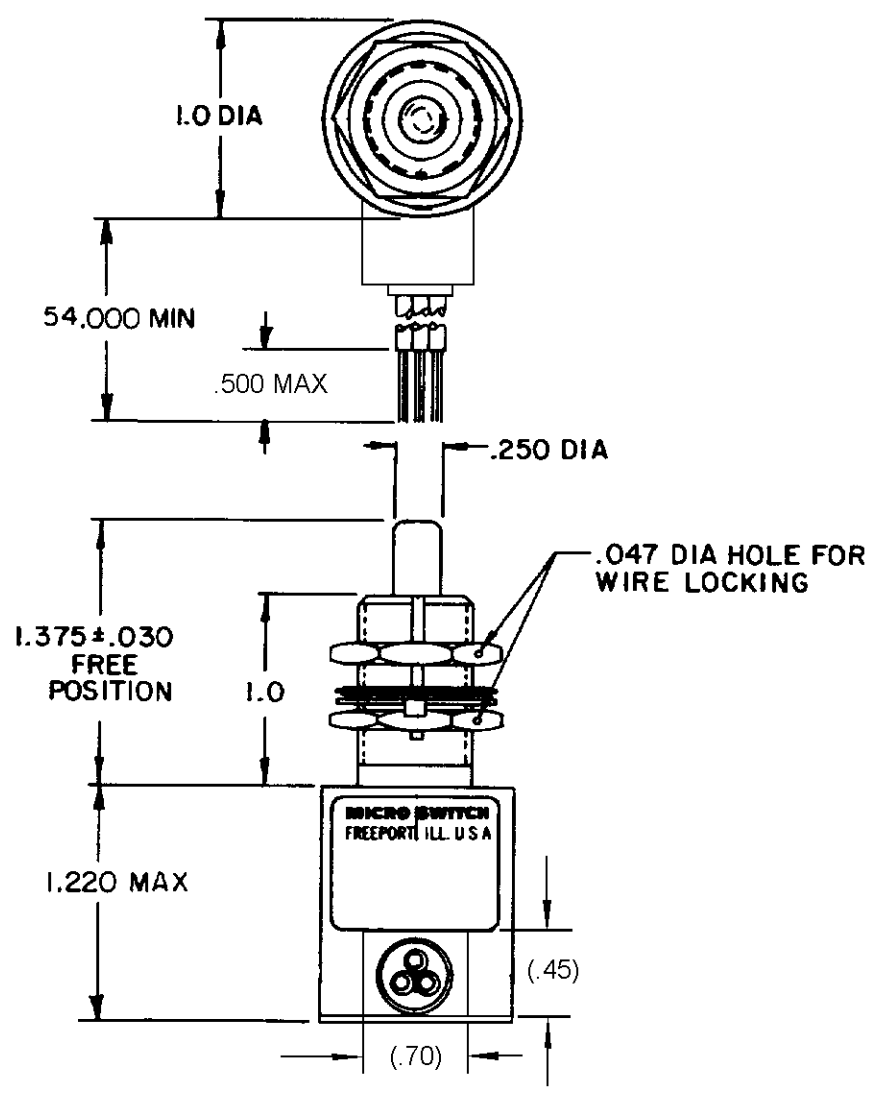
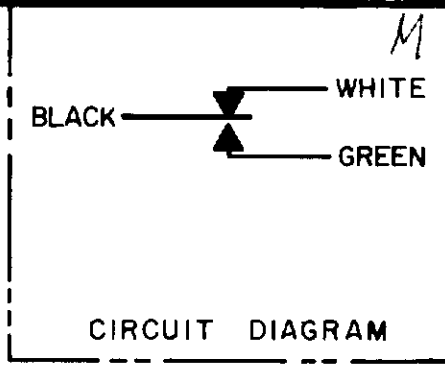
MICRO SWITCH

FREEPORT ILLINOIS U S A
A DIVISION OF HONEYWELL

FED MFG CODE 91929

SWITCH - ENCLOSED

CATALOG LISTING
1CH111



RASTER
 FO-92851-B
 DRAWN
 J A S 30 SEPT 86
 CHECK KAG 3 OCT 86
 J A S 30 SEPT 86
 CHECK KAG 3 OCT 86
 REVISIONS
 A C063259
 YSR
 15 APR 88
 B C073770
 LJJ
 28 OCT 92
 C C074101
 LJJ
 28 JAN 93
 D C073770
 LJJ
 18 MAY 94
 E 0016449
 KSR
 27 OCT 05
 ISSUE
 X 6
 X 5
 X 4
 DRAWING NUMBER
 M 1CH111
 REPLACES
 PR-15094
 27OCT05
 RJ
 CHECK
 GLL
 3 OCT 86
 CHECK
 GLL
 3 OCT 86
 CHECK
 GLL
 3 OCT 86

THIS DRAWING COVERS A PROPRIETARY ITEM AND IS THE PROPERTY OF MICRO SWITCH A DIVISION OF HONEYWELL THIS DRAWING IS NOT TO BE COPIED OR USED WITHOUT THE APPROVAL OF MICRO SWITCH		SCALE FULL																													
DO NOT SCALE PRINT		TOLERANCES																													
APPLY TO DESIGN UNITS. CONVERSIONS ARE ONLY FOR REFERENCE UNLESS NOTED TOLERANCES ARE:		<table border="1"> <tr> <th>DIM</th> <th>TOL</th> <th>DIM</th> <th>TOL</th> </tr> <tr> <td>mm</td> <td>mm/in</td> <td>in</td> <td>mm/in</td> </tr> <tr> <td>NO PLACES</td> <td>± .125</td> <td>± .005</td> <td>± .005</td> </tr> <tr> <td>ONE PLACE</td> <td>± .125</td> <td>± .005</td> <td>± .005</td> </tr> <tr> <td>TWO PLACES</td> <td>± .005</td> <td>± .005</td> <td>± .005</td> </tr> <tr> <td>THREE PLACES</td> <td>± .005</td> <td>± .005</td> <td>± .005</td> </tr> <tr> <td>ANGLES</td> <td></td> <td></td> <td></td> </tr> </table>		DIM	TOL	DIM	TOL	mm	mm/in	in	mm/in	NO PLACES	± .125	± .005	± .005	ONE PLACE	± .125	± .005	± .005	TWO PLACES	± .005	± .005	± .005	THREE PLACES	± .005	± .005	± .005	ANGLES			
DIM	TOL	DIM	TOL																												
mm	mm/in	in	mm/in																												
NO PLACES	± .125	± .005	± .005																												
ONE PLACE	± .125	± .005	± .005																												
TWO PLACES	± .005	± .005	± .005																												
THREE PLACES	± .005	± .005	± .005																												
ANGLES																															
DESIGN UNITS: <input type="checkbox"/> METRIC <input checked="" type="checkbox"/> US CUSTOMARY		THIRD ANGLE PROJECTION																													
WEIGHT 8.6 OZ MAX																															
<table border="1"> <tr> <th>CHARACTERISTICS</th> <th>ELECTRICAL DATA</th> </tr> <tr> <td>OPERATING FORCE ----- 6-12 LB</td> <td>CONTACT ARRANGEMENT</td> </tr> <tr> <td>FULL OVERTRAVEL FORCE ----- 30 LB MAX</td> <td>S P D T</td> </tr> <tr> <td>RELEASE FORCE ----- 4 LB MIN</td> <td>LOAD</td> </tr> <tr> <td>PRETRAVEL ----- .040 MAX</td> <td>28 VDC</td> </tr> <tr> <td>DIFFERENTIAL TRAVEL ----- 0.20 MAX</td> <td>SEA LEVEL</td> </tr> <tr> <td>OVERTRAVEL ----- .250 MIN</td> <td>50,000 FT.</td> </tr> <tr> <td></td> <td>RES</td> </tr> <tr> <td></td> <td>IND</td> </tr> <tr> <td></td> <td>MOTOR</td> </tr> <tr> <td></td> <td>4</td> </tr> <tr> <td></td> <td>2</td> </tr> <tr> <td></td> <td>4</td> </tr> </table>		CHARACTERISTICS	ELECTRICAL DATA	OPERATING FORCE ----- 6-12 LB	CONTACT ARRANGEMENT	FULL OVERTRAVEL FORCE ----- 30 LB MAX	S P D T	RELEASE FORCE ----- 4 LB MIN	LOAD	PRETRAVEL ----- .040 MAX	28 VDC	DIFFERENTIAL TRAVEL ----- 0.20 MAX	SEA LEVEL	OVERTRAVEL ----- .250 MIN	50,000 FT.		RES		IND		MOTOR		4		2		4				
CHARACTERISTICS	ELECTRICAL DATA																														
OPERATING FORCE ----- 6-12 LB	CONTACT ARRANGEMENT																														
FULL OVERTRAVEL FORCE ----- 30 LB MAX	S P D T																														
RELEASE FORCE ----- 4 LB MIN	LOAD																														
PRETRAVEL ----- .040 MAX	28 VDC																														
DIFFERENTIAL TRAVEL ----- 0.20 MAX	SEA LEVEL																														
OVERTRAVEL ----- .250 MIN	50,000 FT.																														
	RES																														
	IND																														
	MOTOR																														
	4																														
	2																														
	4																														

- NOTES
- SWITCH SEALED PER MIL-PRF-8805 SYMBOL 3
 - CIRCUIT DIAGRAM, CATALOG LISTING AND DATE CODE ARE SHOWN ON NAMEPLATE
- 3 WIRE LEADS COLOR CODED TO SHOW LEAD IDENTIFICATION
- 4 HARDWARE MAY BE PACKAGED UNASSEMBLED PER MIL-PRF-8805