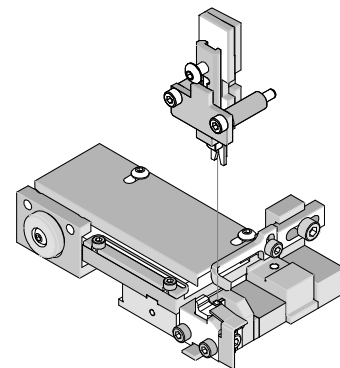




## T2 Terminator Tooling Specification Sheet Part No. 63911-2900



### FEATURES

- It is ideally suited for mid-volume bench operations
- This terminator can be installed in the TM42 and the TM40 press or Base Unit adapter for 3BF press
- Quick punch removal with the push of a button for fast and easy tooling change
- Track adjustment capabilities in the T2 Terminators for improved control of the bell mouth size and cutoff tab length
- T2 Terminator has standardized tooling with the Molex FineAdjust Applicator which will reduce your inventory requirements

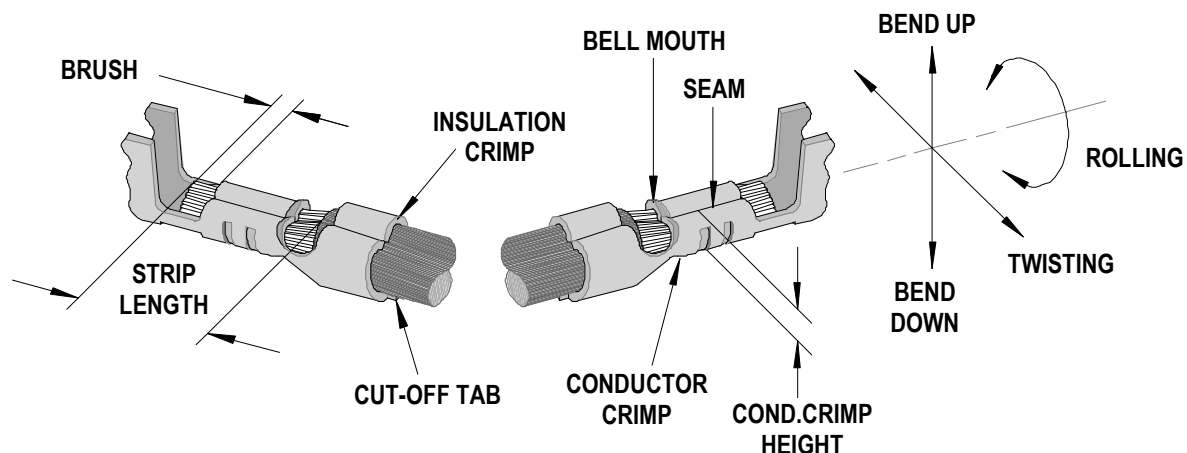
### SCOPE

Products: Sabre™ Flat Blade Crimp Terminal (2) 20 AWG, UL1007 wires.

Terminal Series No.	Terminal Order No.	Wire Size		Insulation Diameter		Strip Length	
		AWG	mm <sup>2</sup>	mm	In.	mm	In.
43374	43374-5001	(2) 20	(2) 0.50	1.70-1.80	.067-.071	3.96-5.54	.156-.218
43375	43375-5001	(2) 20	(2) 0.50	1.70-1.80	.067-.071	3.96-5.54	.156-.218

Note: Terminal will accommodate UL1007 wires.  
For UL1015 wires use Applicator 63911-3000.

### DEFINITION OF TERMS



The above terminal drawing is a generic terminal representation. It is not an image of a terminal listed in the scope.

### CRIMP SPECIFICATION

Terminal Series No.	Bell mouth		Cut-off Tab Maximum		Conductor Brush Maximum	
	mm	In.	mm	In.	mm	In.
43374	0.20-0.50	.008-.020	0.30	.012	0.76	.030
43375						

Terminal Series No.	Bend up Bend down		Twist	Roll	Punch Width (Ref)				Seam
	Degree (Max)				Degree (Max)		Conductor		
	mm	In	mm	In	mm	In	mm	In	
43374	3	3	4	8	2.50	.098	3.40	.134	Seam shall not be open and no wire allowed out of the crimping area
43375									

After crimping, the conductor profile should measure the following.

Terminal Series No.	Wire Size		Conductor Crimp Height		Insulation Crimp Height (Ref)		Pull Force Minimum	
	AWG	mm <sup>2</sup>	mm	In.	mm	In.	N	Lb.
43374	(2) 20	(2) 0.50	1.23-1.31	.048-.051	3.00-3.20	.118-.125	57.0	13.00
43375	(2) 20	(2) 0.50	1.23-1.31	.048-.051	3.00-3.20	.118-.125	57.0	13.00

Pull Force should be measured with no influence from the insulation crimp.  
 The above specifications are guidelines to an optimum crimp.

**PARTS LIST**

<b>T2 Terminator 63911-2900</b>				
<b>Item</b>	<b>Order No</b>	<b>Engineering No.</b>	<b>Description</b>	<b>Quantity</b>
<b>Perishable Tooling</b>				
	63911-2970	63911-2970	Tool Kit (All "Y" Items)	REF
1	63444-2513	63444-2513	Conductor Punch	1 Y
2	63445-2562	63445-2562	Conductor Anvil	1 Y
3	63454-0094	63454-0094	Insulation Punch	1 Y
4	63445-3432	63445-3432	Insulation Anvil	1 Y
5	63443-0035	63443-0035	Front Cut-Off Plunger	1 Y
6	63443-0036	63443-0036	Front Plunger Retainer	1 Y
<b>Other Components</b>				
7	11-18-4083	60707-8	Feed Guide	1
8	63443-0009	63443-0009	Scrap Chute	1
9	63443-0024	63443-0024	Key	1
10	63443-0085	63443-0085	Wire Stop L-Bracket	1
11	63443-0090	63443-0090	Wire Stop	1
12	63443-1719	63443-1719	18.90mm Spacer	1
13	63443-2215	63443-2215	15.00mm Spacer	1
14	63443-2302	63443-2302	3.10mm Spacer	1
15	63443-2801	63443-2801	Front Plunger Striker	1
16	63443-2913	63443-2913	Wire Hold Down Plunger	1
17	63443-6013	63443-6013	Rear Cover	1
18	63443-7201	63443-7201	Spring Cover	1
19	63600-1057	63600-1057	Striker Plunger Spring	1
20	63600-2972	63600-2972	Collar	2
21	63700-0539	63700-0539	Cut-Off Plunger Spring	1
<b>Frame</b>				
22	63800-8500	63800-8500	T2 Terminator	1
<b>Hardware</b>				
23	N/A	N/A	M3 by 6 Long SHCS	2**
24	N/A	N/A	M3 by 6 Long FHCS	1**
25	N/A	N/A	M4 by 6 Long SHCS	2**
26	N/A	N/A	M4 by 12 Long BHCS	2**
27	N/A	N/A	M4 by 14 Long SHCS	2**
28	N/A	N/A	M4 by 30 Long SHCS	2**
29	N/A	N/A	M4 by 50 Long SHCS	2**
30	N/A	N/A	M5 by 12 Long SHCS	1**
31	N/A	N/A	#10-32 by 3/8" Long BHCS	1**
** Available from an industrial supply company such as MSC (1-800-645-7270).				

### Assembly Drawing

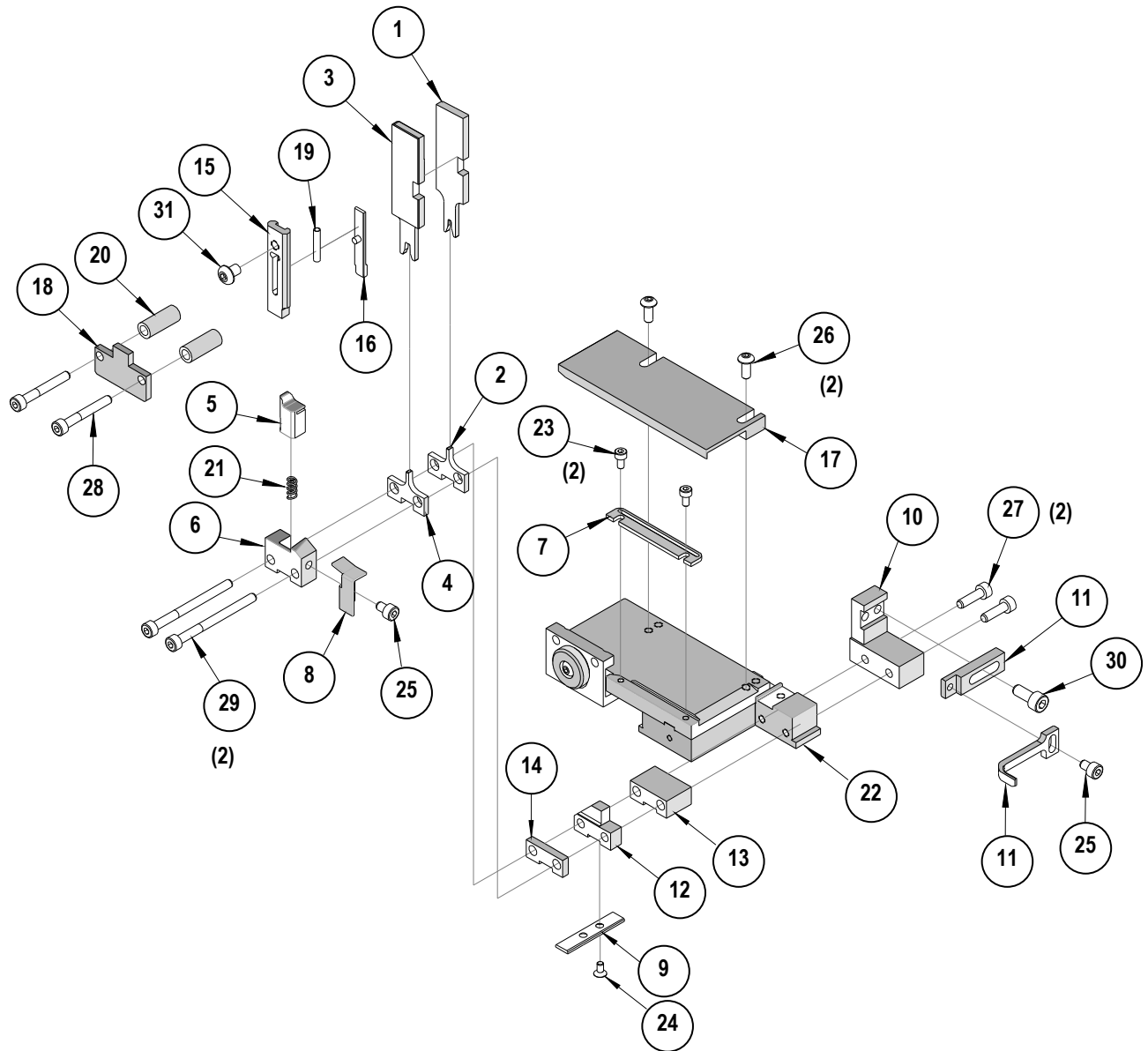


Figure 1

## NOTES

Depending on the press vintage a feed finger assembly is supplied with the T2 Terminator.

1. To remove the existing feed finger assembly loosens the M4 x 10 mm set screw in the feed lever.
2. Select T2 Feed finger assembly from Terminator box.
3. Insert a screwdriver into the slot behind the feed lever and force the feed arm spring to the right.
4. Slide the T2 feed finger shaft for TM42 (11-40-5307) or (11-40-0123) for TM40 /Base Unit into the feed lever and to the left of the feed arm spring.
5. Release the feed arm spring.
6. Position feed finger for selected product. (Refer to Figure 5.1 in the T2 Manual).

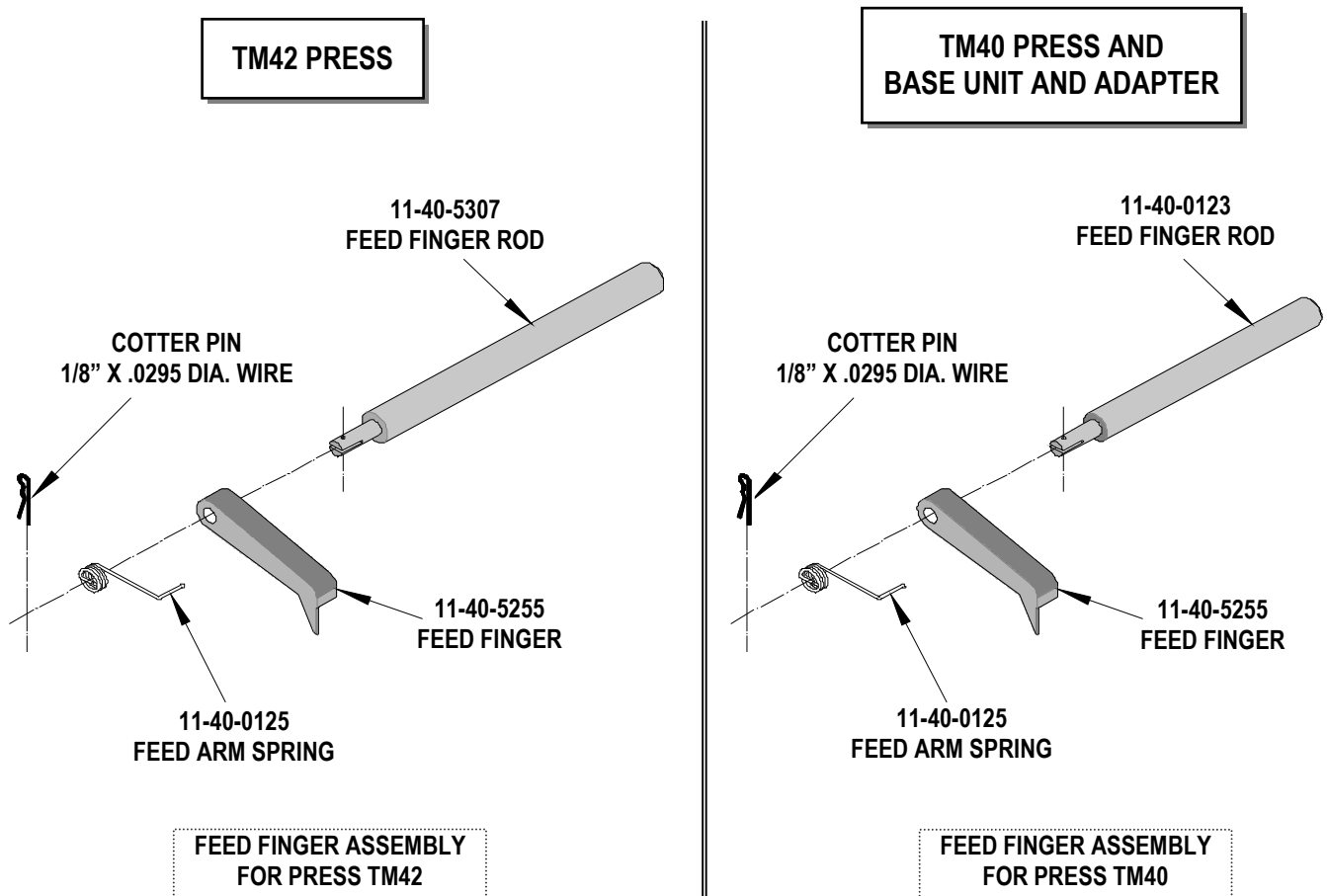


Figure 2

## NOTES

1. Molex recommends an extra perishable tooling kit be maintained at your facility.
2. Verify tooling alignment by manually cycling the press before crimping under power. Check that all screws are tight.
3. Slugs, Terminals, Dirt and Oil should be kept clear of work area.
4. This Terminator should be only used in a Molex TM42, TM40, or 3BF Press with a Base Unit adaptor.
5. Wear safety glasses at all times.
6. For recommended maintenance refer to the TM40, TM42 Manual.

**CAUTION:** To prevent injury never operate this Terminator without the guards supplied with the press or in place. Reference the TM42 press manufacturer's instruction manual.

**CAUTION:** Molex crimp specifications are valid only when used with Molex terminals, applicators and tooling.

**Americas Headquarters**  
Lisle, Illinois 60532 U.S.A.  
1-800-78MOLEX  
amerinfo@molex.com

**Far East North Headquarters**  
Yamato, Kanagawa, Japan  
81-462-65-2324  
feninfo@molex.com

**Far East South Headquarters**  
Jurong, Singapore  
65-6-268-6868  
fesinfo@molex.com

**European Headquarters**  
Munich, Germany  
49-89-413092-0  
eurinfo@molex.com

**Corporate Headquarters**  
2222 Wellington Ct.  
Lisle, IL 60532 U.S.A.  
630-969-4550  
Fax: 630-969-1352

Visit our Web site at <http://www.molex.com>