

# Membrane Position Sensor




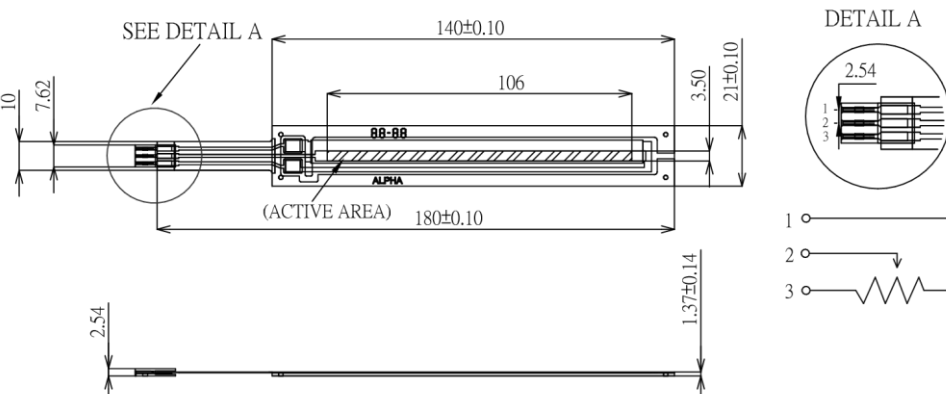
100mm Active Length

## Application

✓ IoT and Logistics, Industrial and many others.

## Feature


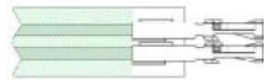
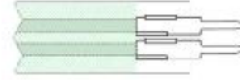

✓ Compact with Rigid Substrate

Order Code	Outline Drawing
MAT100-B□□K-331-A01 	

## SPECIFICATION

MODEL	MAT100-B□□K-331-A01
POSITION LINEARITY, INDEPENDENT	±3%
RESISTANCE TOLERANCE	±20%
ACTIVE LENGTH	106mm
POWER RATING	1 Watt max. @25°C
LIFE CYCLE(WITHOUT FAILURE)	>0.5 Million
OPERATING TEMPERATURE	-20°C to +70°C
IP RATING	IP65
HUMIDITY	No affect @ 95% RH, 4hrs<50°C

## CONNECTOR OPTIONS

Bear Tail	Female Contacts	Solder Tabs (pin)	Female Contact with Housing
			

Design and specifications presented here are for the standard parts only. Please kindly contact us for your special requests and ask for the current technical specifications before purchase and/or use.

# Mouser Electronics

Authorized Distributor

Click to View Pricing, Inventory, Delivery & Lifecycle Information:

[Alpha \(Taiwan\):](#)

[MAT100-B4K-331-A01](#)