

AC 100 NR

EC axial fan



ebm-papst St. Georgen GmbH & Co. KG

Hermann-Papst-Str. 1

D-78112 St. Georgen

Phone +49 (0) 7724 81-0

Fax +49 (0) 7724 81-1309

info2@de.ebmpapst.com

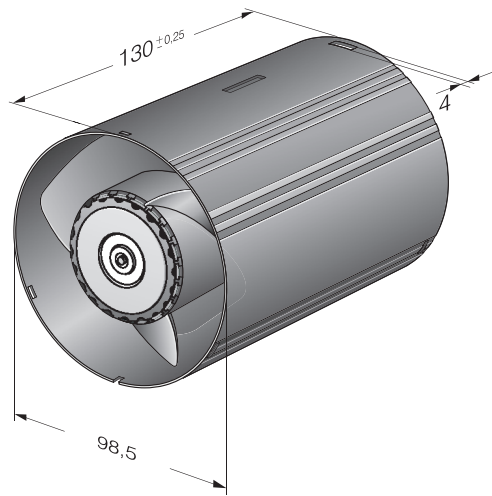
www.ebmpapst.com



Technical description

Weight	0.40 kg
Dimensions	98.50 x 130 mm
Airflow direction	Intake over struts
Direction of rotation	Clockwise, viewed toward rotor
Service life L10 at 40 °C	70000 h
Service life L10 at maximum temperature	50000 h
Cable	Via 3-pin Europa terminal strip, max. 1.5 mm

Product drawing



Curves

